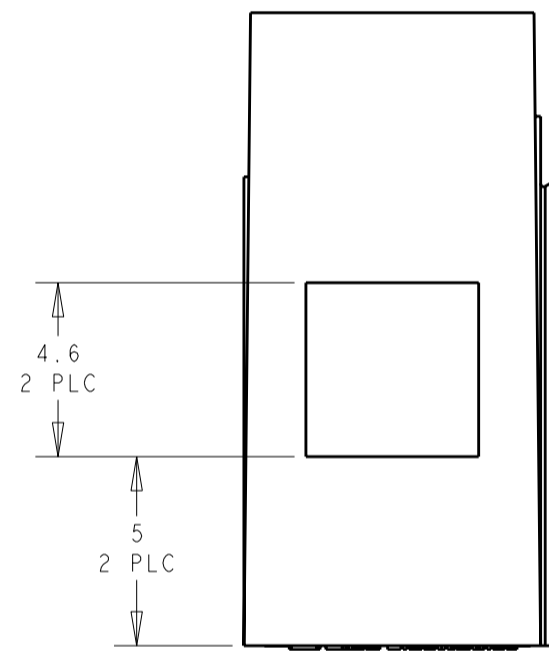
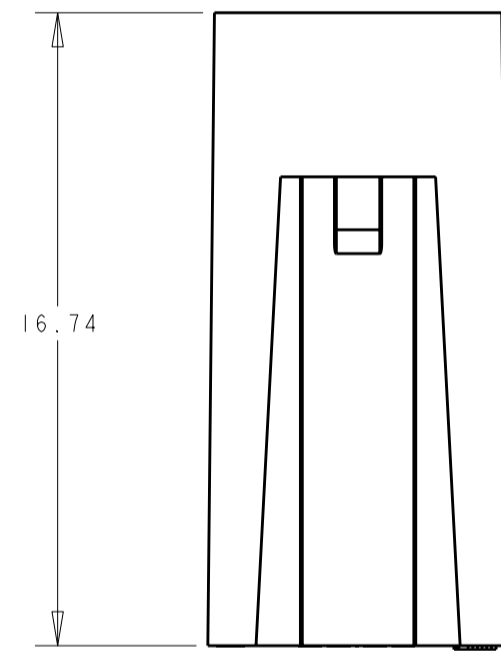
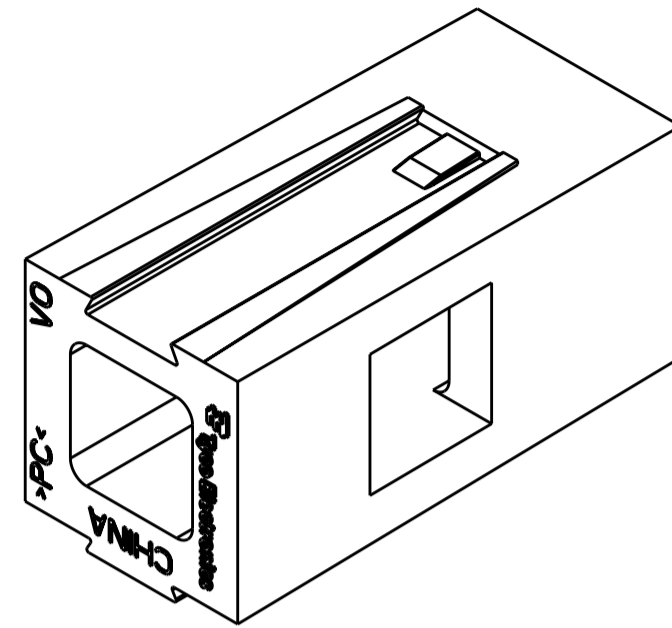
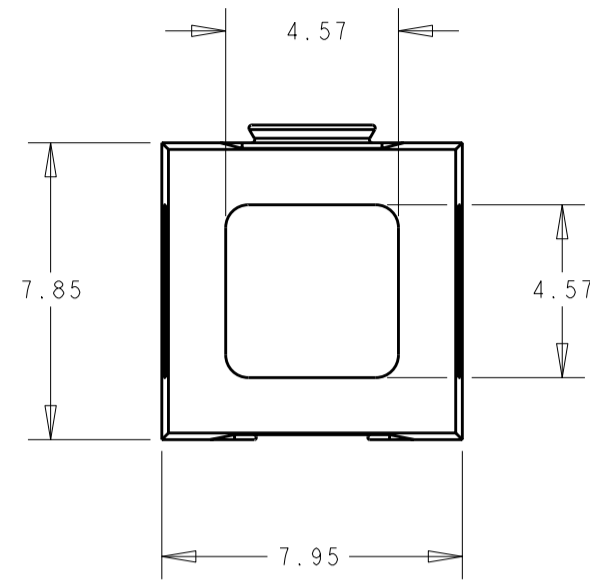
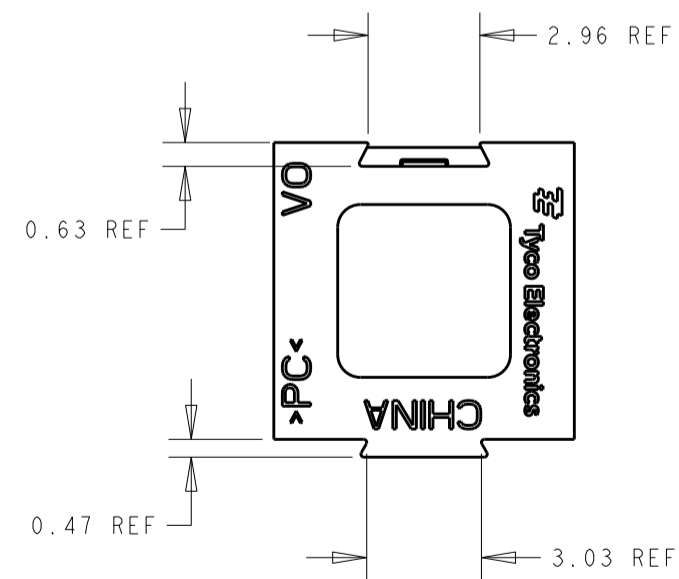


THIS DRAWING IS UNPUBLISHED. RELEASED FOR PUBLICATION 20
 © COPYRIGHT 20 BY TYCO ELECTRONICS CORPORATION. ALL RIGHTS RESERVED.

LOC	DIST	REVISIONS			
P	LTR	DESCRIPTION	DATE	DWN	APVD
FT	0	B	REV PER ECO 10-005750	17MAR10	JR SM



1. MATERIAL: POLYCARBONATE, UL 94V-0 RATED, COLOR: RED.
2. IT IS RECOMMENDED THAT POWER PRODUCT MOUNTING WINGS BE USED IN PAIRS.
3. POWER PRODUCT CONNECTORS AND HARDWARE NOT INCLUDED.



1445960-1
PART NUMBER

THIS DRAWING IS A CONTROLLED DOCUMENT FOR TYCO ELECTRONICS CORPORATION. IT IS SUBJECT TO CHANGE AND THE CONTROLLING ENGINEERING ORGANIZATION SHOULD BE CONTACTED FOR THE LATEST REVISION.		DWN B. HAYMAKER 12NOV01	Tyco Electronics Harrisburg, PA 17105-3608	
DIMENSIONS: mm		CHK K. KETELSLEGER 25JAN02	NAME MOUNTING WING, 15/30/45A SINGLE POLE POWER PRODUCT	
TOLERANCES UNLESS OTHERWISE SPECIFIED: 0 PLC ±0.13 1 PLC ±0.13 2 PLC ±0.13 3 PLC ± 4 PLC ± ANGLES ±1 FINISH		APVD K. KETELSLEGER 25JAN02	PRODUCT SPEC -	RESTRICTED TO -
MATERIAL -		APPLICATION SPEC -	WEIGHT -	SIZE A200779
CUSTOMER DRAWING		SCALE 5:1	DRAWING NO C-1445960	SHEET 1 OF 1 REV B

单击下面可查看定价，库存，交付和生命周期等信息

[>>TE Connectivity\(泰科\)](#)