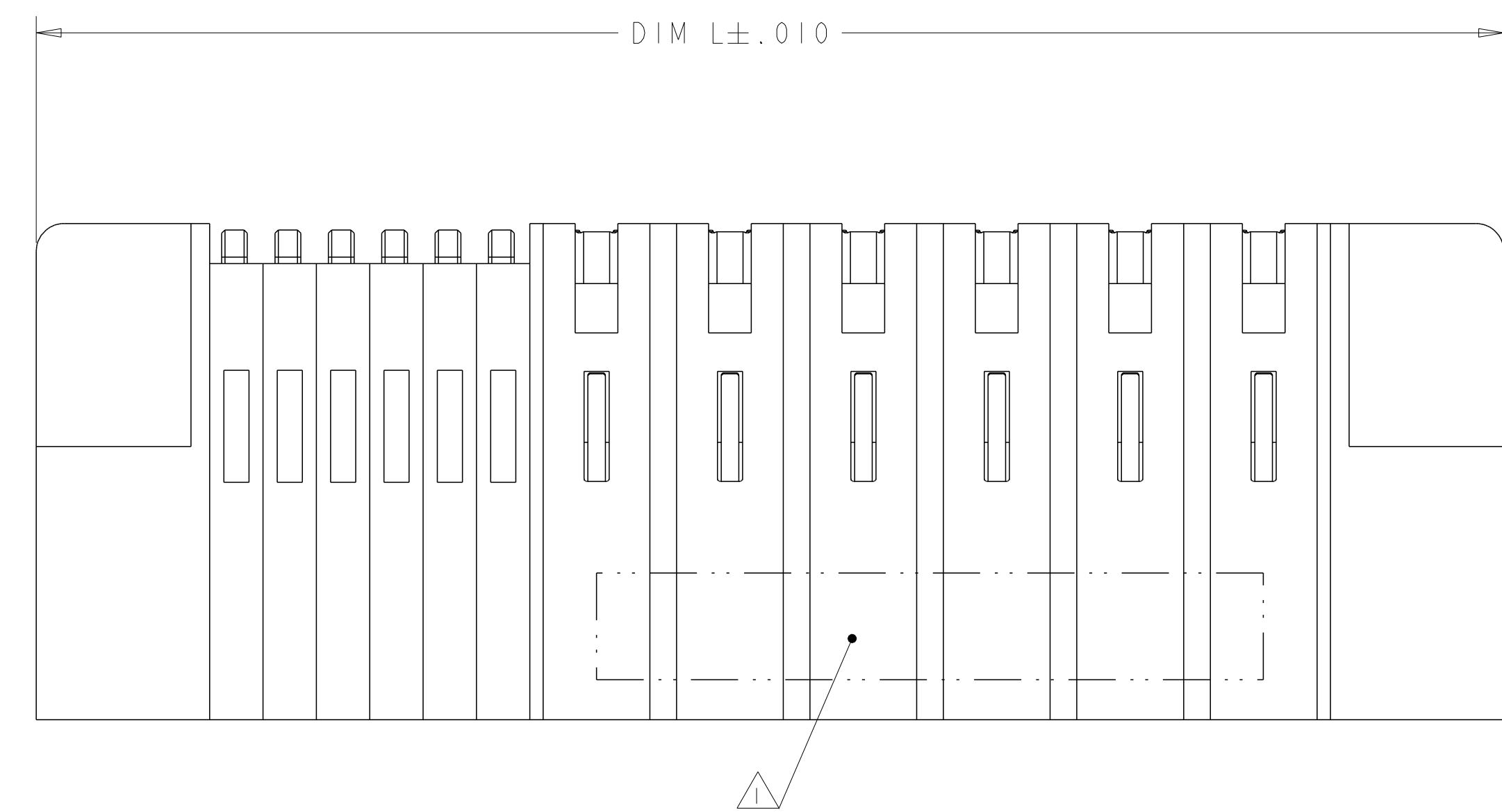
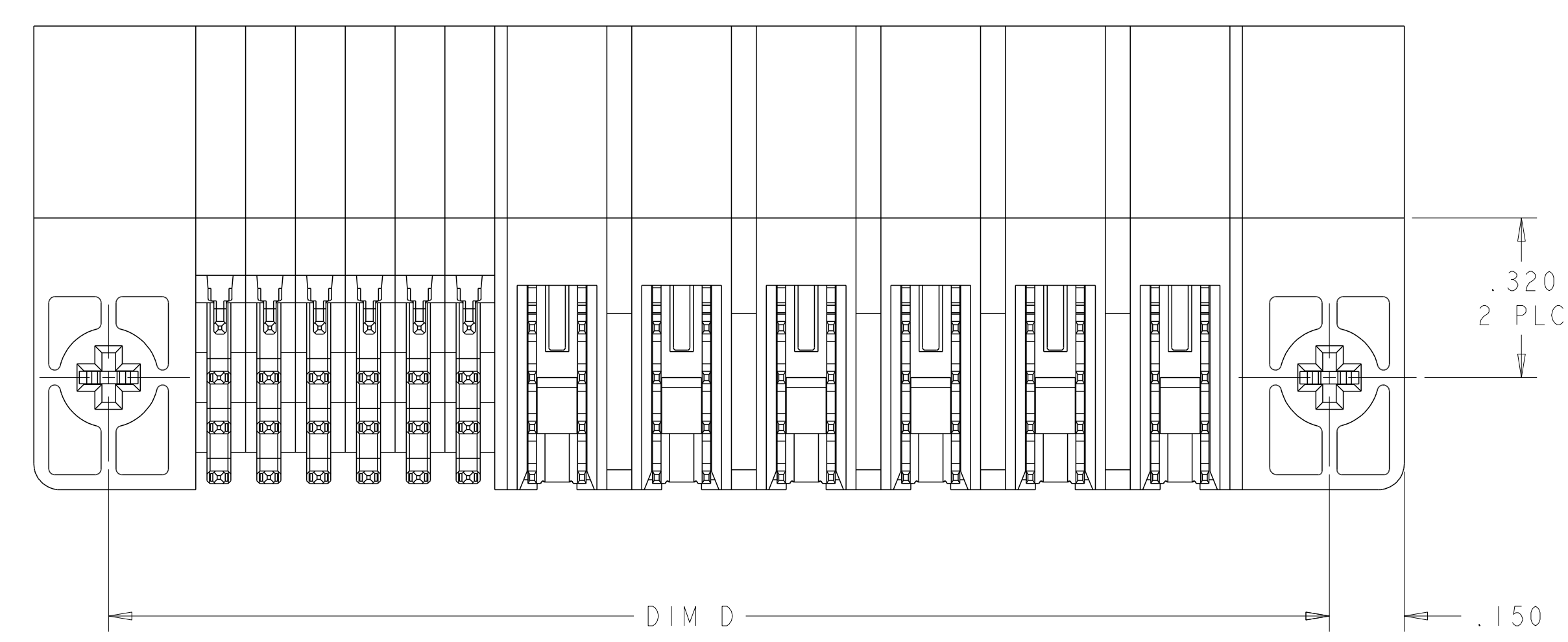
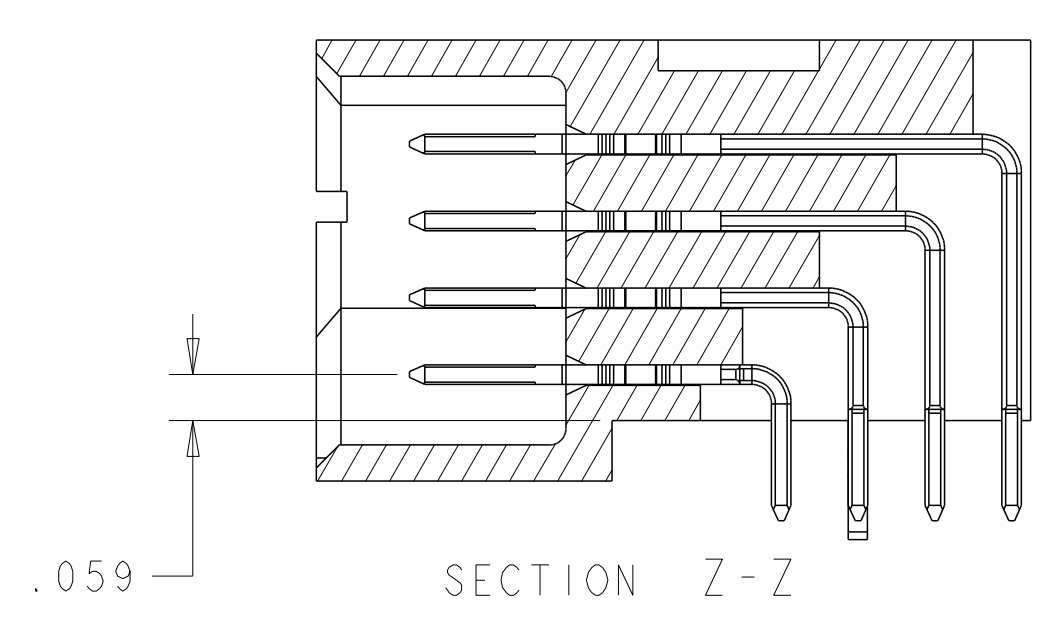
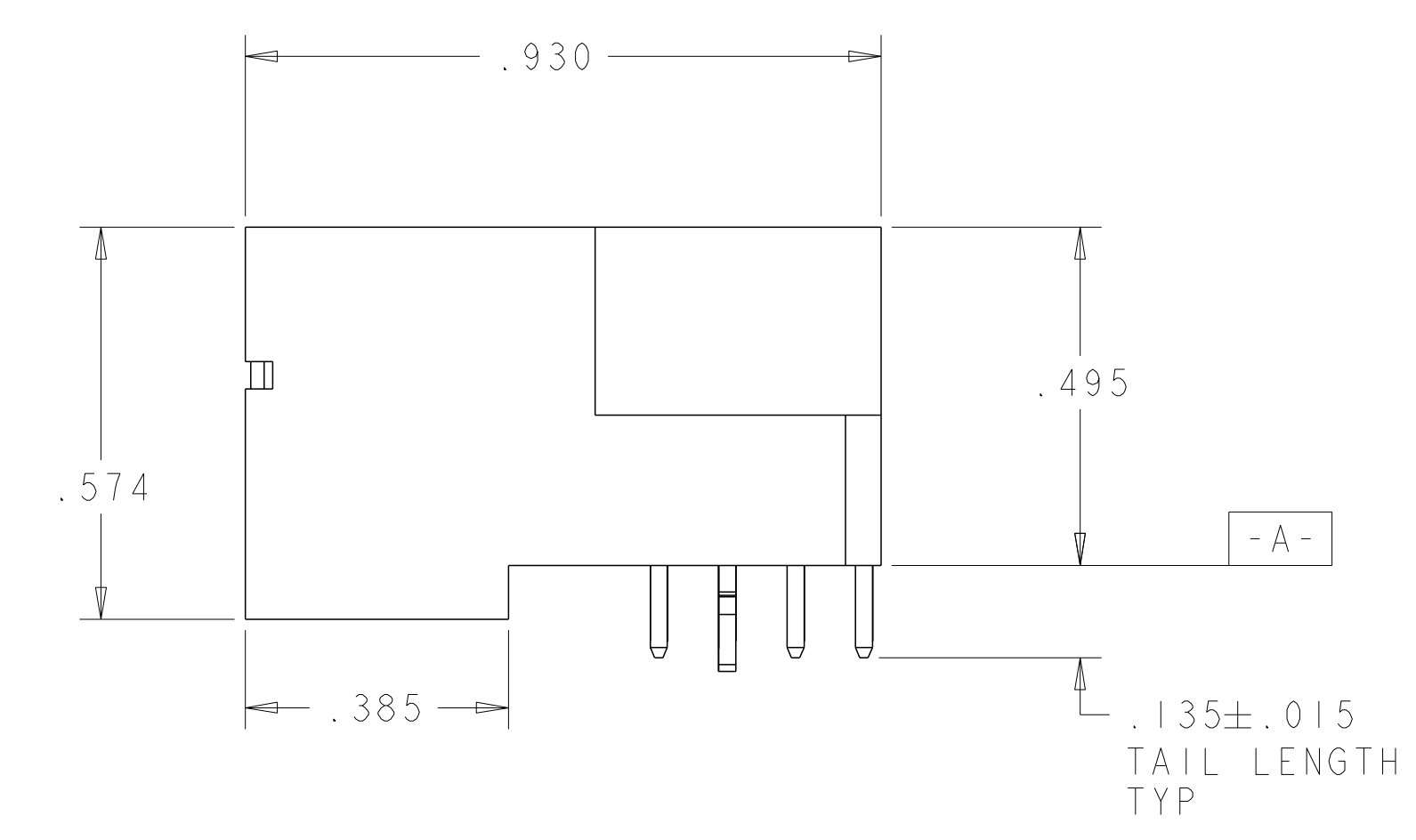
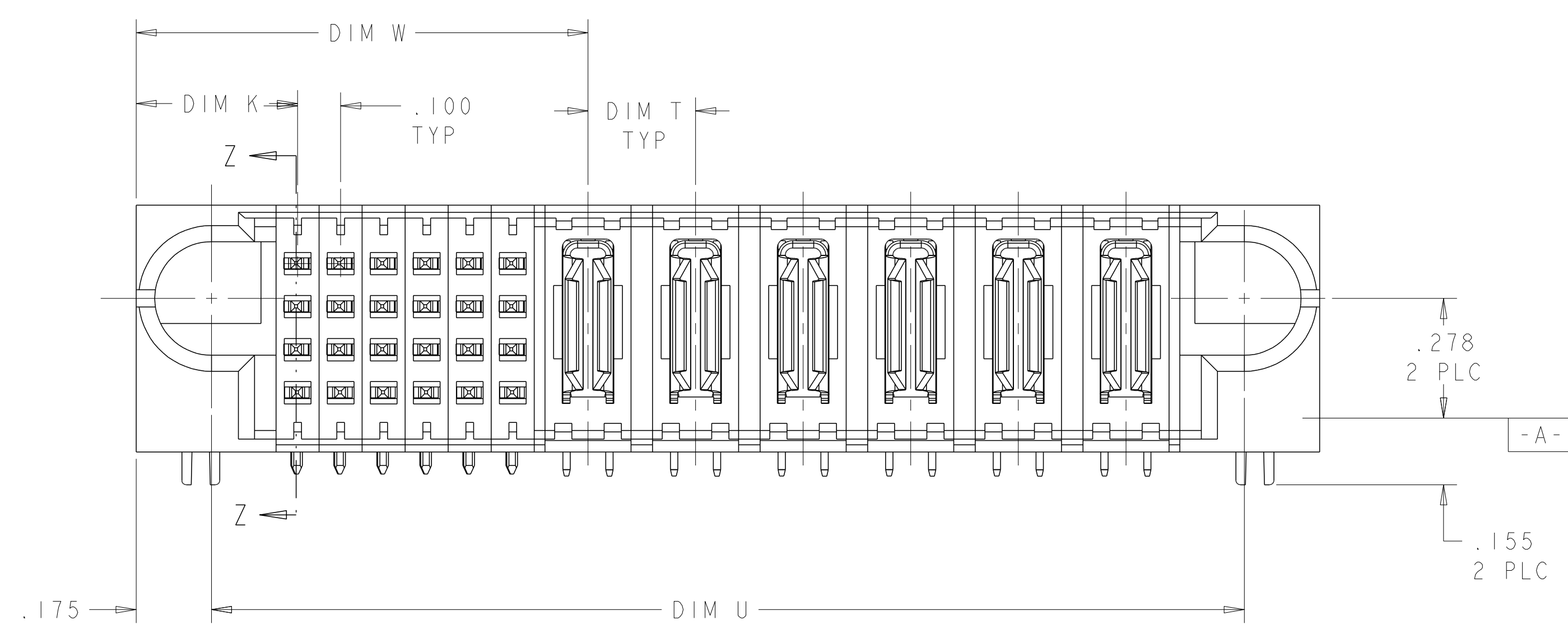


LOC		DIST		REVISIONS			
GP	00	P	LTR	DESCRIPTION	DATE	DWN	APVD
		D		REV PER ECR-12-003619	27FEB2012	CZ	SZ
		D1		ADDED NEW DASH NUMBER 1-1	04DEC2017	CZ	SZ



- 1 PART NUMBER, AND DATE CODE MARKED IN AREA SHOWN.
- 2 MATERIAL:  
 HOUSING - GLASS FILLED HIGH TEMP THERMO PLASTIC, UL94 V-0  
 SIGNAL CONTACT - COPPER ALLOY  
 POWER CONTACT - HIGH CONDUCTIVITY COPPER ALLOY
- 3 CONTACT PLATING: NOBLE METAL PLATING ON CONTACT FUNCTIONAL AREA OF POWER AND SIGNAL CONTACTS.
- 4 MECHANICAL CONNECTOR KEEP OUT ZONE.
- 5 DATUM AND BASIC DIMENSIONS ESTABLISHED BY CUSTOMER.
- 6 PCB - ALL HOLE DIAMETERS ARE FINISHED HOLE SIZES.
- 7 PCB - .0453 ± .0010 DRILLED HOLES PLATED WITH .0003 MIN Sn OVER .001 TO .003 Cu PLATING TO ACHIEVE A .040 HOLE.
- 8 VARIABLE DIMENSION, SEE VIEW ON SHEET 4



THIS DRAWING IS A CONTROLLED DOCUMENT. DWN R. GBZYBOWSKI 13JUN05  
 CHN M. PERCHERKE 13JUN05

**STE** TE Connectivity

NAME: RIGHT ANGLE HEADER ASSEMBLY W/GUIDES DUAL BEAM XL

APVD: M. PERCHERKE  
 PRODUCT SPEC: 108-1973  
 APPLICATION SPEC: 114-13038

SIZE: A1 CAGE CODE: 100779 DRAWING NO: 6600120 RESTRICTED TO: -

MATERIAL: 2 FINISH: 3

CUSTOMER DRAWING SCALE: 4:1 SHEET 1 OF 5 REV D1

8

7

6

5

4

3

2

1

THIS DRAWING IS UNPUBLISHED. RELEASED FOR PUBLICATION 20  
 © COPYRIGHT 20 BY - ALL RIGHTS RESERVED.

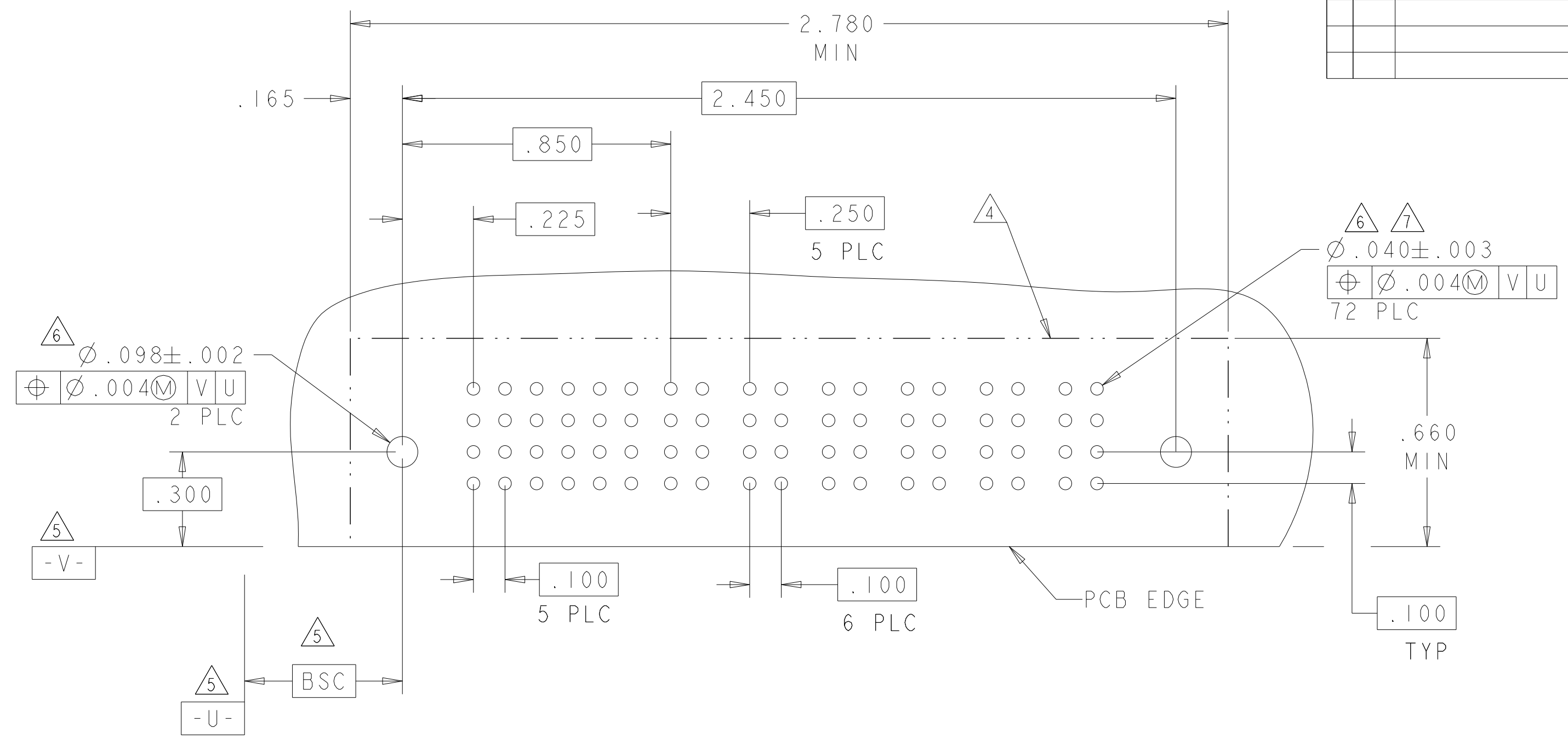
LOC	DIST	REVISIONS			
P	LTR	DESCRIPTION	DATE	DWN	APVD
-	-	SEE SHEET 1	-	-	-

.250	2.450	2.400	1.050	.375	2.750	24S + 6P	1-6600120-1
.200	3.375	3.325	1.050	.375	3.675	24S + 12HDP	1-6600120-0
.250	2.450	2.400	1.050	.375	2.750	24S + 6P	6600120-9
.250	3.450	3.400	1.050	.375	3.750	24S + 10P	6600120-8
.250	3.450	3.400	1.050	.375	3.750	24S + 10P	6600120-3
.250	2.450	2.400	1.050	.375	2.750	24S + 6P	6600120-2
	3.850	3.800	.900	.400	4.150	12S + 11P	6600120-1
DIM T	DIM D	DIM U	DIM W	DIM K	DIM L	DESCRIPTION	PART NUMBER

THIS DRAWING IS A CONTROLLED DOCUMENT.		DWN R. GBZYBOWSKI	13JUN05		TE Connectivity	
DIMENSIONS: INCHES		CHK M. PERCHERKE	13JUN05		NAME RIGHT ANGLE HEADER ASSEMBLY W/GUIDES DUAL BEAM XL	
TOLERANCES UNLESS OTHERWISE SPECIFIED: 0 PLC ± 1 PLC ± 2 PLC ±.01 3 PLC ±.005 4 PLC ±.002 ANGLES ±2°		APVD M. PERCHERKE	PRODUCT SPEC 108-1973	SIZE A1		
MATERIAL	FINISH	APPLICATION SPEC 114-13038	WEIGHT	CAGE CODE 100779	DRAWING NO C=6600120	RESTRICTED TO
CUSTOMER DRAWING				SCALE 4:1	SHEET 2	OF 5

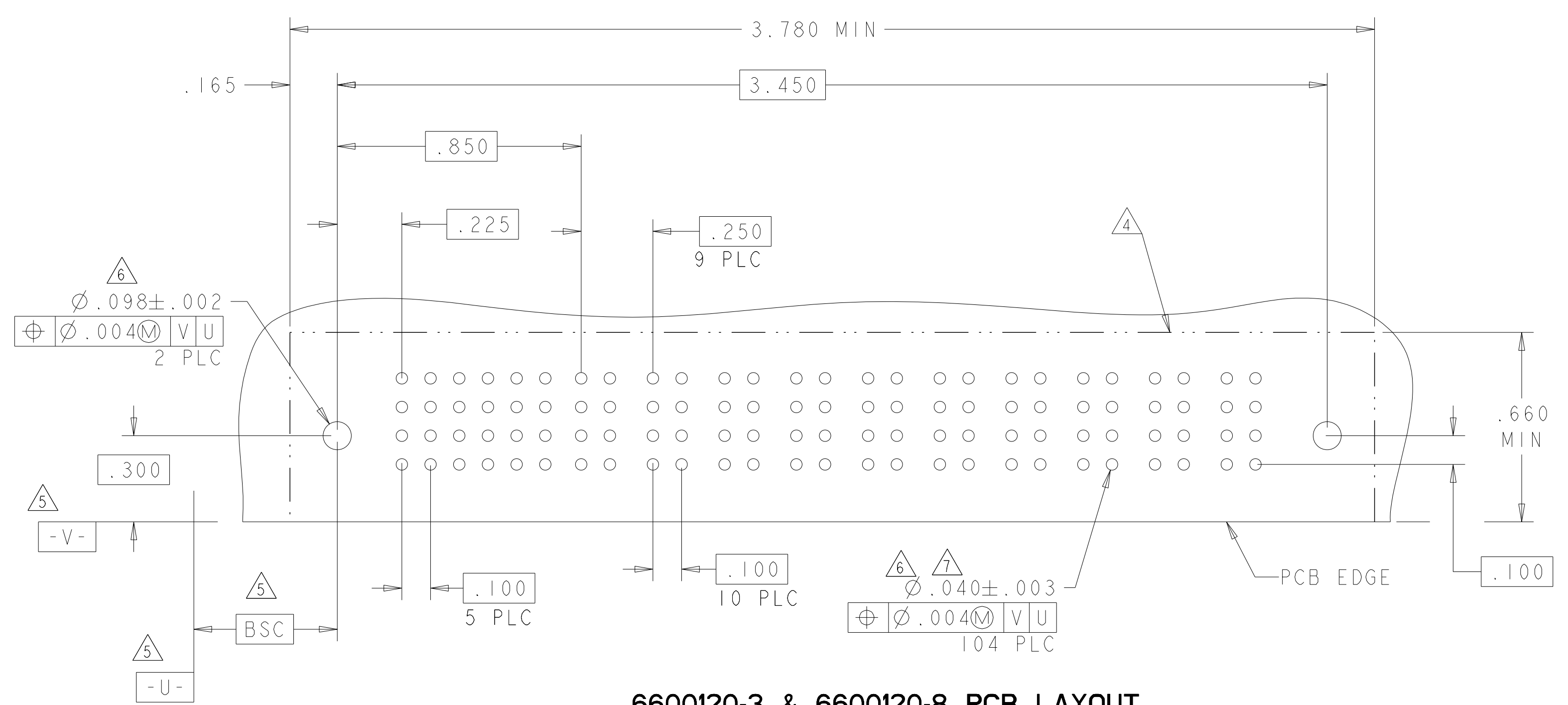
LOC	DIST	REVISIONS			
P	LTR	DESCRIPTION	DATE	DWN	APVD
-	-	SEE SHEET 1	-	-	-

PART NUMBER	ROWS	SIGNAL						POWER							
		1	2	3	4	5	6	P1	P2	P3	P4	P5	P6		
6600120-2	D	J	J	J	J	J	J	PS	PS	PS	PS	PS	PS		
	C	K	K	K	K	K	K								
	B	N	N	N	N	N	N								
	A	S	S	S	S	S	S								
24S + 6P		HD												HD	



PART NUMBER	ROWS	SIGNAL						POWER									
		1	2	3	4	5	6	P1	P2	P3	P4	P5	P6	P7	P8	P9	P10
6600120-3	D	J	J	J	J	J	J	PS	PS	PS	PS	PS	PS	PS	PS	PS	PS
	C	K	K	K	K	K	K										
	B	N	N	N	N	N	N										
	A	S	S	S	S	S	S										
24S + 10P		HD												HD			

PART NUMBER	ROWS	SIGNAL						POWER									
		1	2	3	4	5	6	P1	P2	P3	P4	P5	P6	P7	P8	P9	P10
6600120-8	D	J	J	J	J	J	J	PS	PS	PS	PS	PS	PS	PS	PS	PS	PS
	C	K	K	K	K	F	K										
	B	N	N	N	N	G	N										
	A	H	S	S	S	S	S										
24S + 10P		HD												HD			



6600120-3 & 6600120-8 PCB LAYOUT

E	MLBF	.135	D
F	MLBF	.135	C
G	MLBF	.135	B
H	MLBF	.135	A
J	STD	.135	D
K	STD	.135	C
N	STD	.135	B
S	STD	.135	A
CODE	MATING SEQUENCE	TAIL LENGTH	ROW

PS	.135
CODE	TAIL LENGTH
POWER CONTACT	
SIGNAL CONTACT	

THIS DRAWING IS A CONTROLLED DOCUMENT.

DIMENSIONS:	TOLERANCES UNLESS OTHERWISE SPECIFIED:	DWN R. GRZYBOWSKI 13JUN05	CHK M. PERCHERKE 13JUN05	APVD M. PERCHERKE	NAME
INCHES	0 PLC ±.01 1 PLC ±.01 2 PLC ±.01 3 PLC ±.005 4 PLC ±.002	PRODUCT SPEC	108-1973	APPLICATION SPEC	114-13038
MATERIAL	FINISH	REVISIONS	1	2	3
		1	2	3	4

STE TE Connectivity

RIGHT ANGLE HEADER ASSEMBLY W/GUIDES DUAL BEAM XL

SIZE CAGE CODE DRAWING NO. RESTRICTED TO

A100779 C=6600120

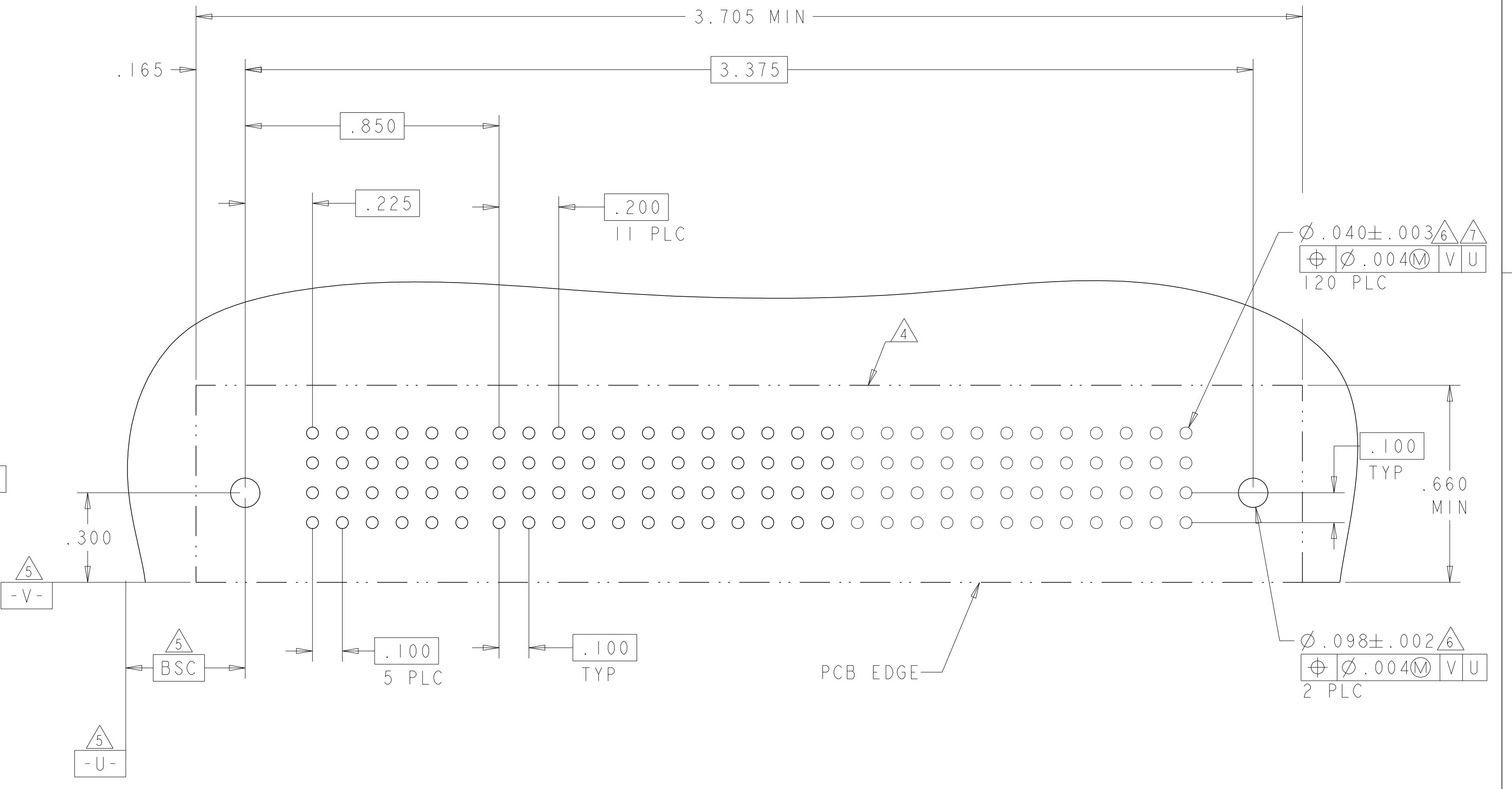
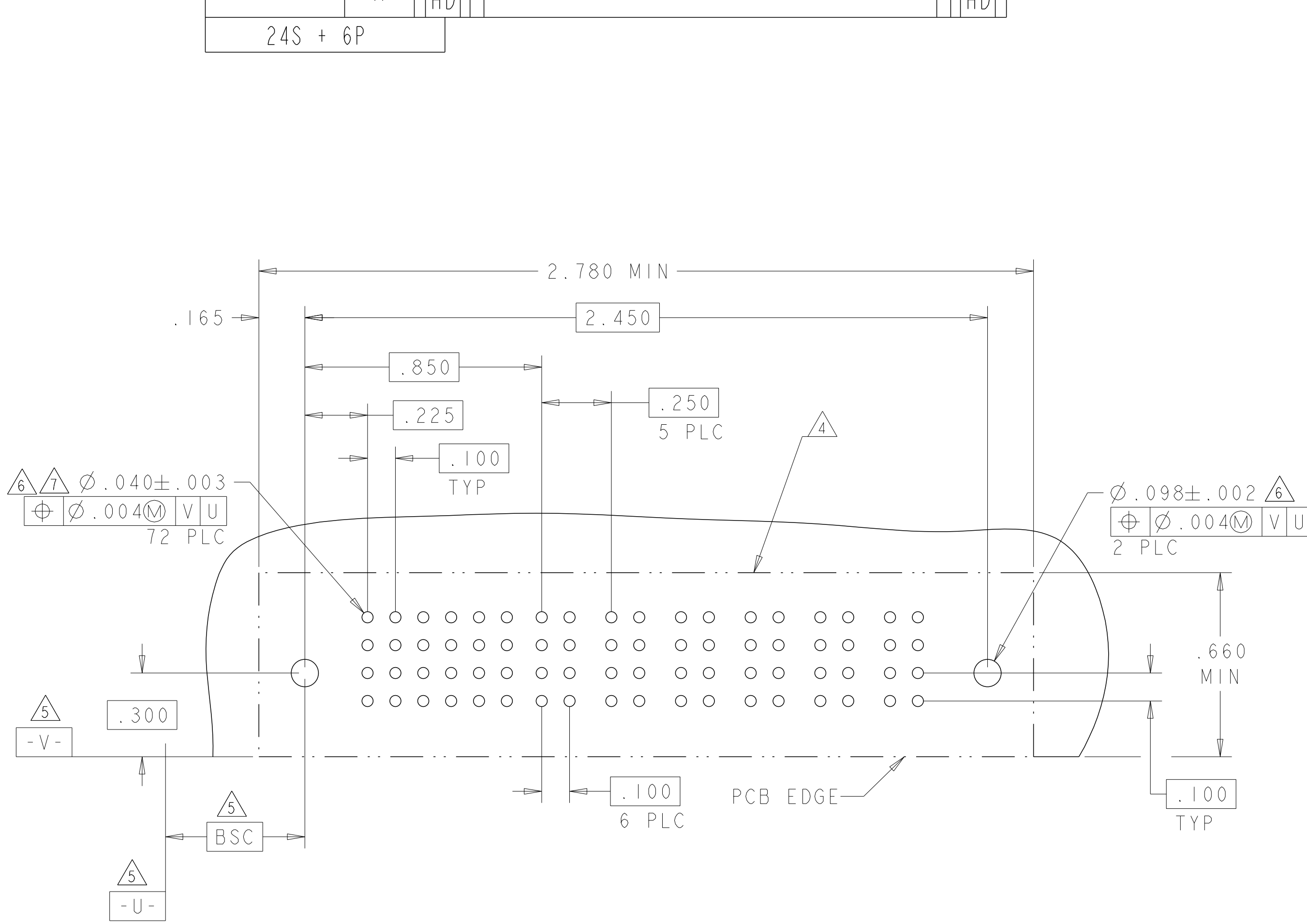
CUSTOMER DRAWING SCALE 4:1 SHEET 3 OF 5 REV D

LOC	DIST	REVISIONS			
P	LTR	DESCRIPTION	DATE	DWN	APVD
-	-	SEE SHEET 1	-	-	-

PART NUMBER	ROWS	SIGNAL						POWER					
		1	2	3	4	5	6	P1	P2	P3	P4	P5	P6
6600120-9	D C B A	J	J	J	J	J	J	PS	PS	PS	PS	PS	PS
		K	K	K	K	F	K						
		N	N	N	N	G	N						
24S + 6P		H	S	S	S	H	S						

PART NUMBER	ROWS	SIGNAL						POWER													
		1	2	3	4	5	6	P1	P2	P3	P4	P5	P6	P7	P8	P9	P10	P11	P12		
1-6600120-0	D C B A	J	J	J	J	J	E	PS	PS	PS	PS	PS	PS	PS	PS	PS	PS	PS	PS	PS	
		K	K	K	F	K	K														
		N	N	N	G	N	N														
24S + 12HDP		S	H	S	H	S	S														

PART NUMBER	ROWS	SIGNAL						POWER					
		1	2	3	4	5	6	P1	P2	P3	P4	P5	P6
1-6600120-1	D C B A	J	J	J	J	J	J	PS	PS	PS	PS	PS	PS
		K	K	K	K	K	K						
		N	N	N	G	N	N						
24S + 6P		S	S	S	S	S	S						



6450120-9 AND 1-6600120-1 PCB LAYOUT

THIS DRAWING IS A CONTROLLED DOCUMENT. DWN R. GBZYBOWSKI 13JUN05  
 CHN M. PERCHERKE 13JUN05

**STE** TE Connectivity

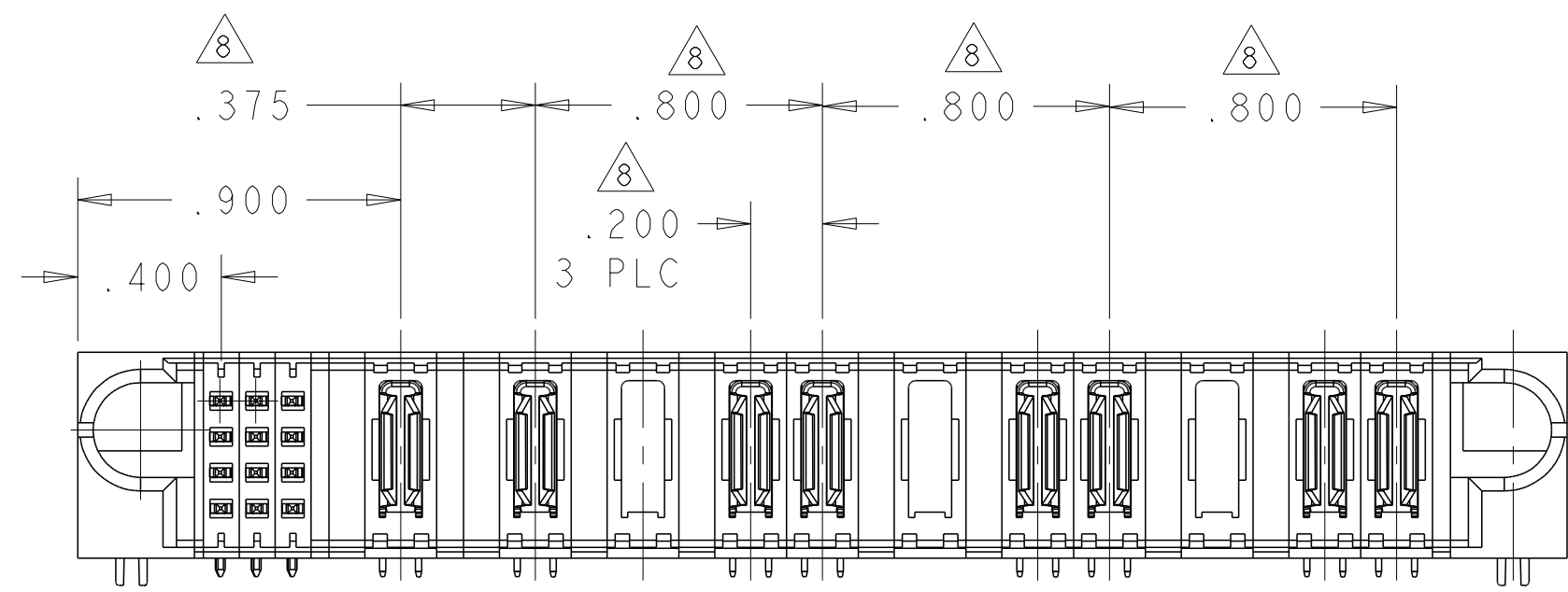
RIGHT ANGLE HEADER ASSEMBLY  
 W/GUIDES  
 DUAL BEAM XL

APVD M. PERCHERKE  
 PRODUCT SPEC 108-1973  
 APPLICATION SPEC 114-13038

SIZE CAGE CODE DRAWING NO. RESTRICTED TO  
 A1 00779 C-6600120

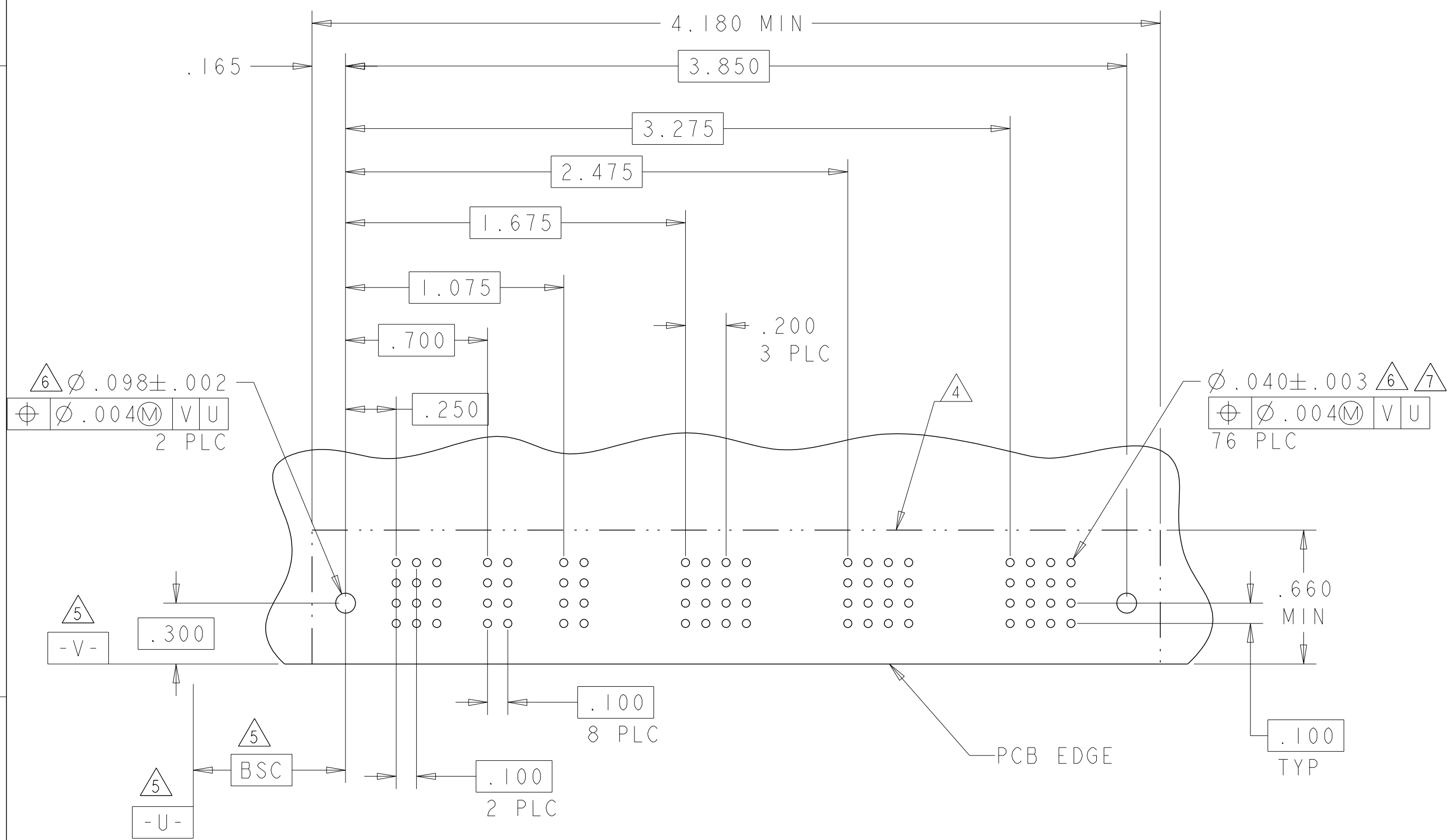
MATERIAL FINISH WEIGHT CUSTOMER DRAWING SCALE 4:1 SHEET 4 OF 5 REV D

LOC	DIST	REVISIONS			
P	LTR	DESCRIPTION	DATE	DWN	APVD
-	-	SEE SHEET 1	-	-	-



PART NUMBER	ROWS	SIGNAL			POWER											
		1	2	3	P1	P2	P3	P4	P5	P6	P7	P8	P9	P10	P11	
6600120-1	D	J	J	J	PS	PS	PS	PS	PS	PS	PS	PS	PS	PS	PS	PS
	C	K	K	K												
	B	N	N	N												
	A	S	S	S												

NO CONTACTS LOADED



THIS DRAWING IS A CONTROLLED DOCUMENT. DWN R. GBZYBOWSKI 13JUN05  
 CHN M. PERCHERKE 13JUN05

**STE** TE Connectivity

NAME: RIGHT ANGLE HEADER ASSEMBLY W/GUIDES DUAL BEAM XL  
 PRODUCT SPEC: 108-1973  
 APPLICATION SPEC: 114-13038

SIZE: A1 CAGE CODE: 100779 DRAWING NO: C-6600120  
 RESTRICTED TO: -

MATERIAL: - FINISH: - WEIGHT: -  
 CUSTOMER DRAWING SCALE: 4:1 SHEET 5 OF 5 REV: D1

单击下面可查看定价，库存，交付和生命周期等信息

[>>TE Connectivity\(泰科\)](#)