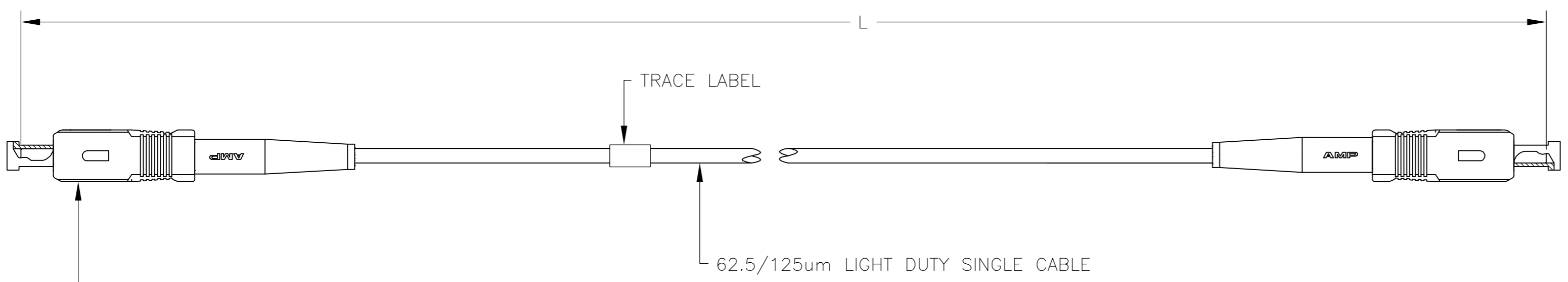


THIS DRAWING IS UNPUBLISHED. RELEASED FOR PUBLICATION  
 © COPYRIGHT BY TYCO ELECTRONICS CORPORATION. ALL RIGHTS RESERVED.

LOC	DIST	REVISIONS			
P	LTR	DESCRIPTION	DATE	DWN	APVD
CE	16	A	RELEASED PER NPR	01 FEB 06	CSV JD

1. DIMENSIONS IN [ ] ARE IN INCHES.
2. MAXIMUM INSERTION LOSS IS 0.5d PLUS CABLE ATTENUATION OF 1.5dB/km AT 1300nm.
3. PRODUCT AND PROCESSING MUST MEET REQUIREMENTS OF THE TYCO ELECTRONICS STANDARD 230-702



3.50	2000±20 [78740±787]	9-5504970-9
1.33	550±5 [21653±197]	9-5504970-8
0.52	12.80±0.15 [504±6]	1-5504970-4
0.51	6.70±0.08 [264±3]	1-5504970-3
0.50	4.00±0.08 [157.5±3.0]	1-5504970-2
0.52	13.72±0.15 [540±6]	1-5504970-1
0.52	12.19±0.15 [480±6]	1-5504970-0
0.52	10.67±0.15 [420±6]	5504970-9
0.51	6.1±0.08 [240±3]	5504970-8
0.53	20±0.3 [787±12]	5504970-7
0.52	15±0.15 [591±6]	5504970-6
0.52	10±0.15 [394±6]	5504970-5
0.51	5±0.08 [197±3]	5504970-4
0.50	3±0.05 [118±2]	5504970-3
0.50	2±0.05 [79±2]	5504970-2
0.50	1±0.05 [39±2]	5504970-1

MAX IL (dB)	L	PART NUMBER
-------------	---	-------------

THIS DRAWING IS A CONTROLLED DOCUMENT.

DWN	C.S.VASU	01 FEB 06	Tyco Electronics Corporation Harrisburg, Pa 17105-3608			
CHK	J.DUNCAN	01 FEB 06				
APVD	J.DUNCAN	01 FEB 06				
PRODUCT SPEC						
APPLICATION SPEC			NAME			
			CABLE ASSY, FIBER OPTIC, 62.5/125µm LDS, AMP SC (NG) TO AMP SC (NG), OPTIMATE			
MATERIAL	FINISH	WEIGHT	SIZE	CAGE CODE	DRAWING NO	RESTRICTED TO
-	-	-	A2	00779	C=5504970	-
CUSTOMER DRAWING			SCALE	SHEET	OF	REV
			NTS	1	1	A

单击下面可查看定价，库存，交付和生命周期等信息

[>>TE Connectivity\(泰科\)](#)