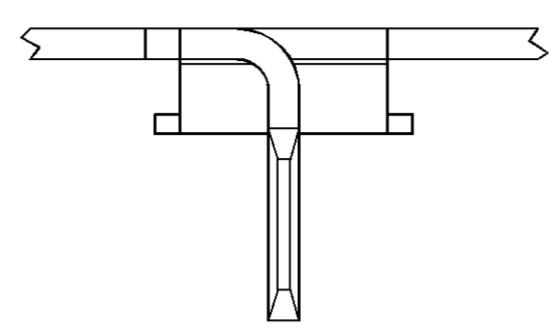
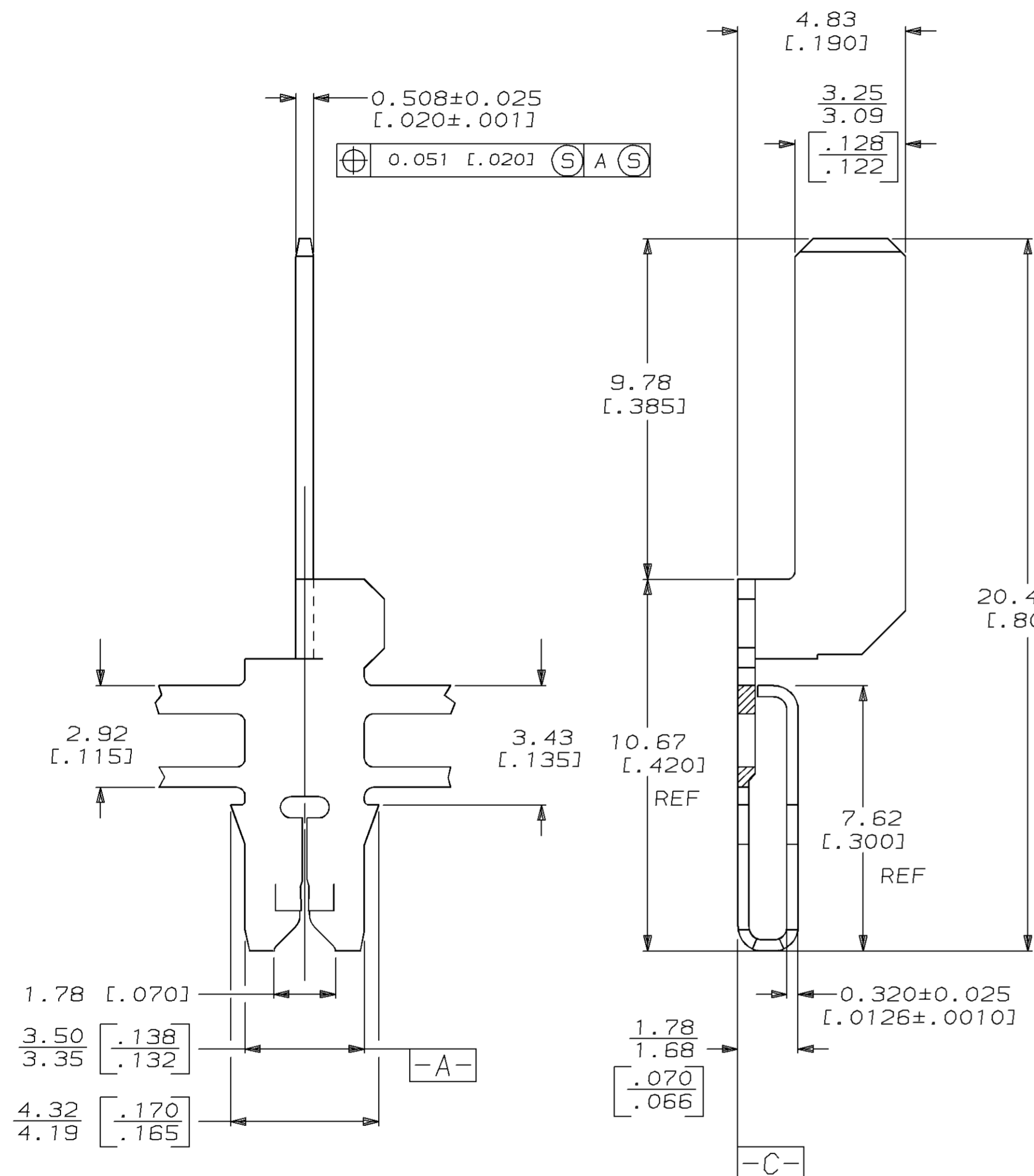
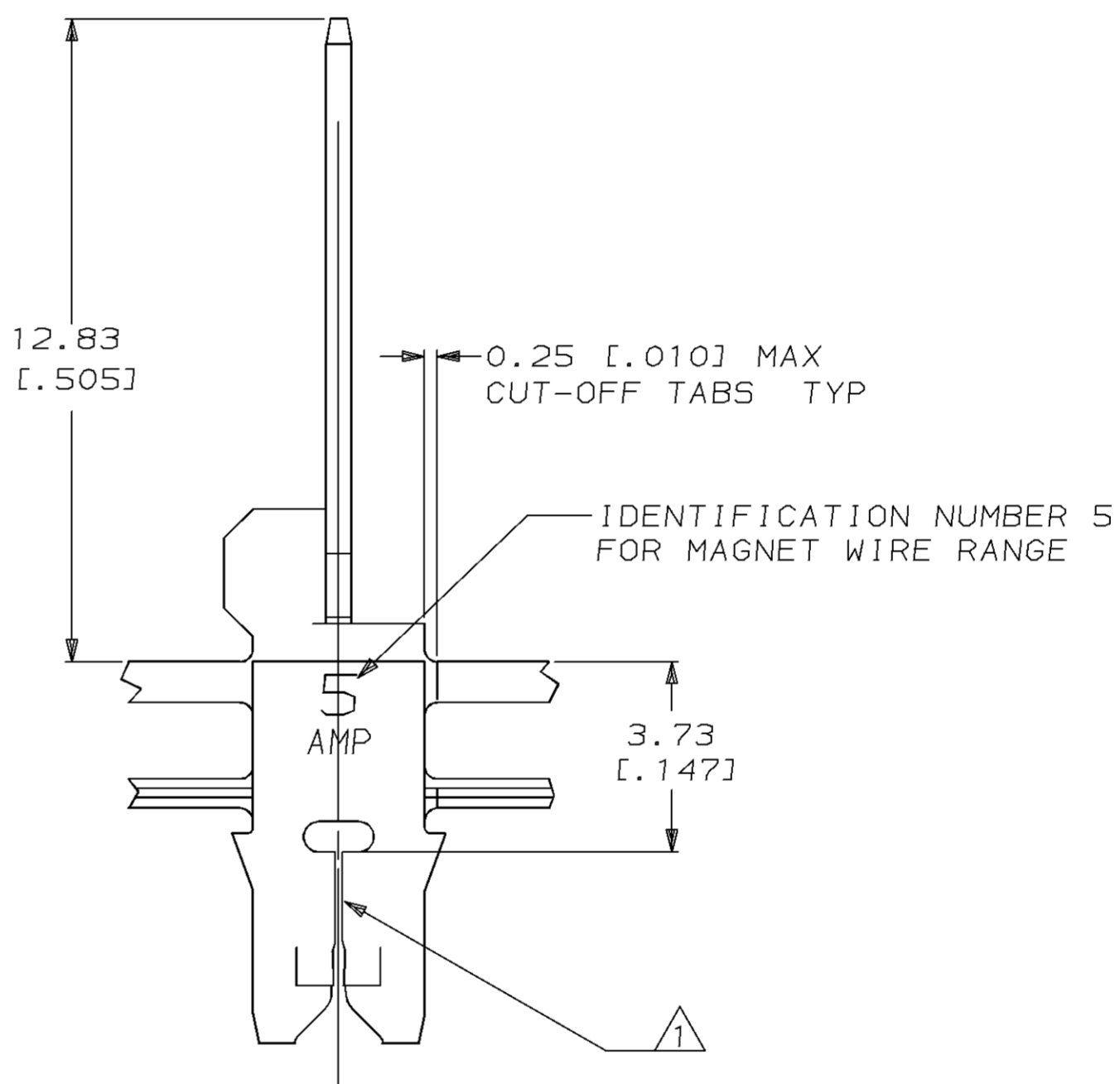


LOC		DIST		P		F		ZONE		LTR		REVISIONS		DATE	APPD
AF	50												DESCRIPTION	11DEC95	RG/NN
												REV PER 0710-0522-95			



- 1 SLOT TERMINATES 0.23-0.32mm [#31-#28] AWG COPPER MAGNET WIRE EITHER SINGLE OR DOUBLE OF THE SAME SIZE.
- 2 CONTINUOUS STRIP ON REELS WITH TERMINALS LOCATED ON 8.38±0.08 [.330±.003] CENTERS.



63807-1
PART NO

DO NOT SCALE PRINT. UNLESS SPECIFIED DIMENSIONS IN mm [INCHES] TOLERANCES ON:		DR 19/SEP/94 MICHAEL S. FEHER		AMP Incorporated Harrisburg, PA 17105-3608	
2 PLC DEC ± 0.25 [.010]		CHK 21/SEP/94 JEFF R. RUTH			
3 PLC DEC ± -		APPD 21/SEP/94 NELSON E. NEFF		NAME	
ANGLES ± -		APPD 21/SEP/94 TERRY L. SHUTTER		TERMINAL, TAB, 3.18 [.125], MAG-MATE™	
MATERIAL		PRODUCT SPEC		SIZE	
#4M PRE-MILLED BRASS		108-2012		CAGE CODE	
FINISH		APPLICATION SPEC		DRAWING NO	
0.002032 [.000080]		114-2046		C=63807	
MIN TIN PER MIL-T-10727		WEIGHT -		SCALE 8:1	
				SHEET 1 OF 1	

THIS DRAWING IS A CONTROLLED DOCUMENT FOR AMP INCORPORATED. IT IS SUBJECT TO CHANGE AND THE CONTROLLING ENGINEERING ORGANIZATION SHOULD BE CONTACTED FOR THE LATEST REVISION.

单击下面可查看定价，库存，交付和生命周期等信息

[>>TE Connectivity\(泰科\)](#)