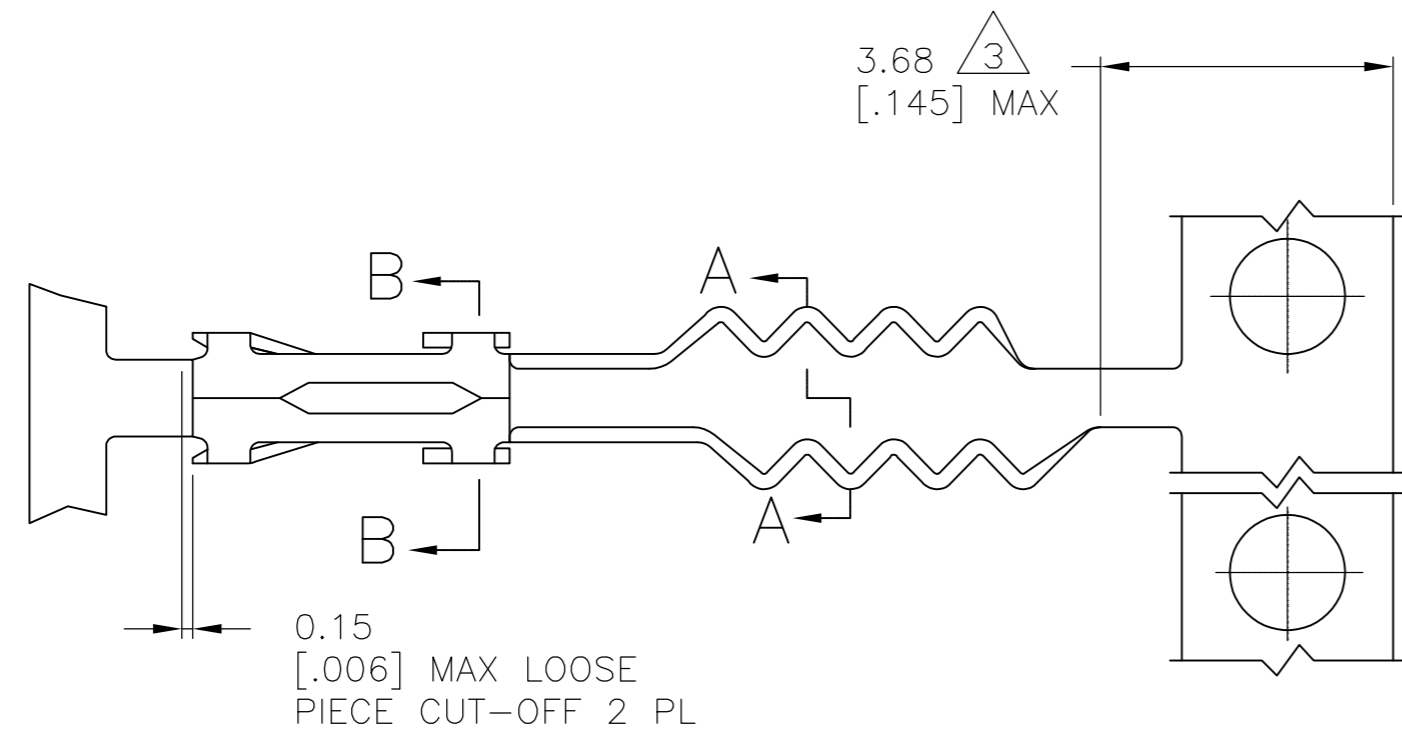
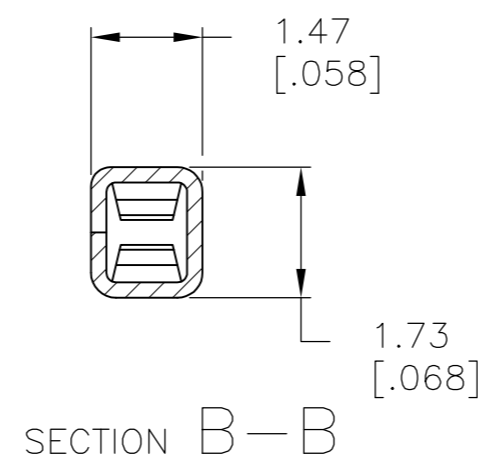
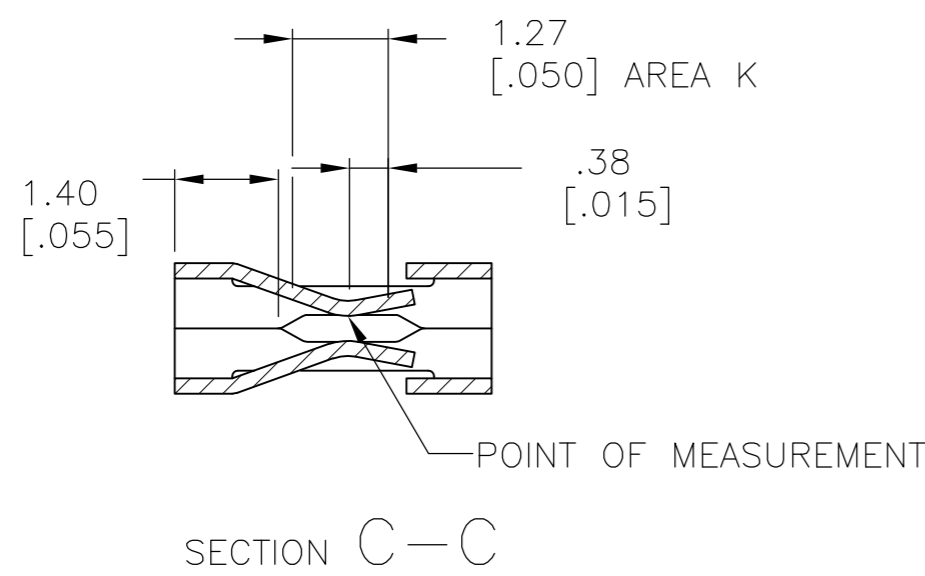
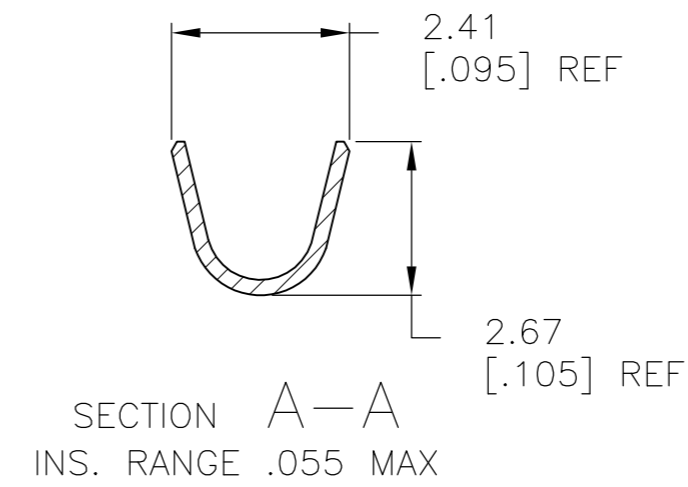
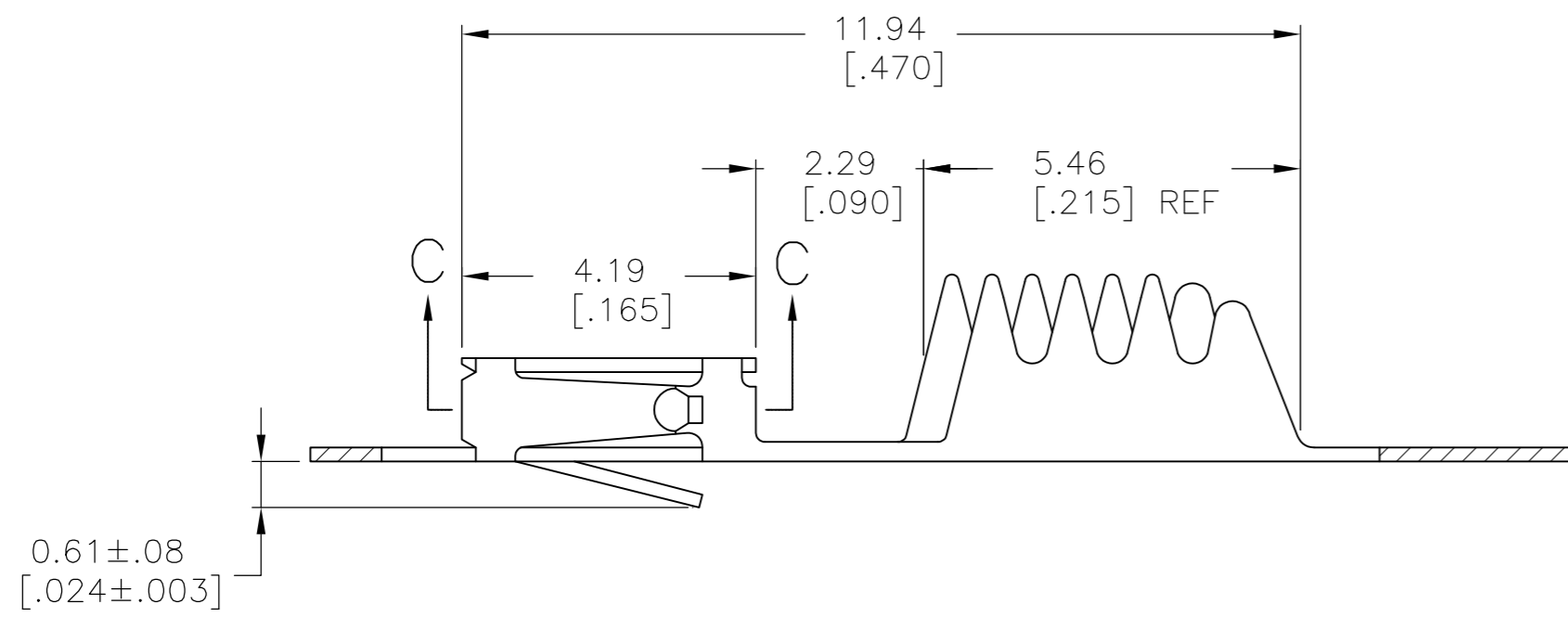


THIS DRAWING IS UNPUBLISHED. RELEASED FOR PUBLICATION  
 © COPYRIGHT BY TYCO ELECTRONICS CORPORATION. ALL RIGHTS RESERVED.

LOC	DIST	REVISIONS			
P	LTR	DESCRIPTION	DATE	DWN	APVD
AD	00	H	REV & REDWN PER 0010-0309-06	31DEC96	JH JH
		H1	REVISED PER ECO-09-024717	04NOV09	KK AEG



- $\triangle 1$  FINISH: .000050-.000150 PREPLATED BRIGHT TIN.
- $\triangle 2$  LUBRICATED
- $\triangle 3$  .000030 GOLD IN AREA K, GOLD FLASH ON THE REMAINDER, OVER .000050 NICKEL.
- $\triangle 5$  REELED FOR MINI APPLICATOR.
- $\triangle 6$  OBSOLETE PARTS: OBSOLETE CIS STREAMLINING PER D.RENAUD/D.SINISI



$\triangle 6$ OBSOLETE	$\triangle 3$	102169-5-
$\triangle 1$ $\triangle 2$		102169-1
FINISH		PART NO. $\triangle 3$

THIS DRAWING IS A CONTROLLED DOCUMENT.		DWN J.HERRINGTON 31DEC96	Tyco Electronics Corporation Harrisburg, PA 17105-3608	
DIMENSIONS: mm [INCHES]		CHK J.HERRINGTON 31DEC96	NAME RECEPTACLE CONTACT, MOD IV, CRIMP-SNAP-IN, INSULATION PIERCING	
TOLERANCES UNLESS OTHERWISE SPECIFIED:		APVD J.HERRINGTON 31DEC96	PRODUCT SPEC 108-25020	
0 PLC ± -		APPLICATION SPEC 114-25003		
1 PLC ± -		WEIGHT -		
2 PLC ± -		SIZE A2 CAGE CODE 00779 DRAWING NO C=102169		
3 PLC ± -		RESTRICTED TO -		
4 PLC ± -		SCALE 10:1 SHEET 1 OF 1 REV H1		
ANGLES ± -		CUSTOMER DRAWING		
FINISH SEE TABLE				

单击下面可查看定价，库存，交付和生命周期等信息

[>>TE Connectivity\(泰科\)](#)