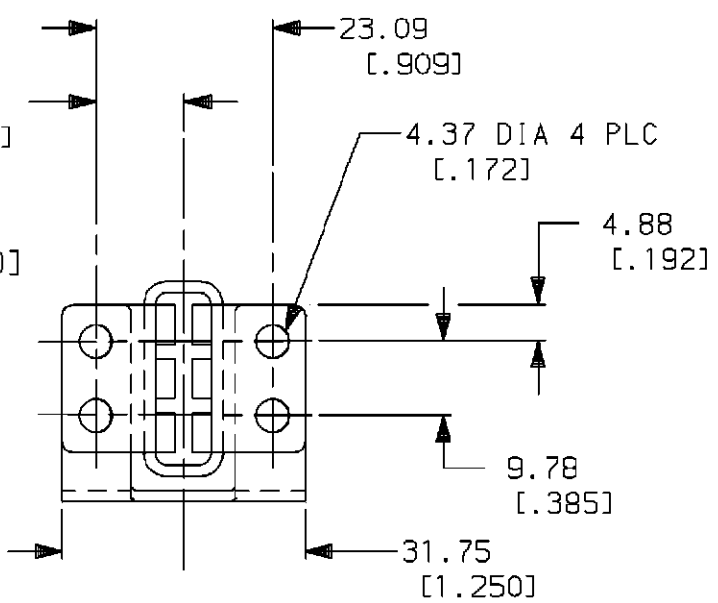
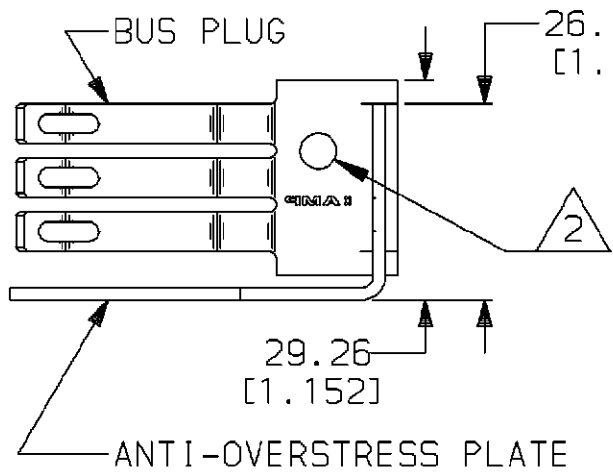
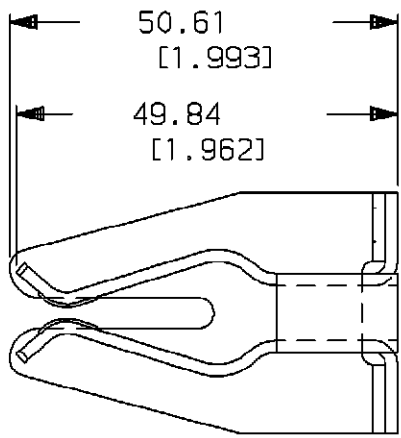




LOC BG	DIST 5	P	F	REVISIONS		
			LTR	DESCRIPTION	DATE	APPROVED
			C	REV PER LC00-0023-96	MAR96	DGA

- ALL DIMENSIONS REFERENCE ONLY
- PART MAY HAVE HOLE IN THIS LOCATON, BOTH SIDES.



THIS DRAWING IS UNPUBLISHED. © COPYRIGHT 19 BY AMP OF CANADA LTD. ALL INTERNATIONAL RIGHTS RESERVED.

METRIC

213647-1
PART NO

DO NOT SCALE PRINT. UNLESS SPECIFIED DIMENSIONS IN mm [IN] TOLERANCES ON: 2 PLC DEC ± - 3 PLC DEC ± - ANGLES ± -	DR 12-12-91 J WARD
	CHK 12-12-91 J LANDIS
MATERIAL BUS PLUG: COPPER ALLOY ANTI-OVERSTRESS PLATE: S.S.	APPD 12-12-91 C WEIDLER
	APPD 12-12-91 C WEIDLER
FINISH BUS PLUG: Ag/Ni ANTI-OVERSTRESS PLATE: PASSIVATED	PRODUCT SPEC 108-1101
	APPLICATION SPEC 114-02111
	WEIGHT -

AMP AMP of CANADA Ltd.
Markham, Ont.

NAME
AMP PDS 125F3 BUS PLUG
W/GUIDE (SHORT)

SIZE A	CAGE CODE 09482	DRAWING NO 213647
SCALE NTS	SHEET 1 OF 1	

单击下面可查看定价，库存，交付和生命周期等信息

[>>TE Connectivity\(泰科\)](#)