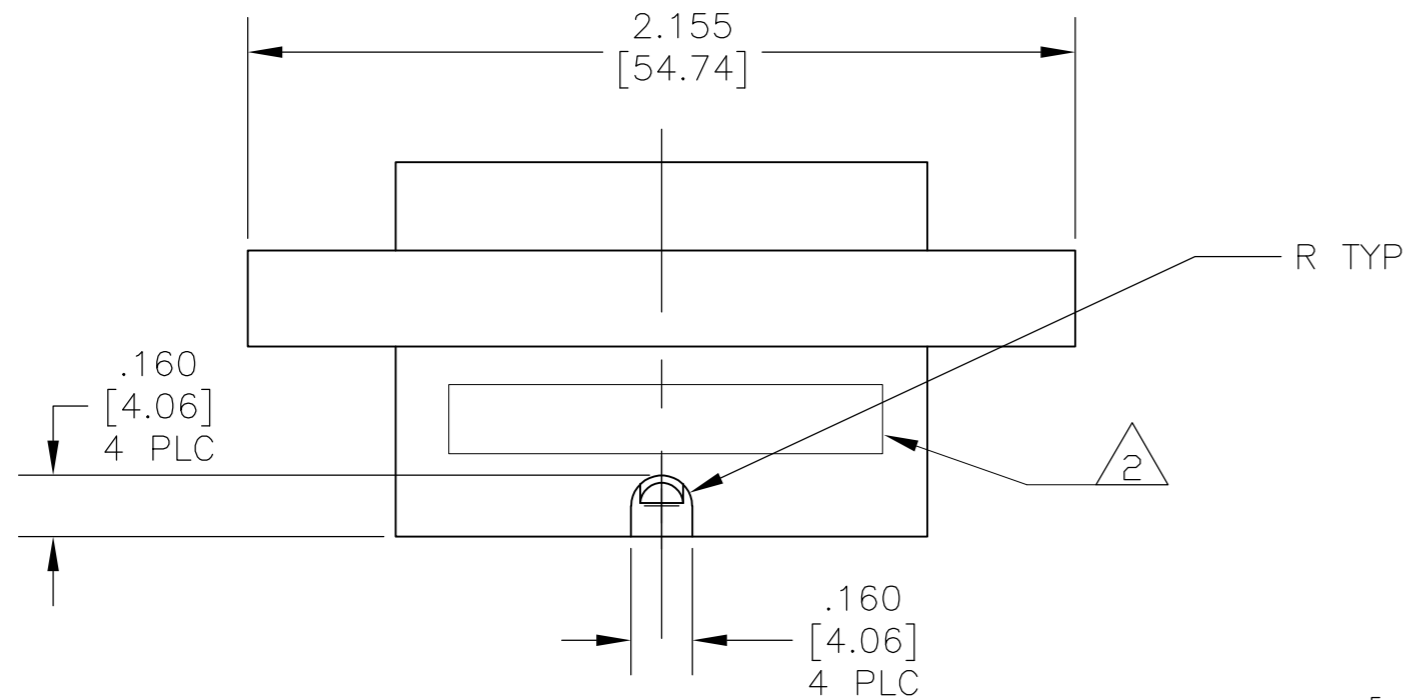
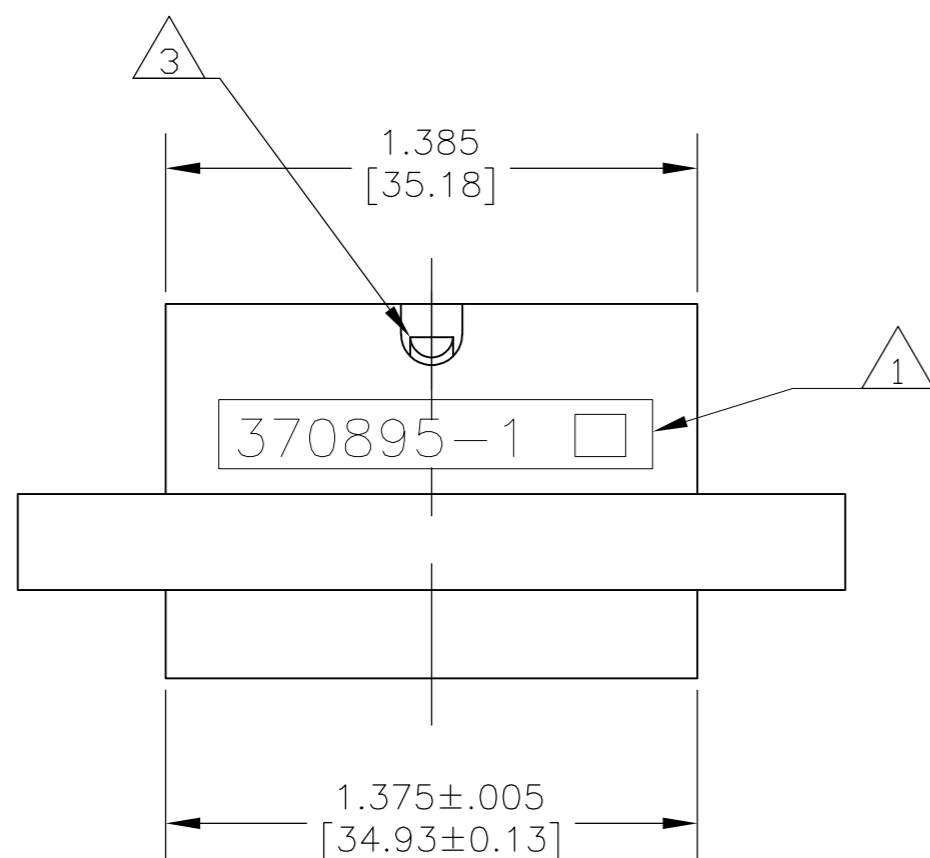
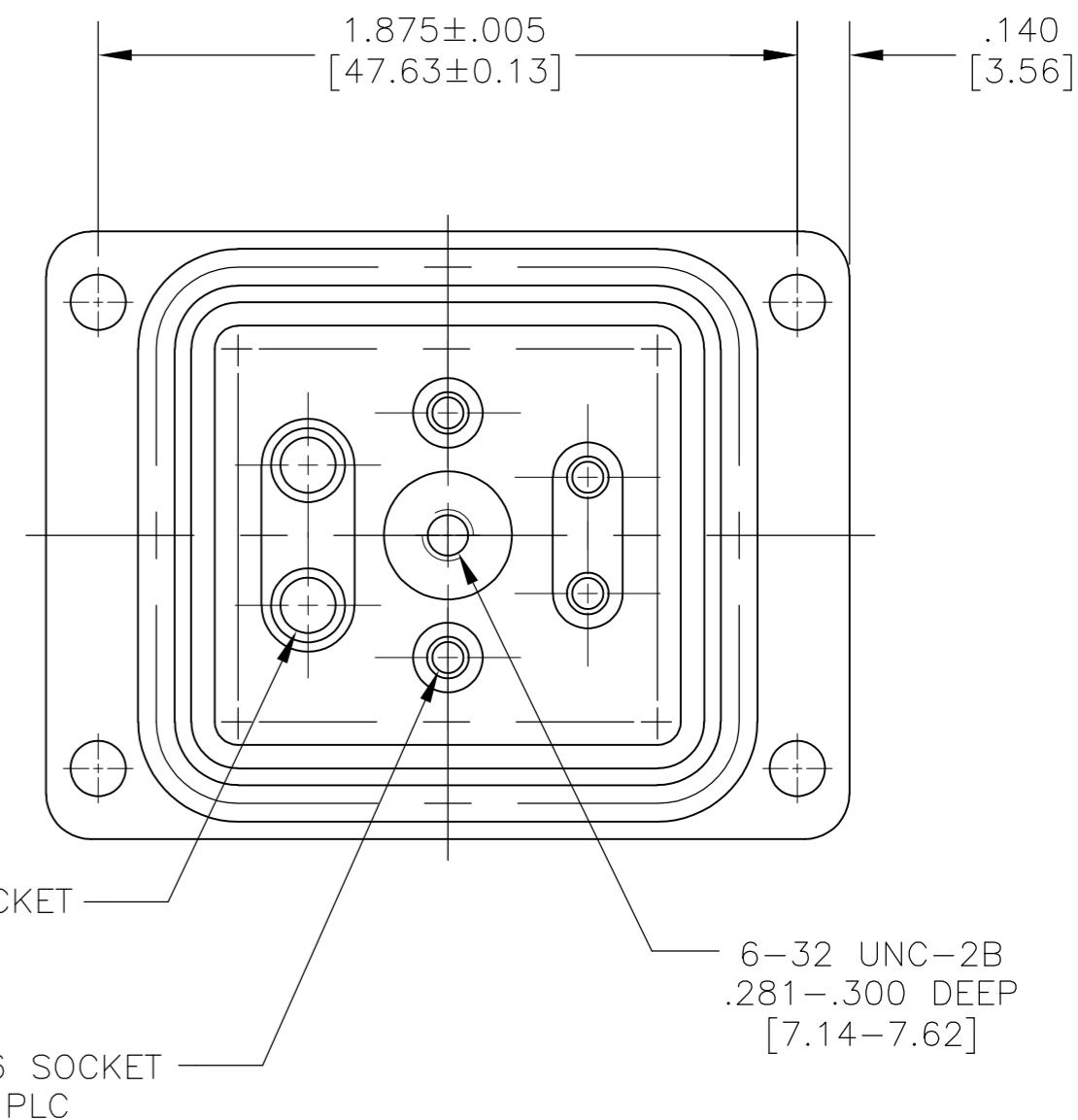
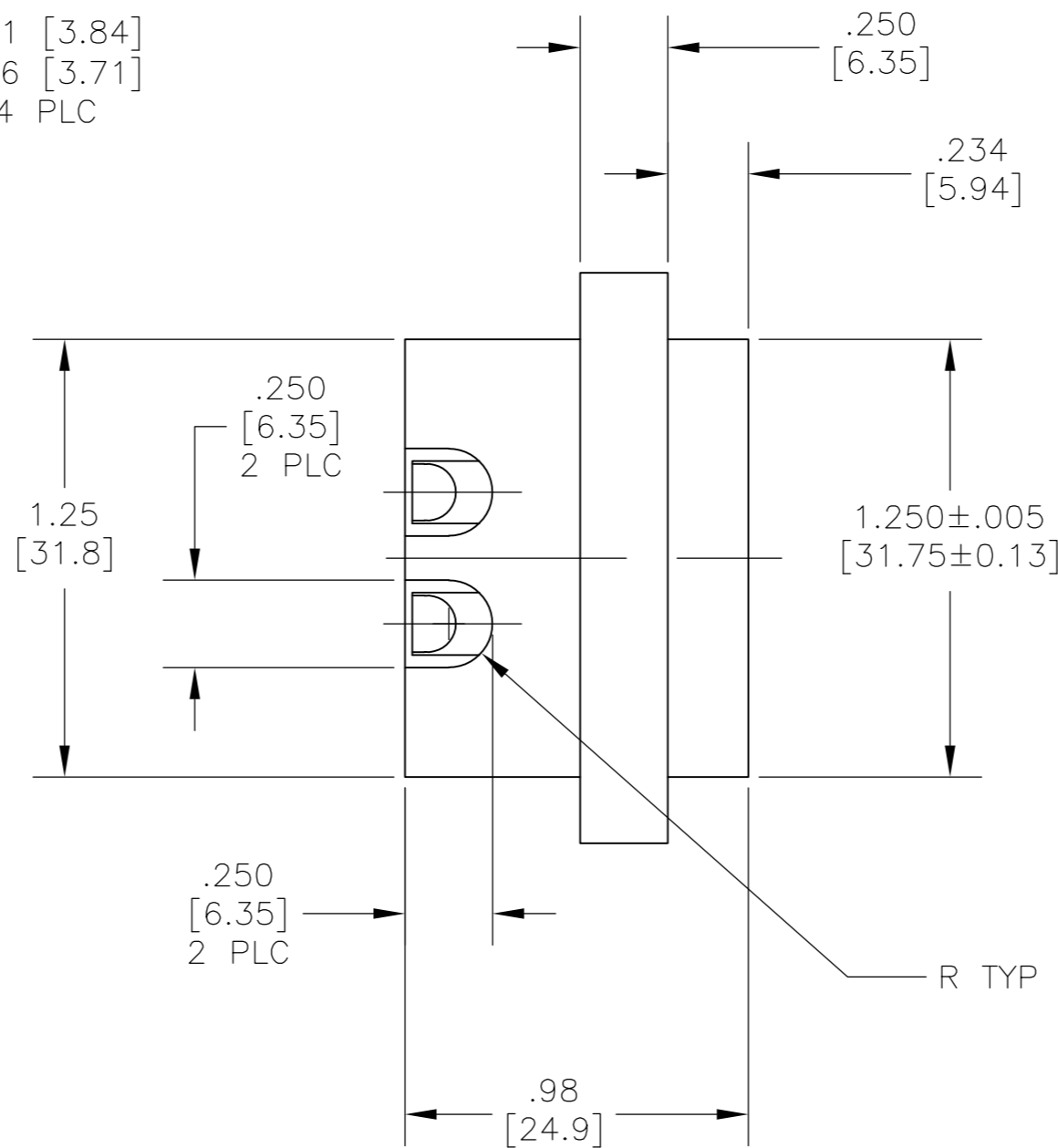
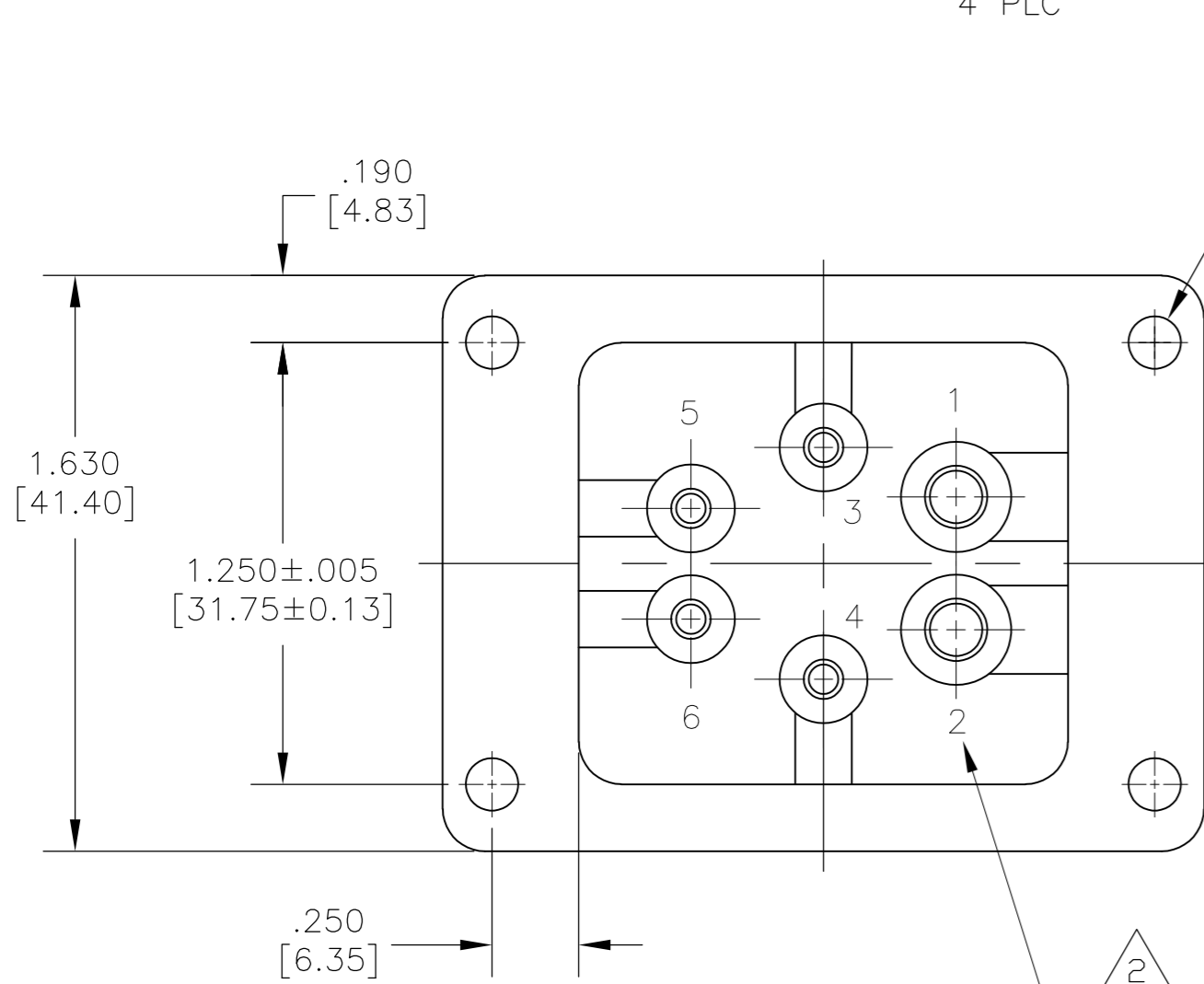


THIS DRAWING IS UNPUBLISHED. RELEASED FOR PUBLICATION
 © COPYRIGHT BY TYCO ELECTRONICS CORPORATION. ALL INTERNATIONAL RIGHTS RESERVED.

LOC	DIST	REVISIONS					
DF	S5	P	LTR	DESCRIPTION	DATE	DWN	APVD
		P		REV PER ECO-08-029386	16APR09	PY	DE



- △ CUSTOMER PART NO AND LATEST CUSTOMER REVISION LETTER MARKED PER MIL-STD-130, -1 ONLY
- △ AMP INFORMATION AND CAVITY NUMBERS MARKED PER MIL-STD-130.
- △ SOLDER CUP OPENINGS FACE OPEN GROOVE IN HOUSING, 6 PLC.
- △ THIS RECEPTACLE MATES WITH AMP PART NO 858057-1 OR 858057-2.
- △ THIS RECEPTACLE IS HERMETICALLY SEALED.
- △ THIS RECEPTACLE IS NOT HERMETICALLY SEALED.



	△ 6	858059-2
OBSELETE	△ 1 △ 5	858059-1
NOTES		PART NO

THIS DRAWING IS A CONTROLLED DOCUMENT.		DWN	C.C.THOMAS	4-17-97	Tyco Electronics Corporation Harrisburg, PA 17105-3608		
DIMENSIONS: INCHES		CHK	S.GLATFELTER	9-9-97			
TOLERANCES UNLESS OTHERWISE SPECIFIED:		APVD	S.GLATFELTER	9-9-97			
0 PLC ± - 1 PLC ± - 2 PLC ± .03 [0.8] 3 PLC ± .010 [0.25] 4 PLC ± - ANGLES ± - FINISH -		NAME	RECEPTACLE, 6 POSN., LGH				
MATERIAL		WEIGHT		SIZE	CAGE CODE	DRAWING NO	RESTRICTED TO
				A2	00779	C=858059	
CUSTOMER DRAWING				SCALE	2:1	SHEET	1 of 1
				REV	P		

单击下面可查看定价，库存，交付和生命周期等信息

[>>TE Connectivity\(泰科\)](#)