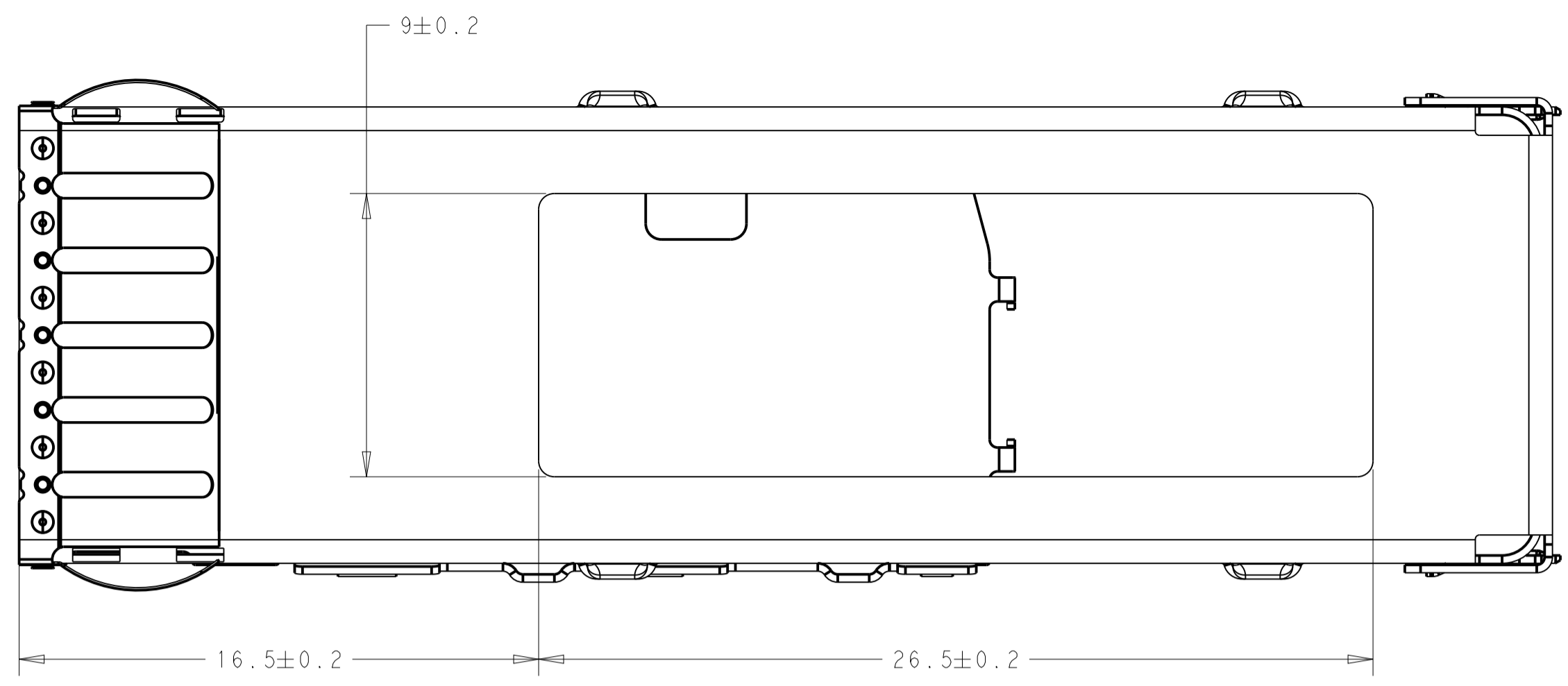
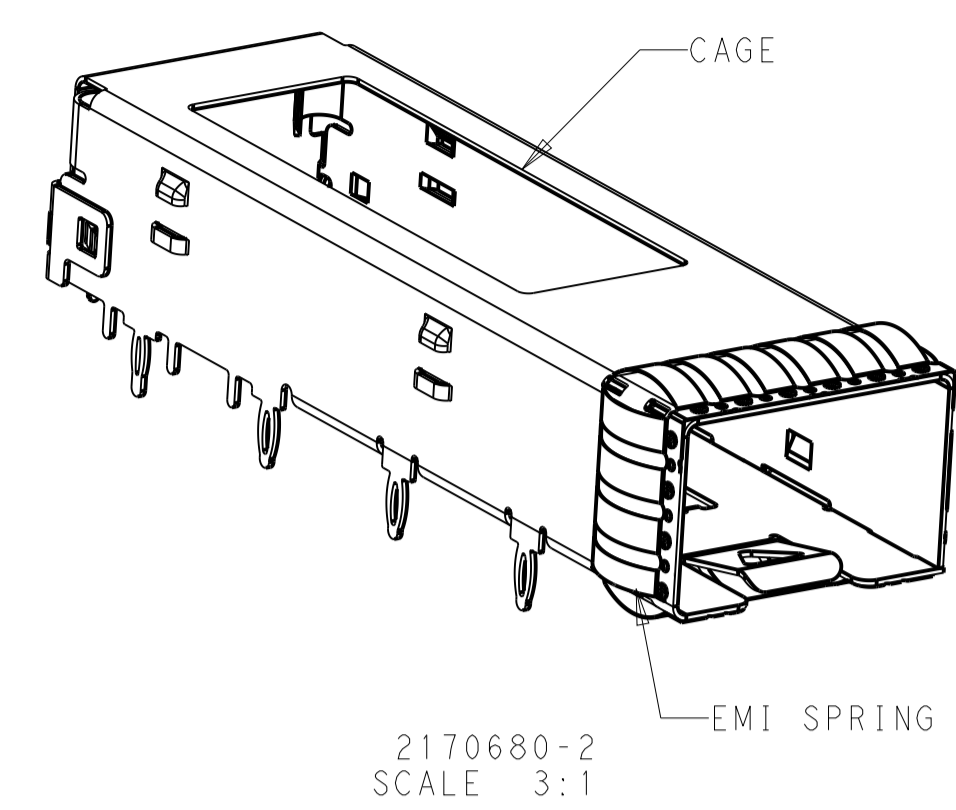
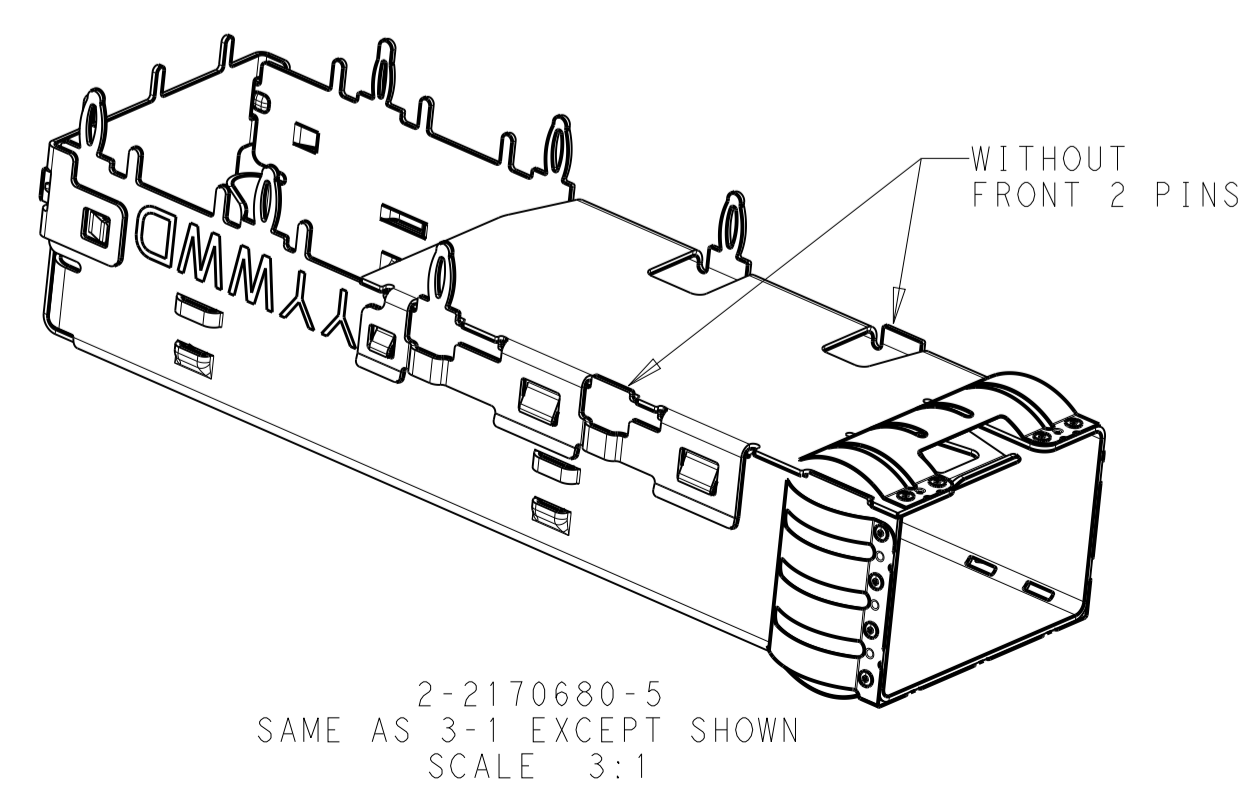
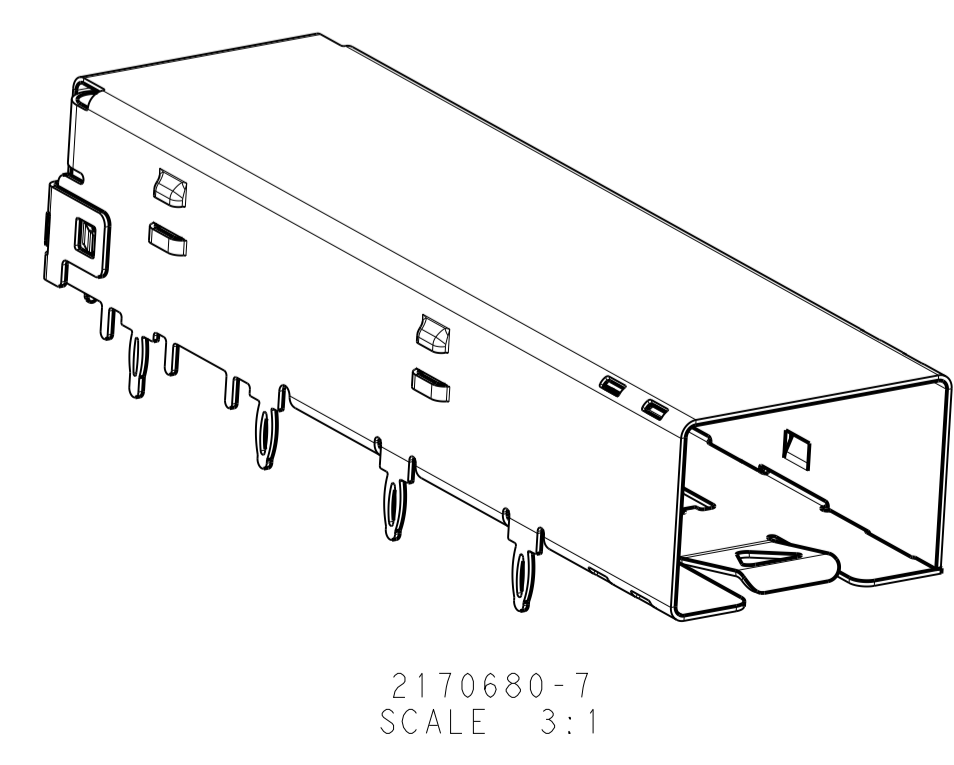
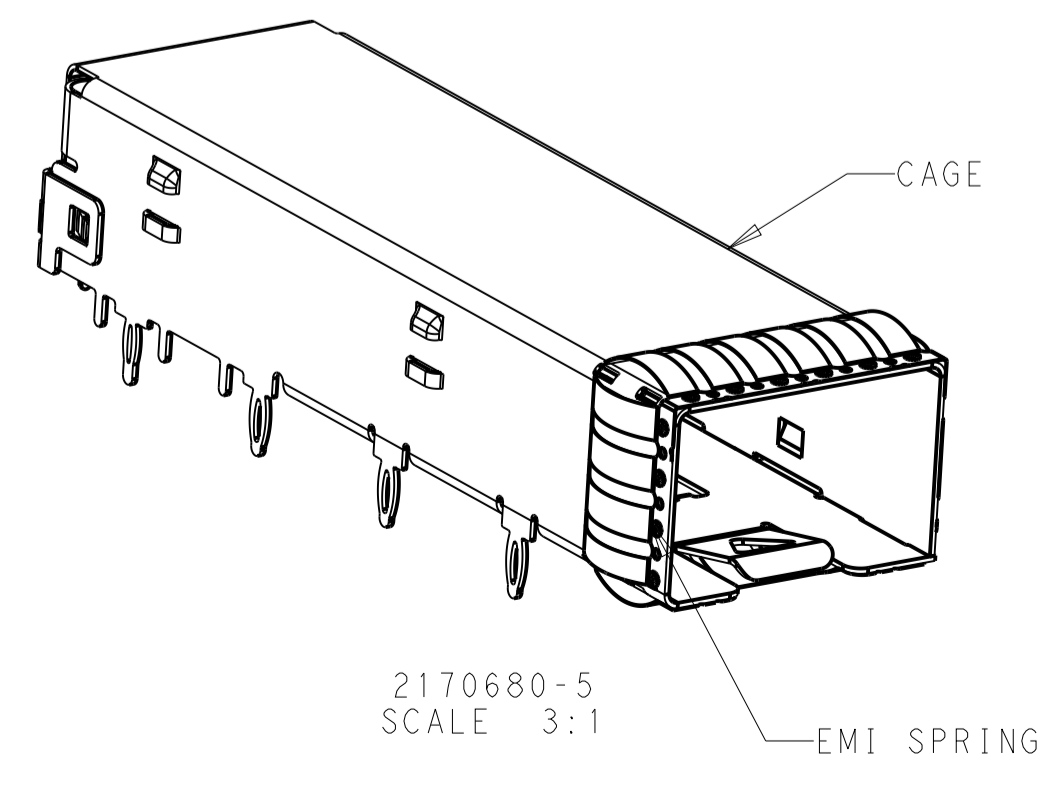
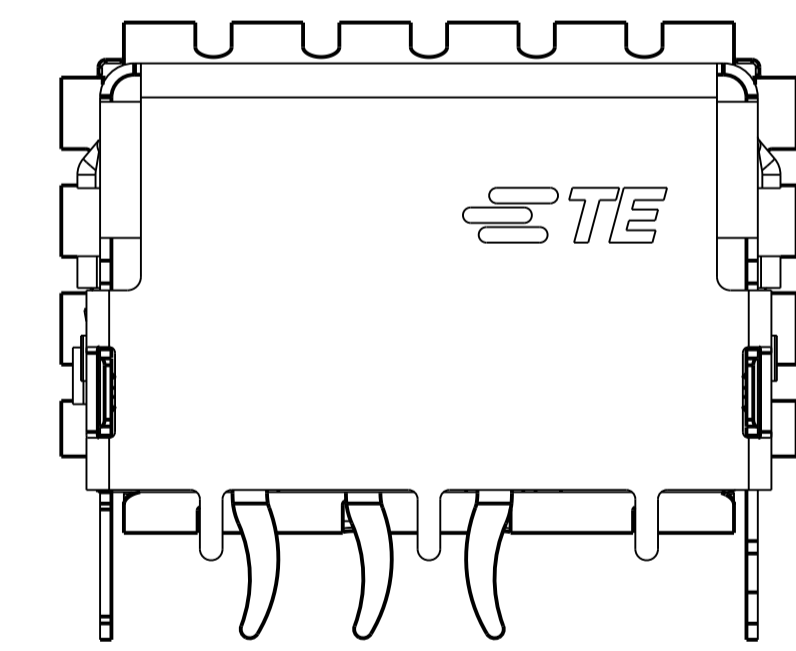
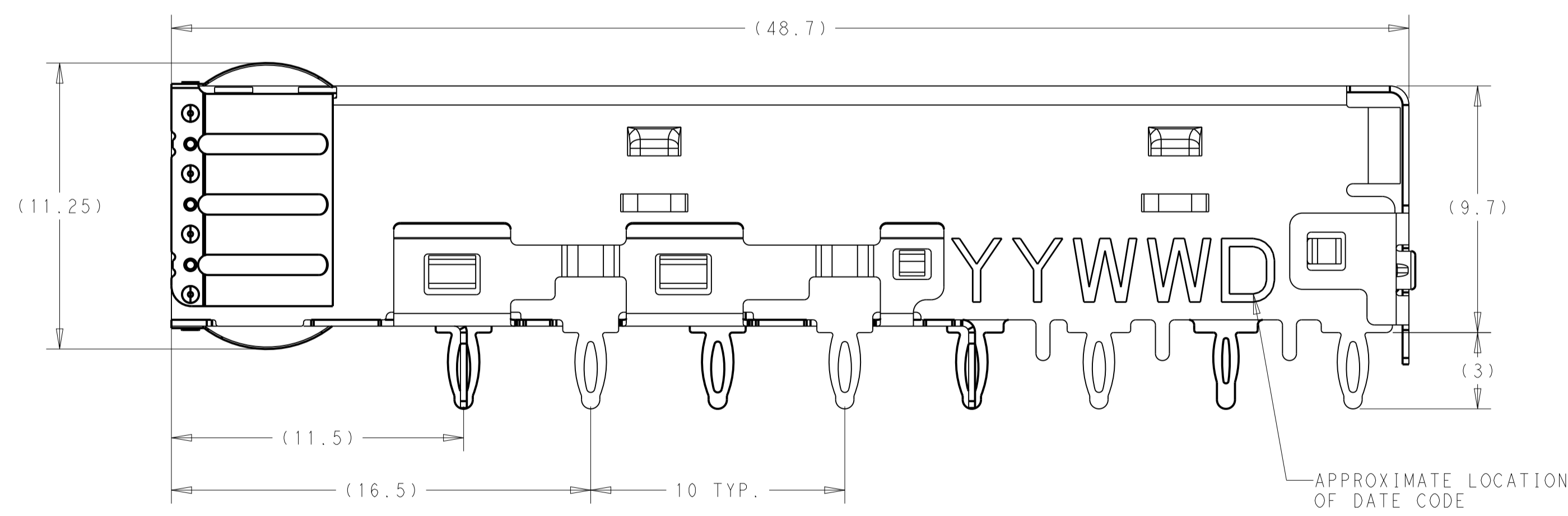
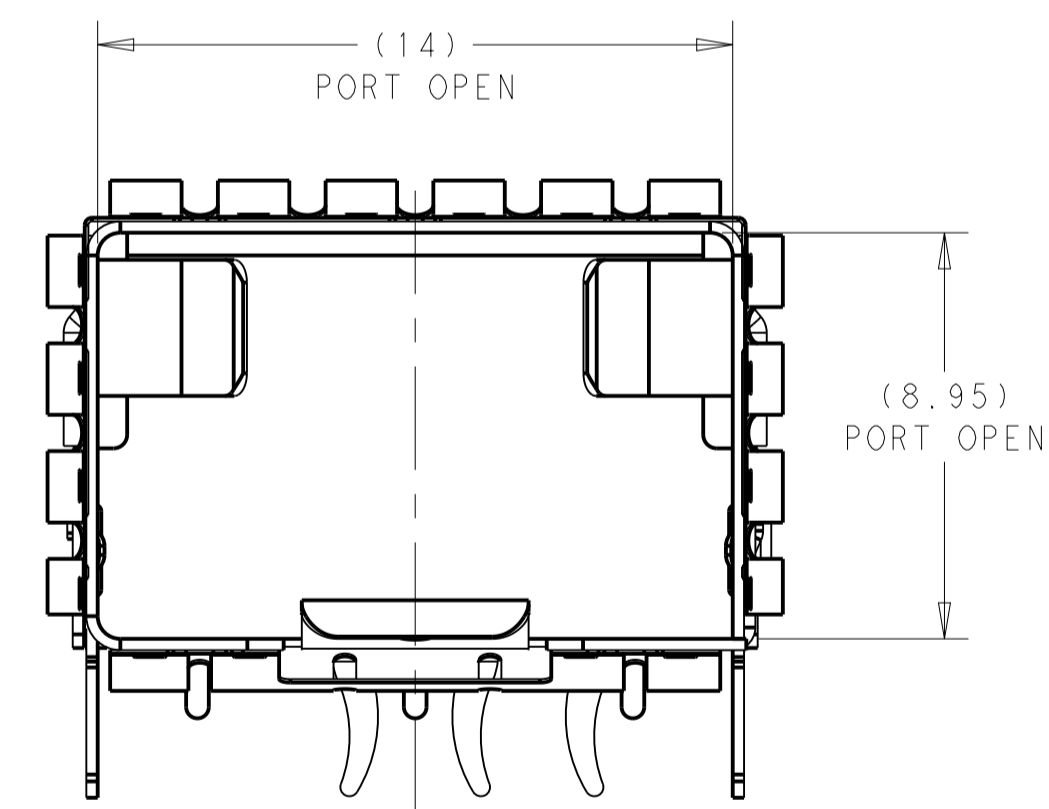
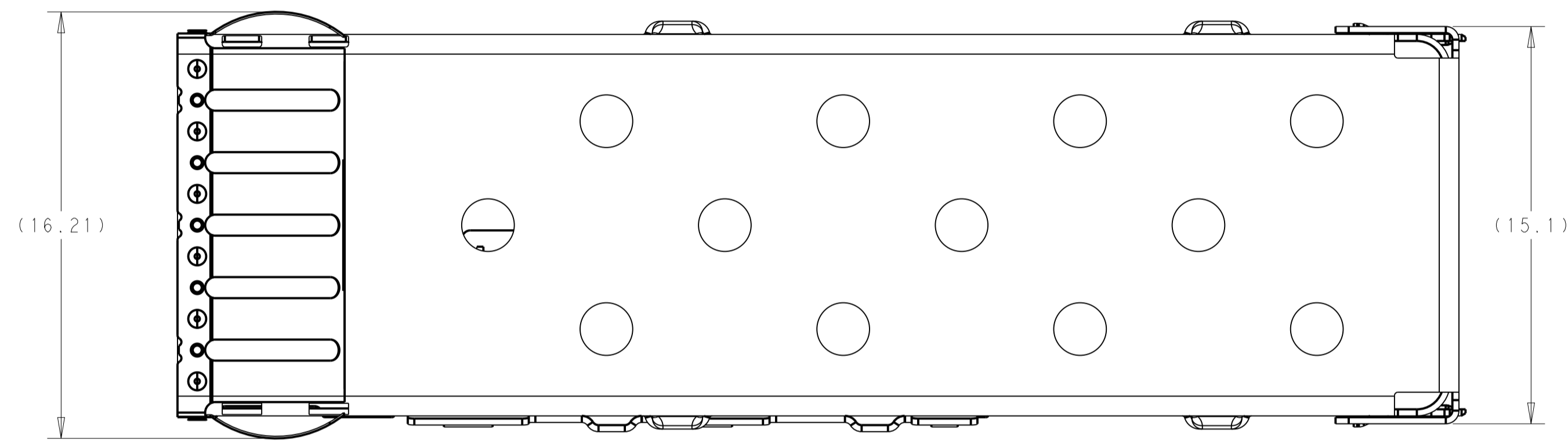
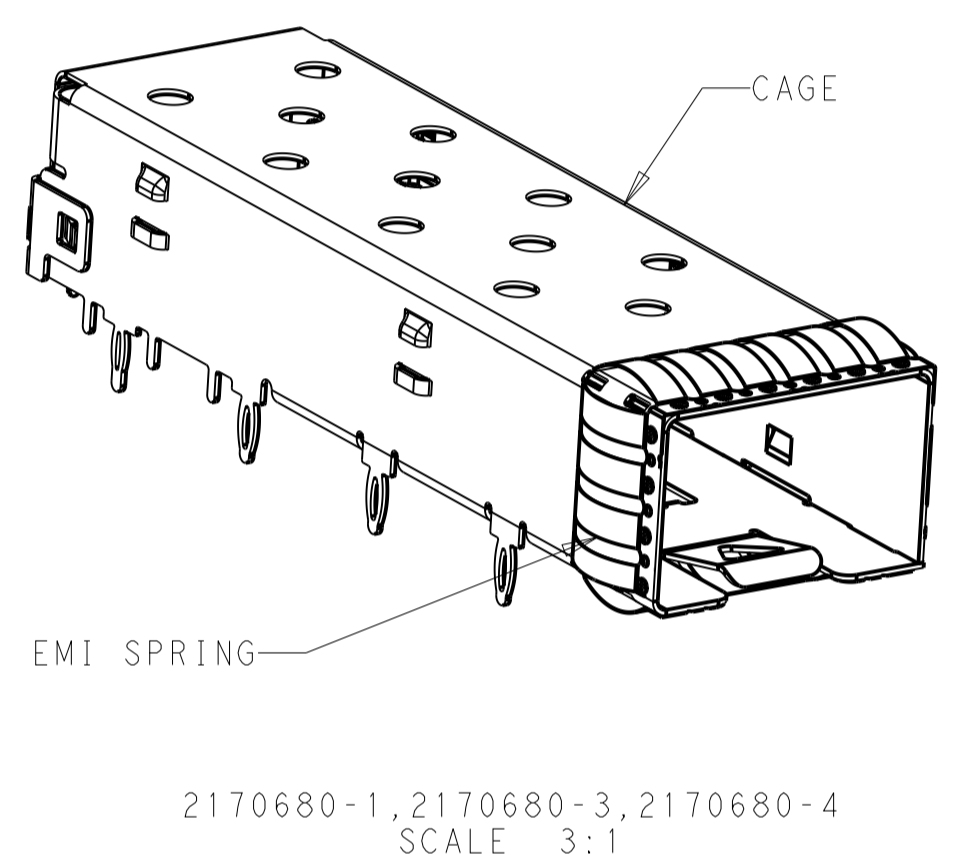


LOC	DIST	REVISIONS			
GP	00	REV	DATE	BY	APPV
		B	19JAN2021	JY	SZ



2170680-2
SAME AS 2170680-1 EXCEPT AS SHOWN
TOP VIEW



- 1 MATERIAL:
CAGE ASSEMBLY - 0.25mm THICK NICKEL SILVER ALLOY.
EMI SPRINGS - COPPER ALLOY.
- 2 FINISH
EMI SPRINGS - 0.8um MIN NICKEL, NON-PLATED EDGES PERMISSIBLE.
- 3. MATES WITH SFP MSA COMPLIANT TRANSCEIVERS.
- 4 PADS AND VIAS CHASSIS GROUND.
- 5 DATUM AND BASIC DIMENSION ESTABLISHED BY CUSTOMER.
- 6. MINIMUM PC BOARD THICKNESS:
SINGLE SIDED = 1.50 mm
DOUBLE SIDED = 3.00 mm
- 7 REFERENCE APPLICATION SPEC. 114-13120, HOLE A, FOR
RECOMMENDED DRILL HOLE DIAMETER AND PLATING THICKNESS.
- 8 REFERENCE APPLICATION SPEC. 114-13120, HOLE C, FOR
RECOMMENDED DRILL HOLE DIAMETER AND PLATING THICKNESS.
- 9 PRELIMINARY PART
- 10 PACKAGE TYPE IS TAPE AND REEL. THE PITCH IS 28MM, REEL DIAMETER IS 380MM
TAPE WIDTHE IS 72MM, PER REEL QTY IS 180PCS, 360PCS/BOX.
- 11 PACKAGE TYPE IS TAPE AND REEL. THE PITCH IS 24MM, REEL DIAMETER IS 380MM
TAPE WIDTHE IS 72MM, PER REEL QTY IS 180PCS, 360PCS/BOX.
THE COLOR OF POCKET TAPE IS BLACK.

W/O INSULATING TAPE	DESCRIPTION	PART NUMBER
W/O INSULATING TAPE	WITHOUT LOCATE PINS	3-2170680-1
W/O INSULATING TAPE	WITHOUT FRONT 2 PINS WITHOUT LOCATE PINS	2-2170680-5
W/O INSULATING TAPE	WITHOUT KICK-OUT SPRING, EMI HOLES	2-2170680-1
W/O INSULATING TAPE	NO HOLES/NO SPRING	2170680-7
W/O INSULATING TAPE	NO HOLES	2170680-5
W/O INSULATING TAPE	EMI HOLES	2170680-4
W/ INSULATING TAPE	EMI HOLES	2170680-3
W/O INSULATING TAPE	HEATSINK OPENING	2170680-2
W/O INSULATING TAPE	EMI HOLES	2170680-1
INSULATING TAPE	DESCRIPTION	PART NUMBER

THIS DRAWING IS A CONTROLLED DOCUMENT. OWN: CHARLES WAN 24DEC2014
 CHK: SEAN HAN 24DEC2014
 APVD: SEAN HAN 24DEC2014

DIMENSIONS: IN

0 PLC	±0.1
1 PLC	±.1
2 PLC	±.1
3 PLC	±.1
4 PLC	±.05
5 PLC	±.05

TOLERANCES UNLESS OTHERWISE SPECIFIED:

FINISH

MATERIAL

APPROXIMATE LOCATION OF DATE CODE

WITHOUT FRONT 2 PINS

STE TE Connectivity

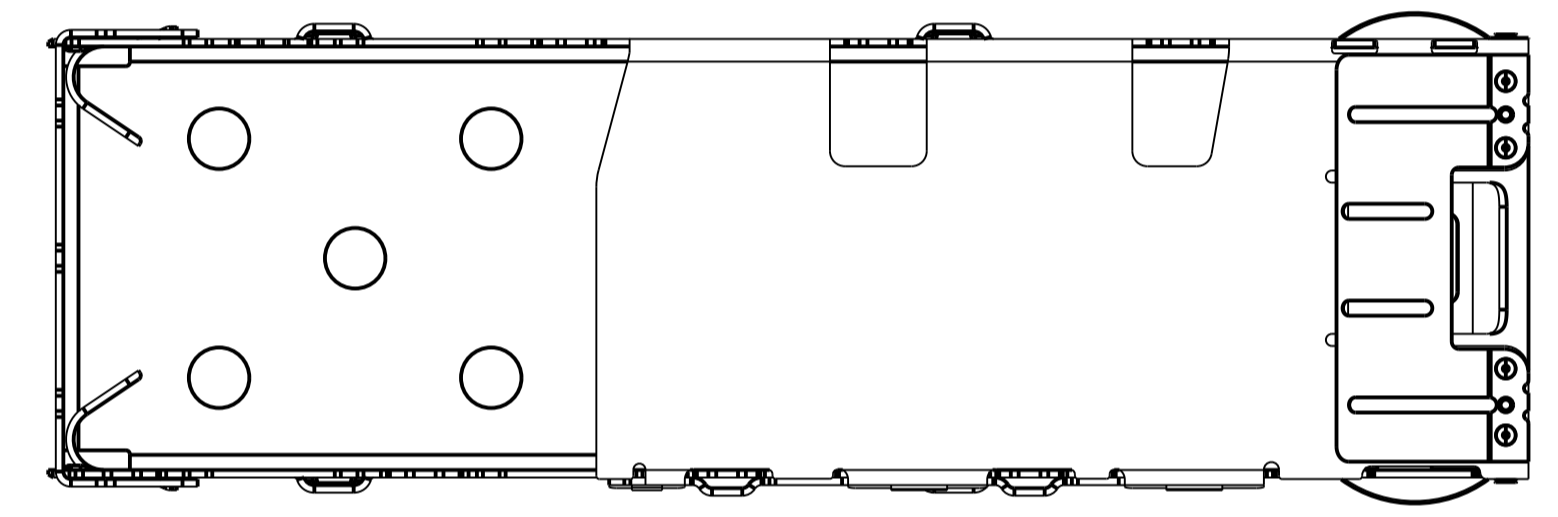
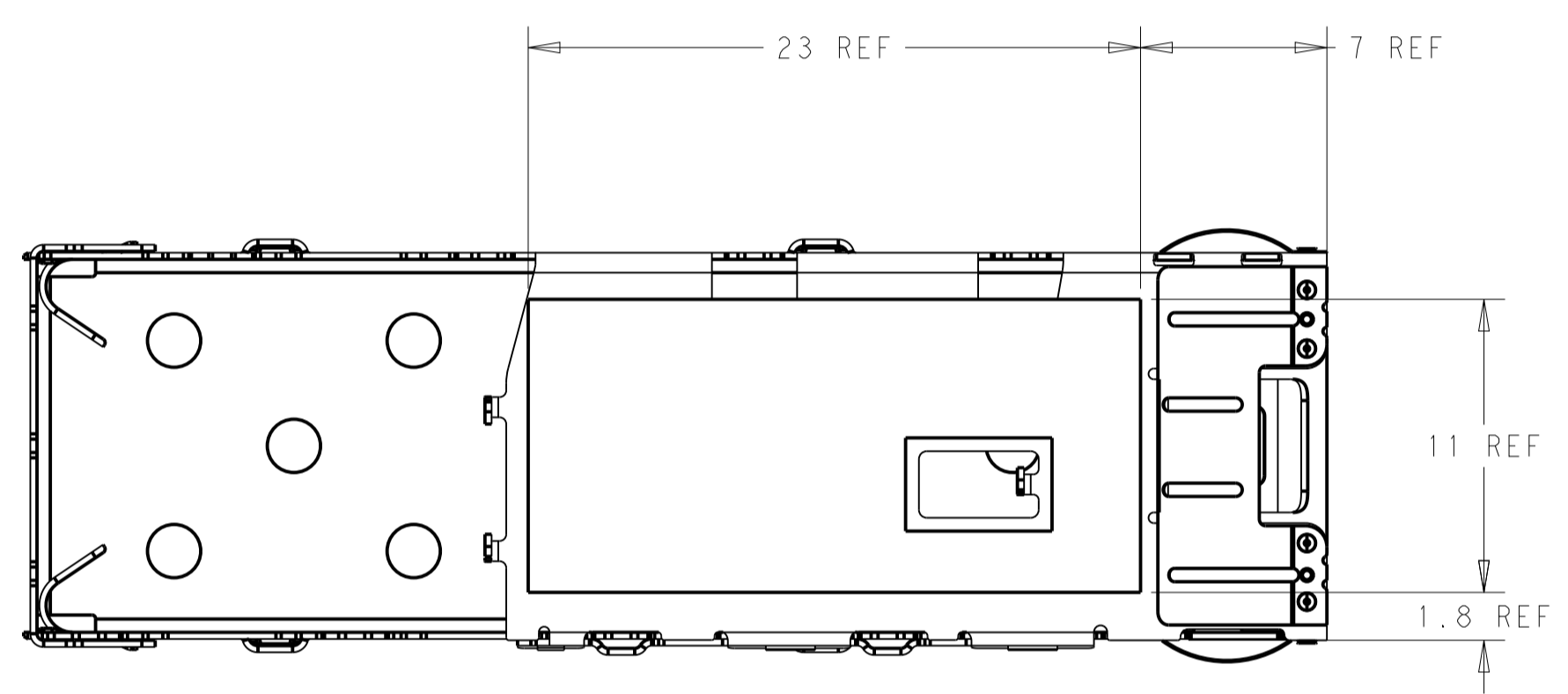
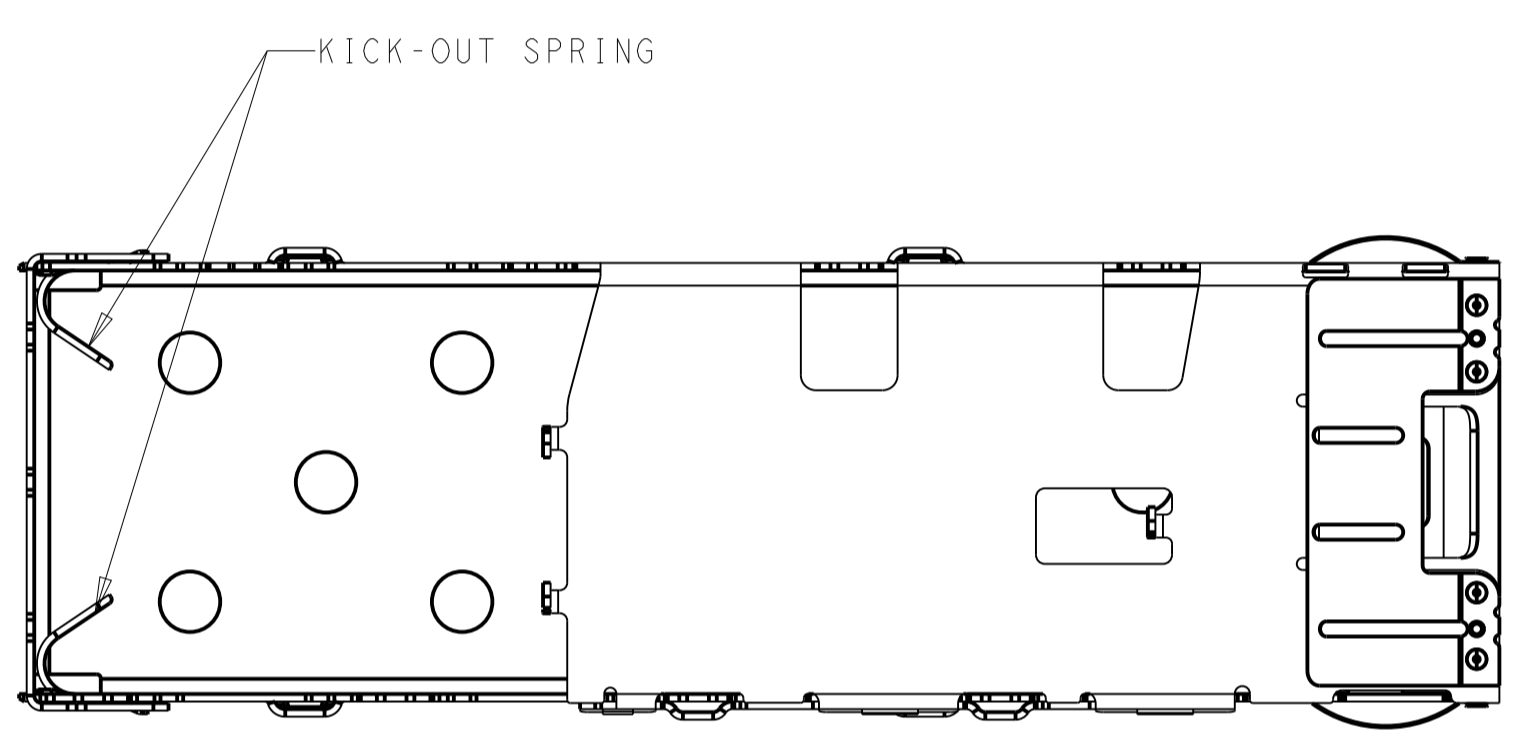
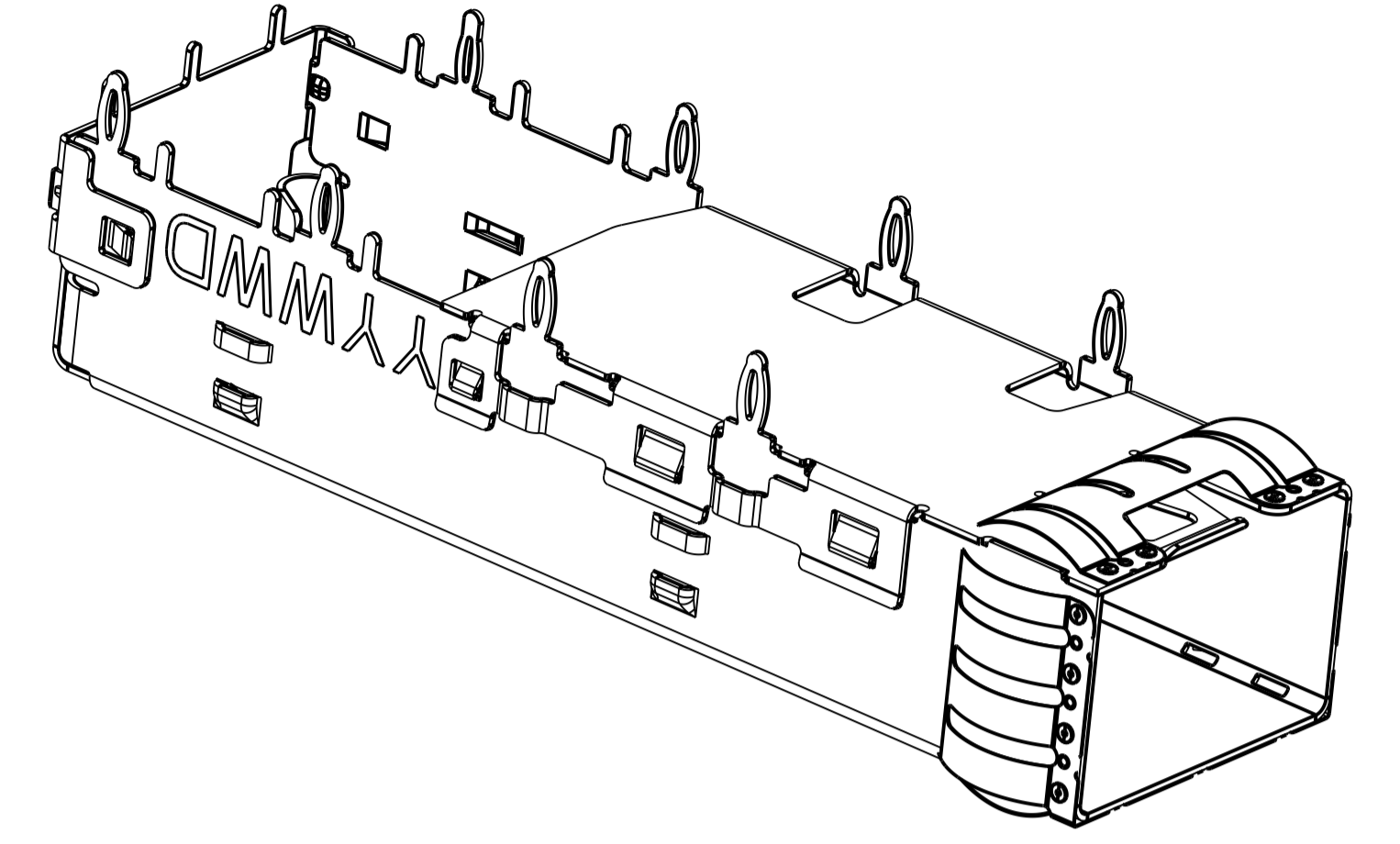
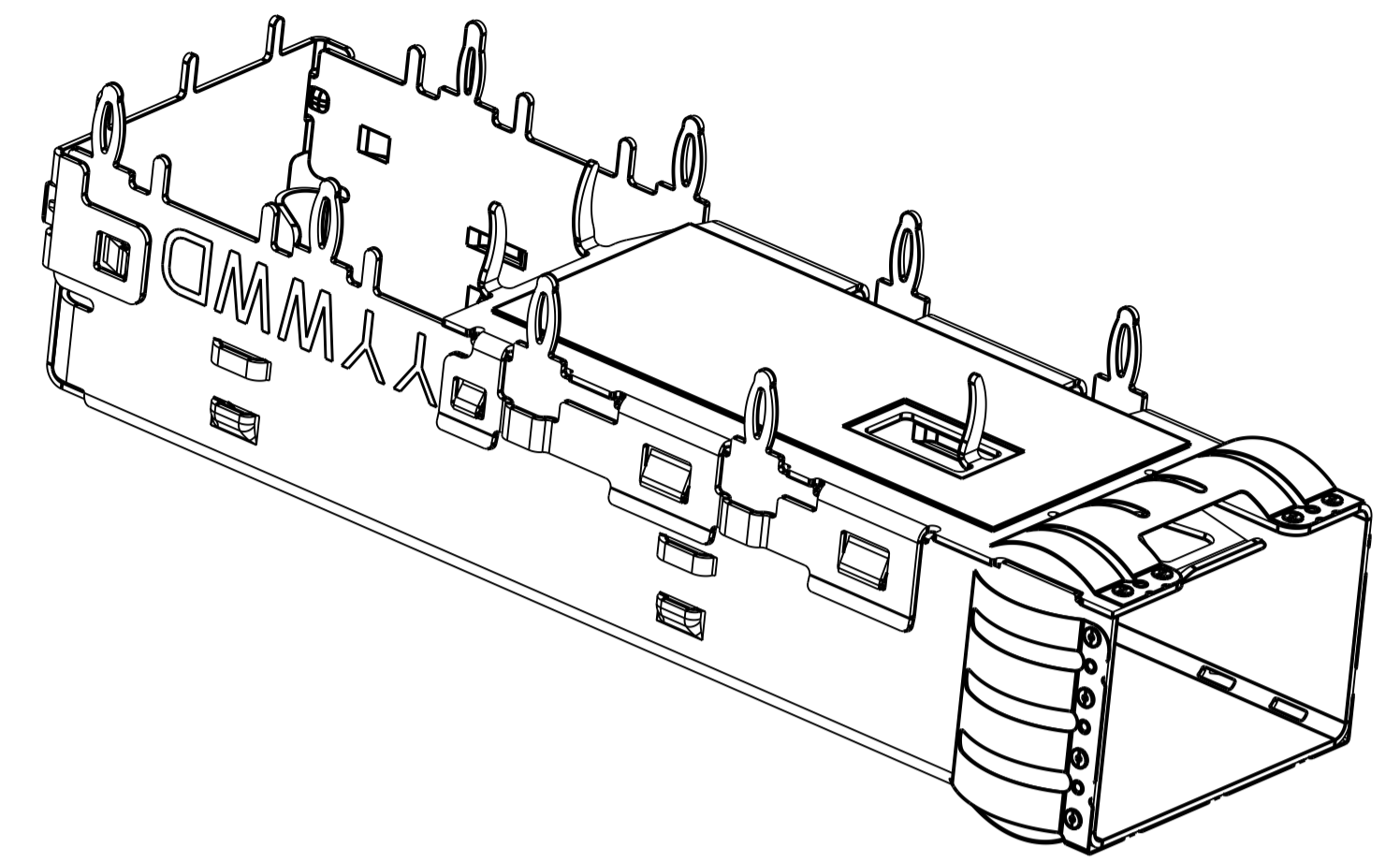
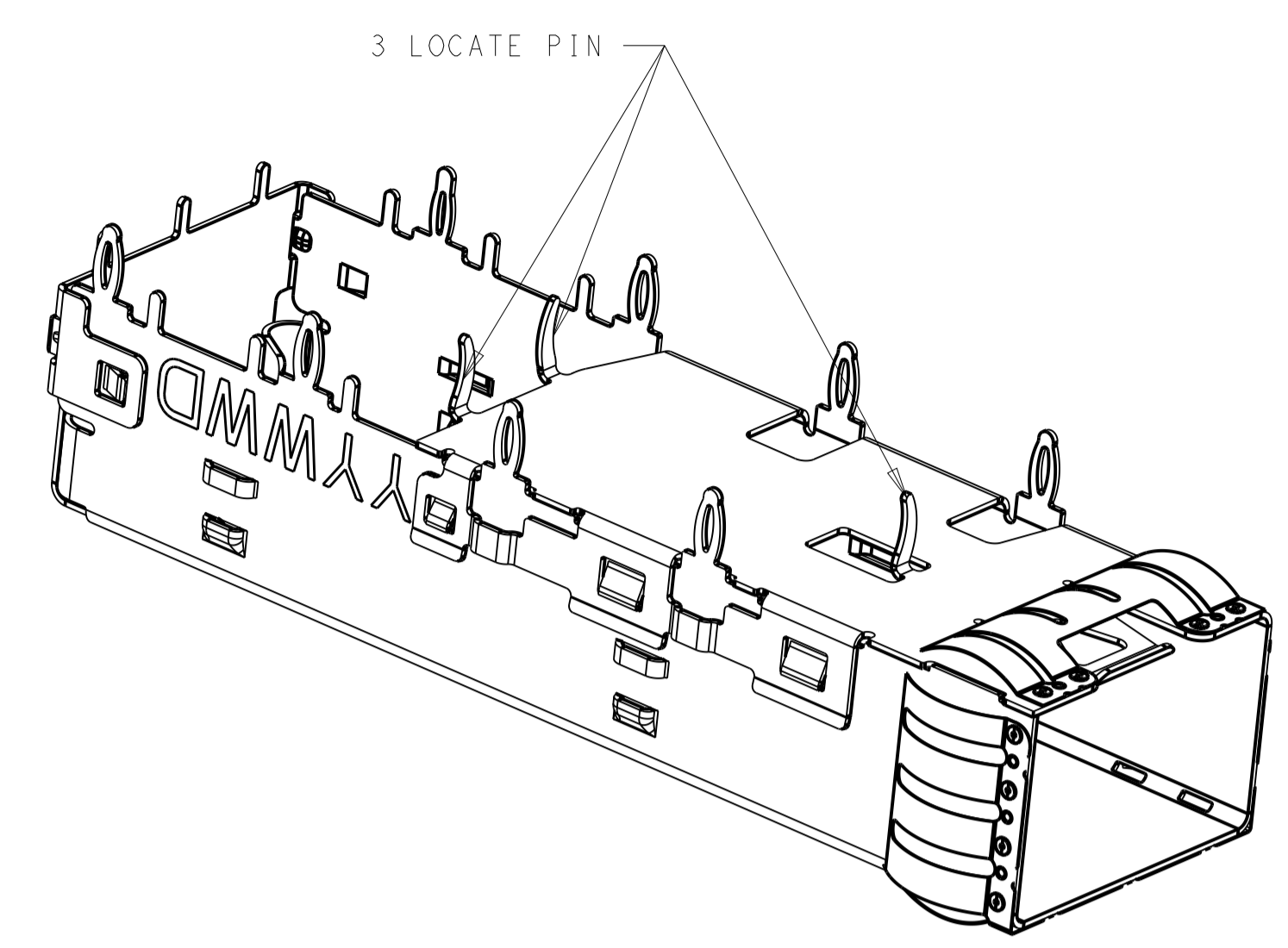
SFP+ 1X1 CAGE ASSEMBLY, PRESS-FIT
PRESS-FIT, EMI SPRINGS

SIZE: CAGE CODE DRAWING NO: A100779C=2170680

RESTRICTED TO

CUSTOMER DRAWING SCALE 6:1 SHEET 1 OF 5 REV B

LOC		DIST		REVISIONS			
P.	LTN	DESCRIPTION	DATE	DMN	APVD		
-	-	SEE SHEET 1	-	-	-		

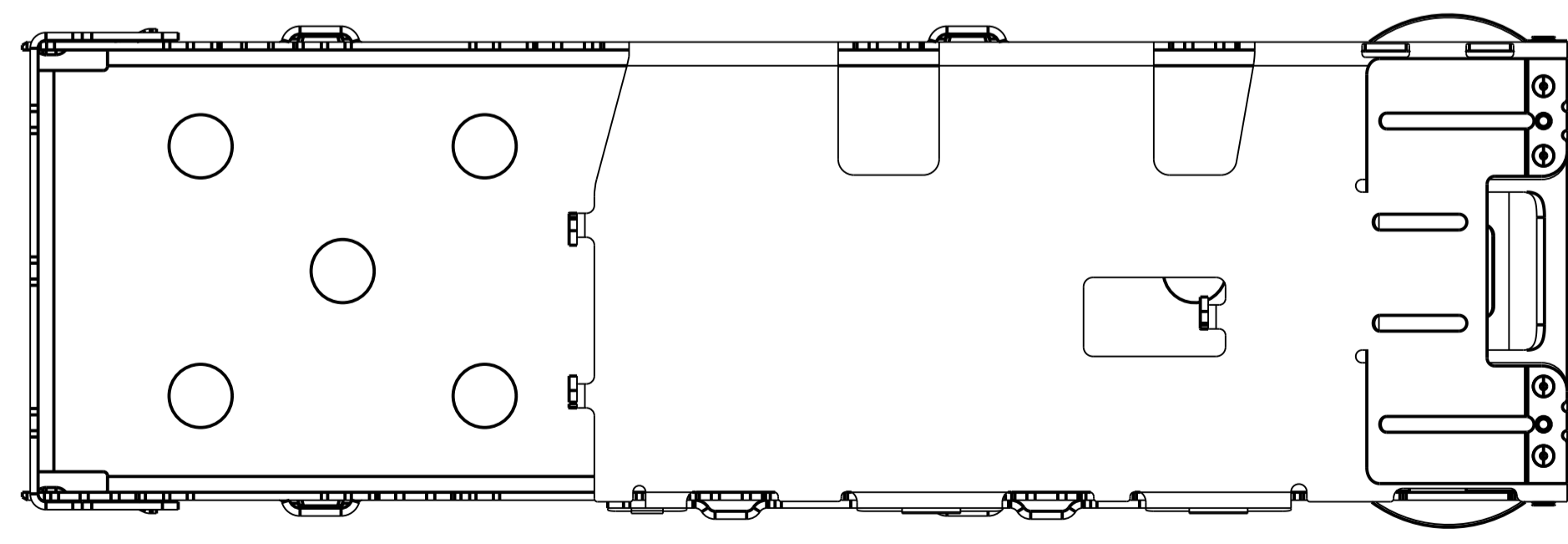
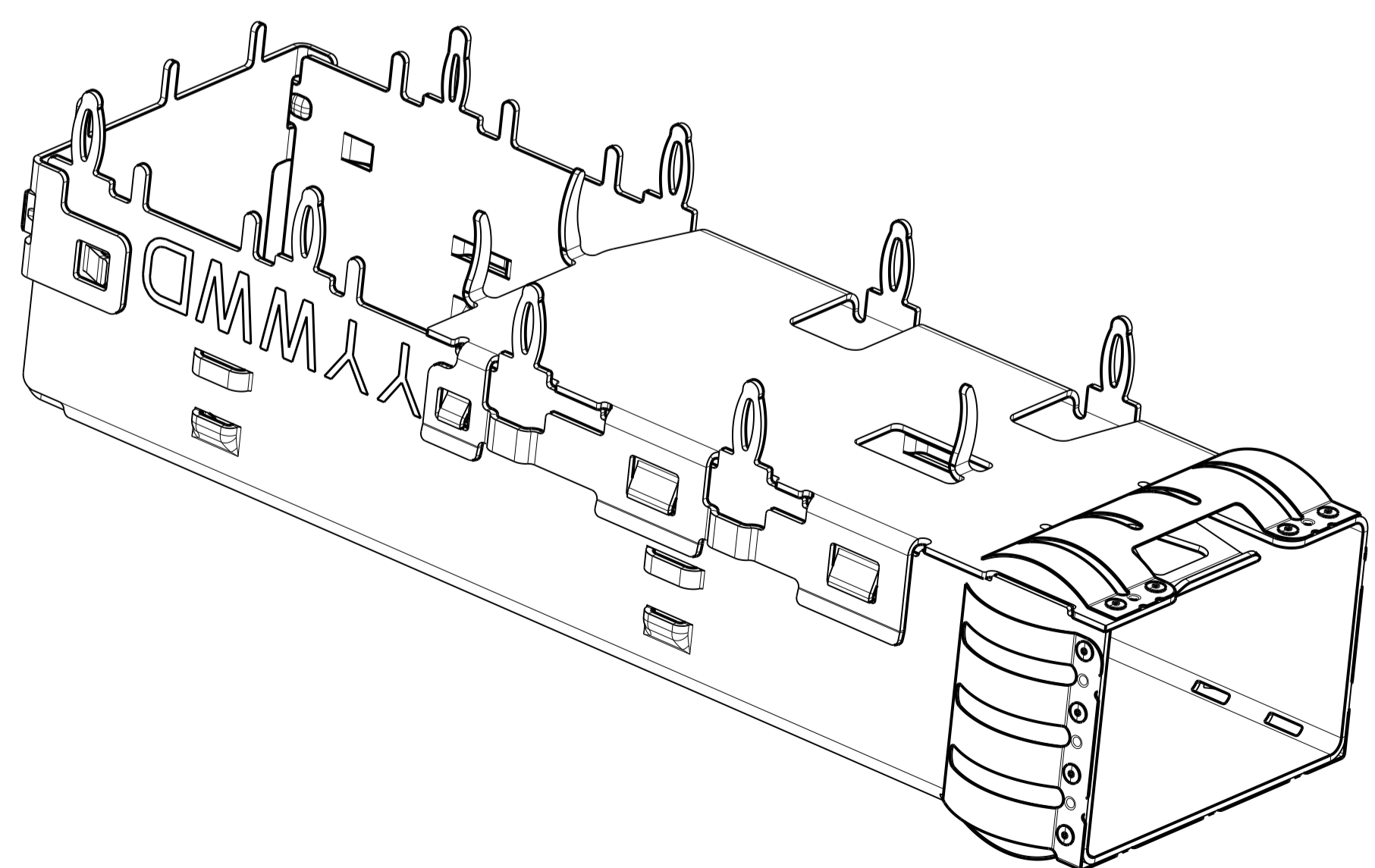


2170680-1, 2170680-4
 SCALE 4:1

2170680-3
 SCALE 4:1

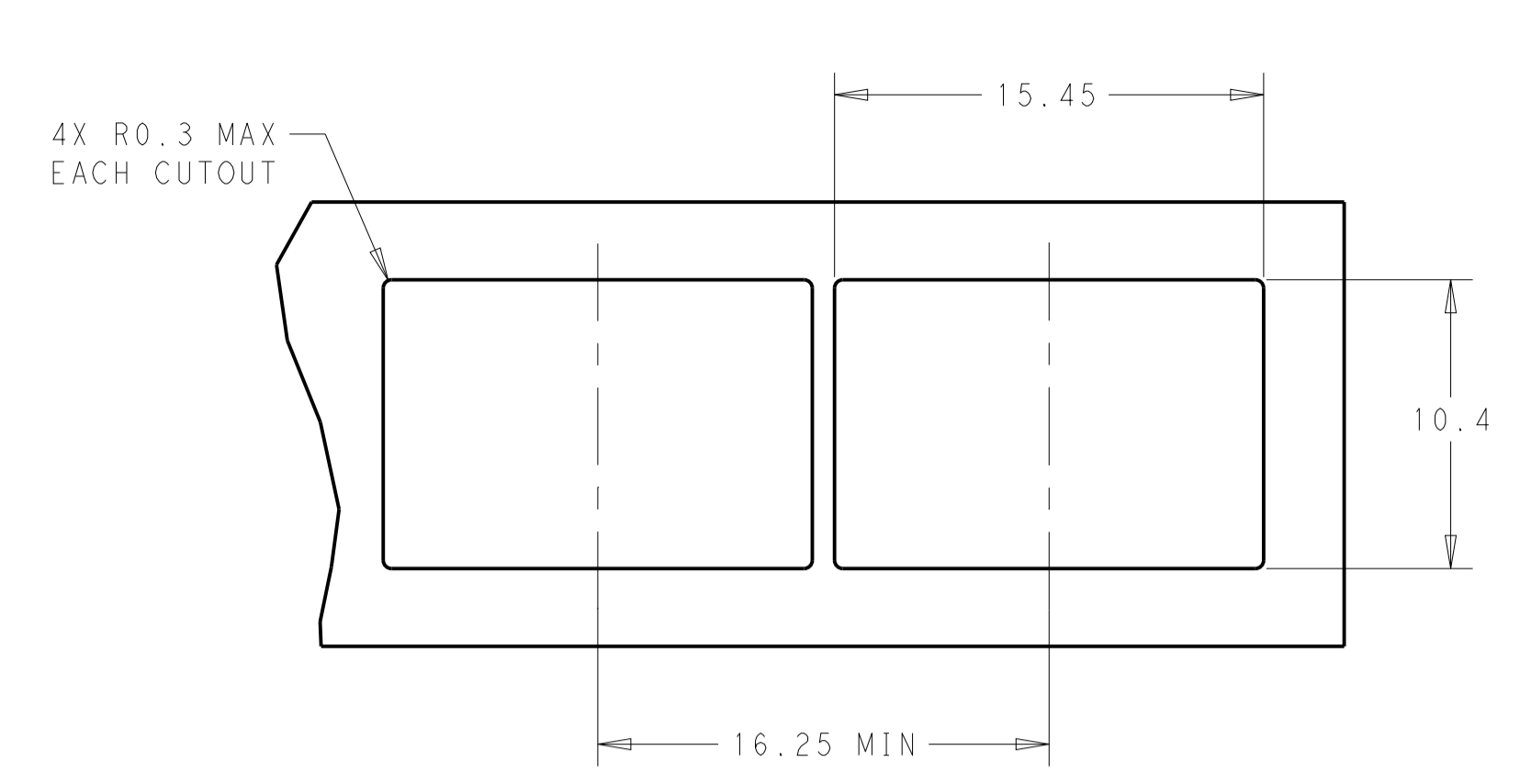
3-2170680-1
 SAME TO 2170680-1
 WITHOUT 3 LOCATE PIN
 SCALE 4:1

2-2170680-1
 SAME TO 2170680-1 EXCEPT WO KICK-OUT SPRING

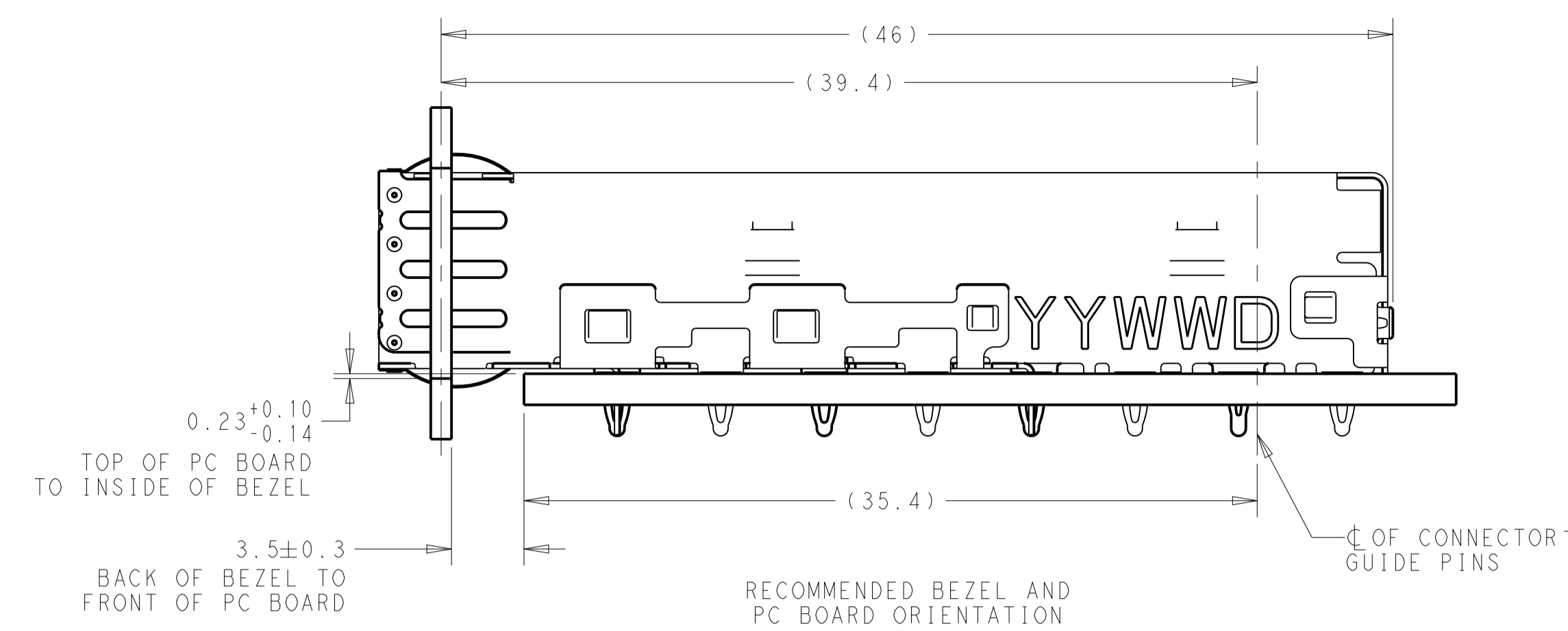


THIS DRAWING IS A CONTROLLED DOCUMENT.		OWN: CHARLES WAN 24DEC2014	STE TE Connectivity
DIMENSIONS: 1 IN		CHK: SEAN HAN 24DEC2014	
TOLERANCES UNLESS OTHERWISE SPECIFIED:		APVD: SEAN HAN 24DEC2014	NAME: SFP+ 1X1 CAGE ASSEMBLY, PRESS-FIT PRESS-FIT, EMI SPRINGS
0 PLC ±0.1		PRODUCT SPEC: 108-2364	
1 PLC ±.1		APPLICATION SPEC: 114-13120	SIZE: A1
2 PLC ±.1		WEIGHT: -	CAGE CODE: 00779
3 PLC ±.05		FINISH: -	DRAWING NO: C=2170680
4 PLC ±.05		CUSTOMER DRAWING	RESTRICTED TO: -
ANGLES ±.05		SCALE: 6:1	SHEET: 2 OF 5
MATERIAL: -		REV: B	

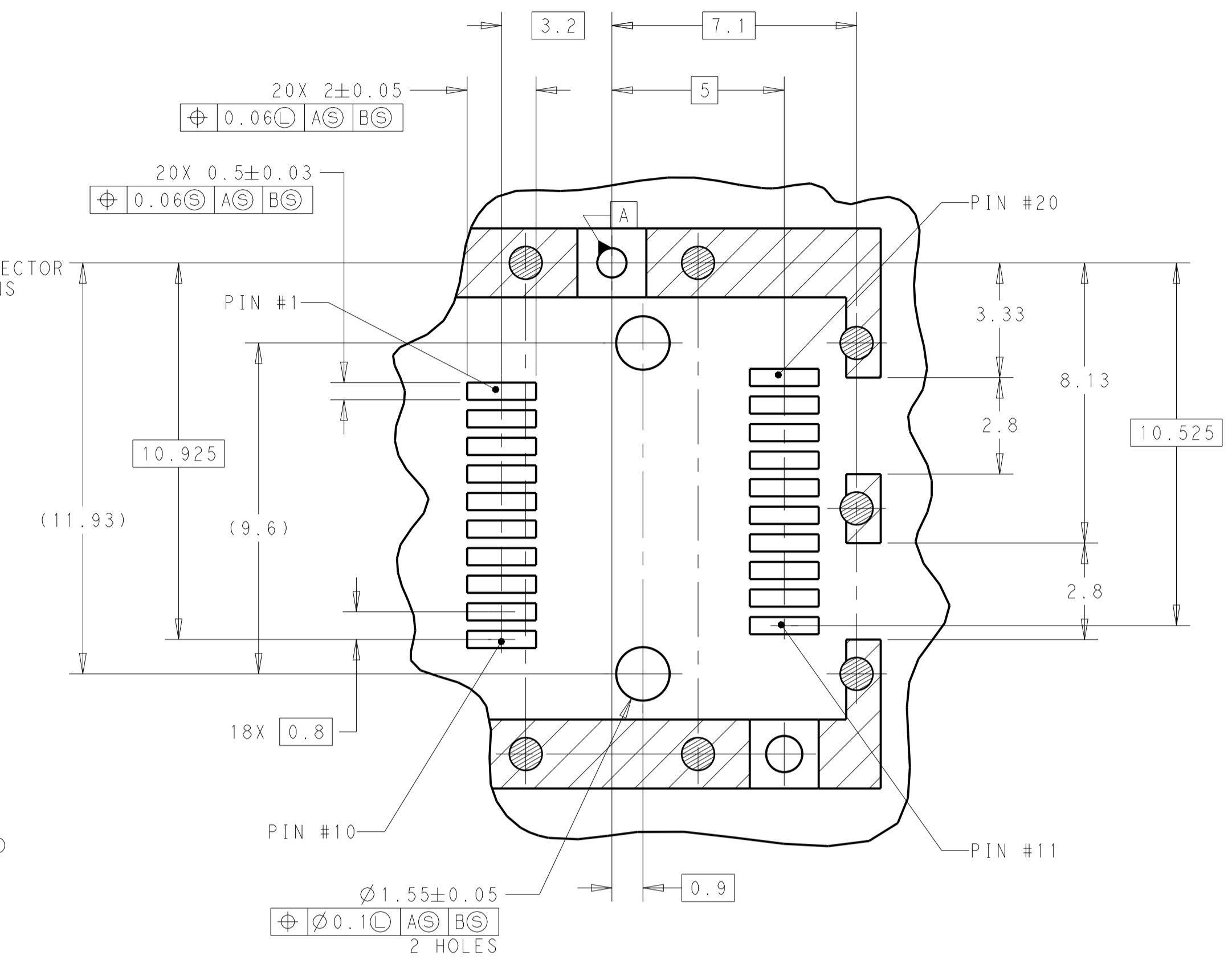
REVISONS		DATE	OWN	APVD
1	SEE SHEET 1			



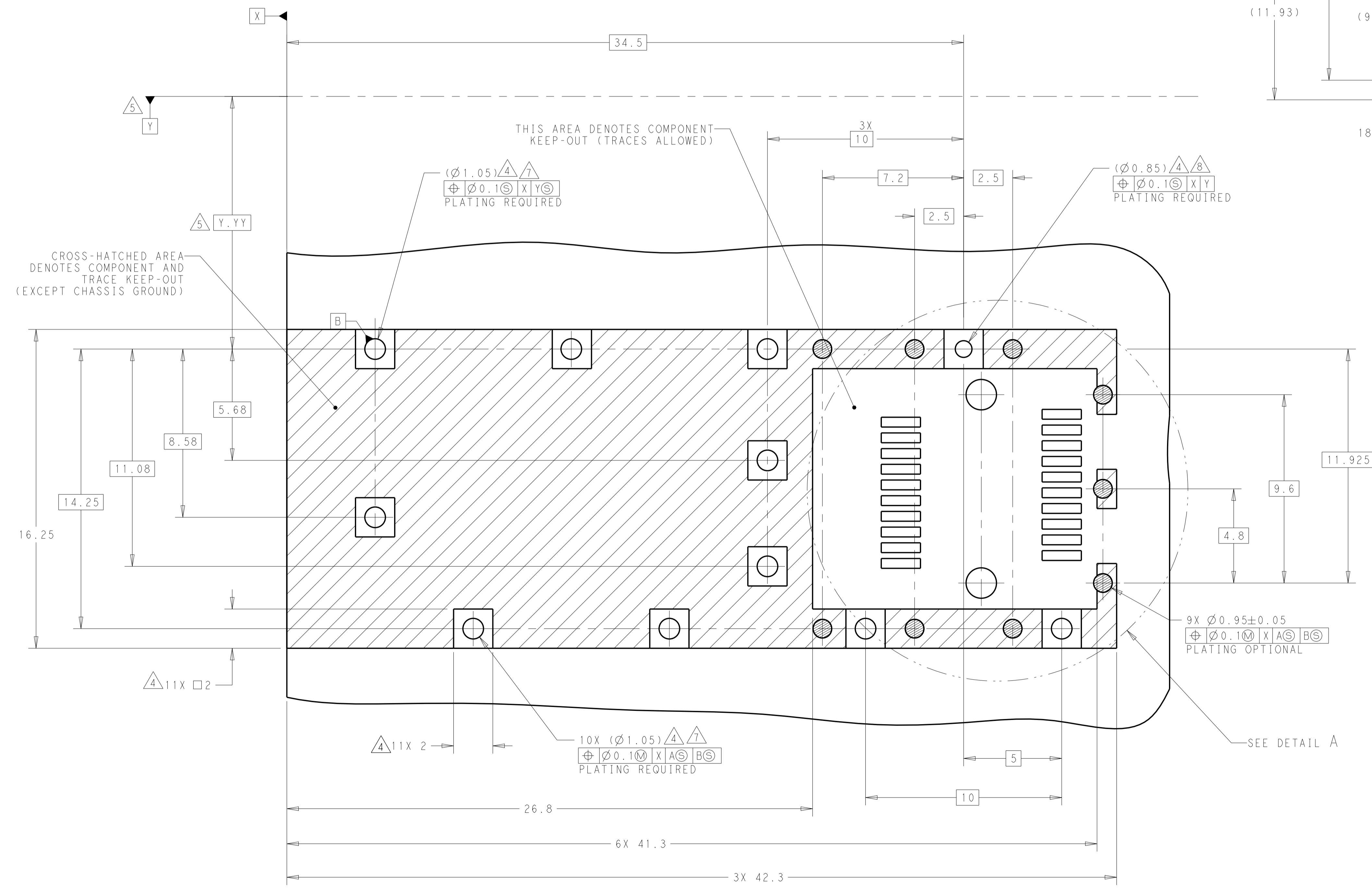
RECOMMENDED BEZEL CUTOUT
SCALE 4:1



RECOMMENDED BEZEL AND
PC BOARD ORIENTATION
SCALE 4:1



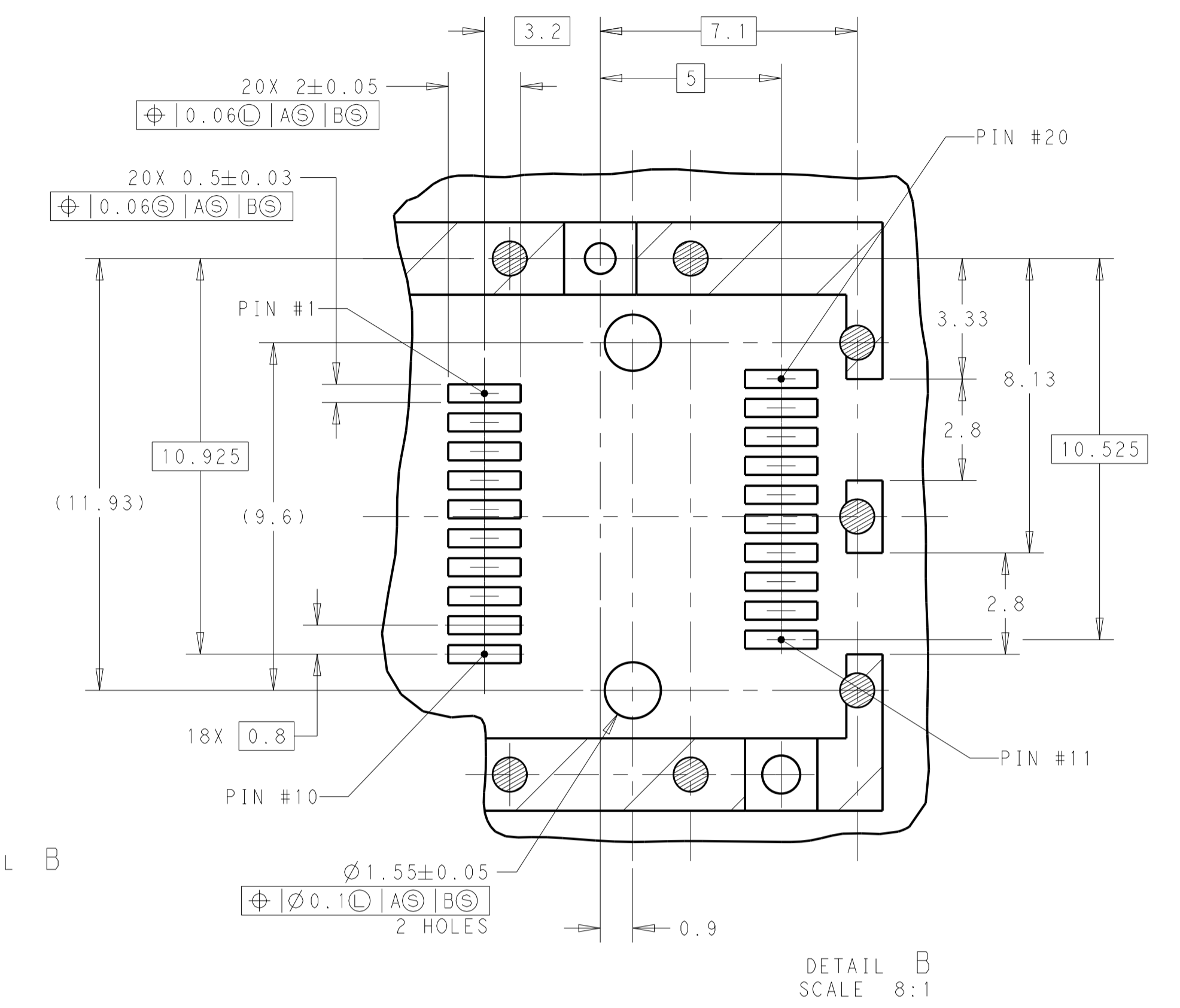
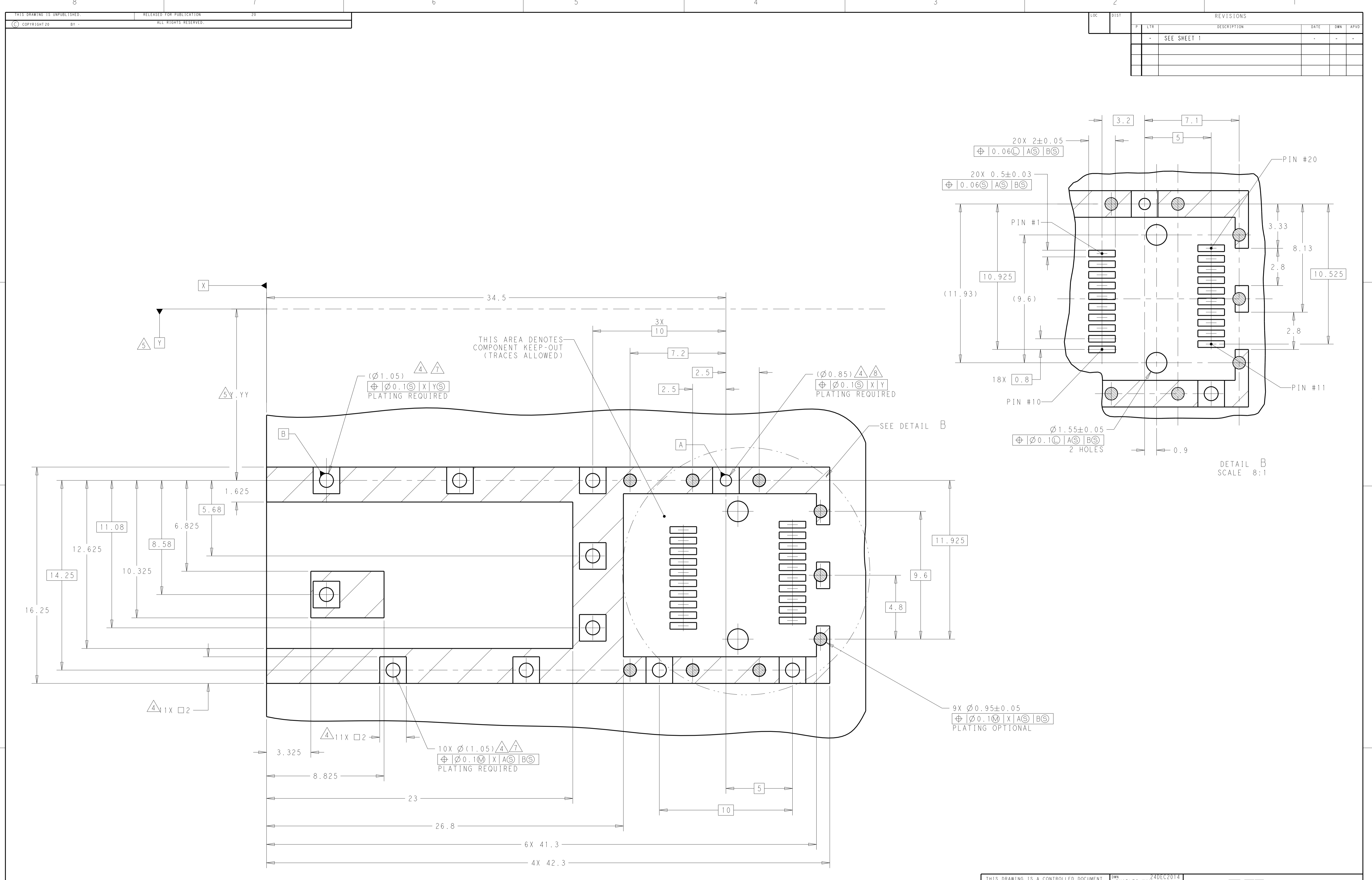
DETAIL A
SCALE 8:1



RECOMMENDED PCB LAYOUT
SCALE 8:1

THIS DRAWING IS A CONTROLLED DOCUMENT.		OWN: CHARLES WAN 24DEC2014	TE Connectivity
DIMENSIONS: IN		CHK: SEAN HAN 24DEC2014	
TOLERANCES UNLESS OTHERWISE SPECIFIED:		APVD: SEAN HAN 24DEC2014	NAME: SFP+ 1X1 CAGE ASSEMBLY, PRESS-FIT PRESS-FIT, EMI SPRINGS
0 PLC ±0.1	1 PLC ±.1	PRODUCT SPEC: 108-2364	SIZE: A1
2 PLC ±.1	3 PLC ±.05	APPLICATION SPEC: 114-13120	CAGE CODE: 100779
4 PLC ±.05	ANGLES ±.05	WEIGHT: -	DRAWING NO: C=2170680
MATERIAL: FINISH:		CUSTOMER DRAWING	SCALE: 2:1 SHEET 3 OF 5 REV B

LOC	DIST	REV	DATE	BY	APPD
		1			
		2			
		3			
		4			
		5			

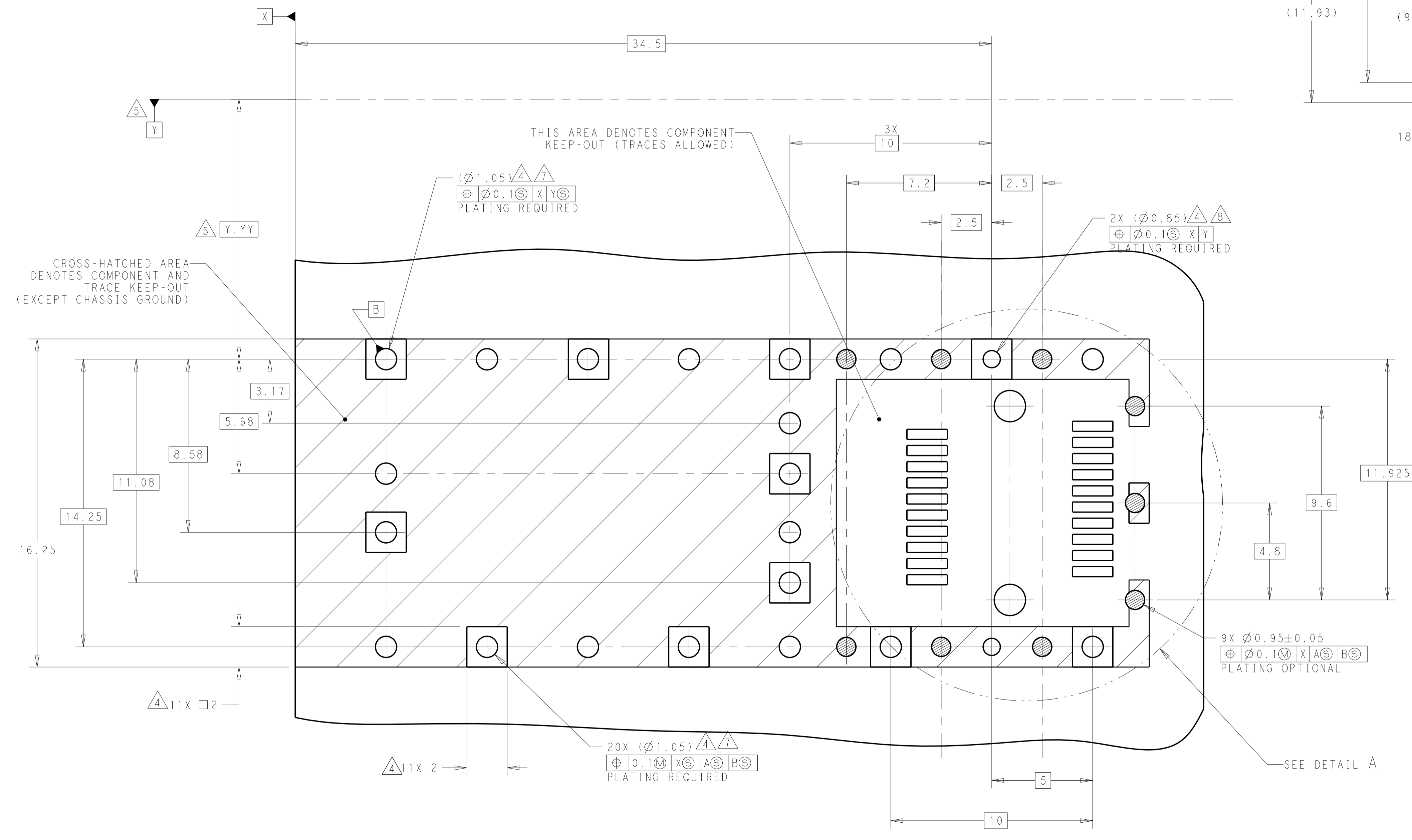
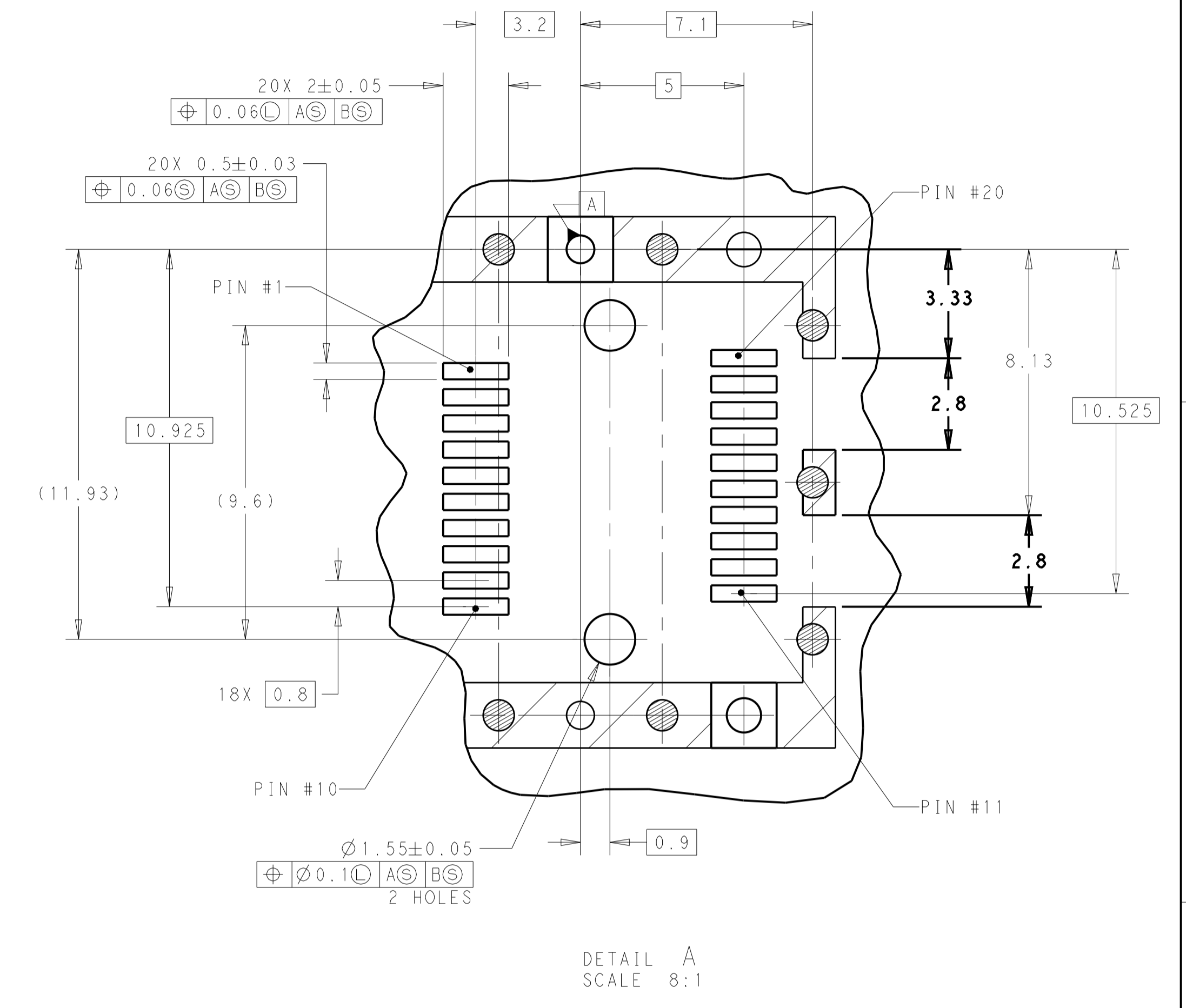
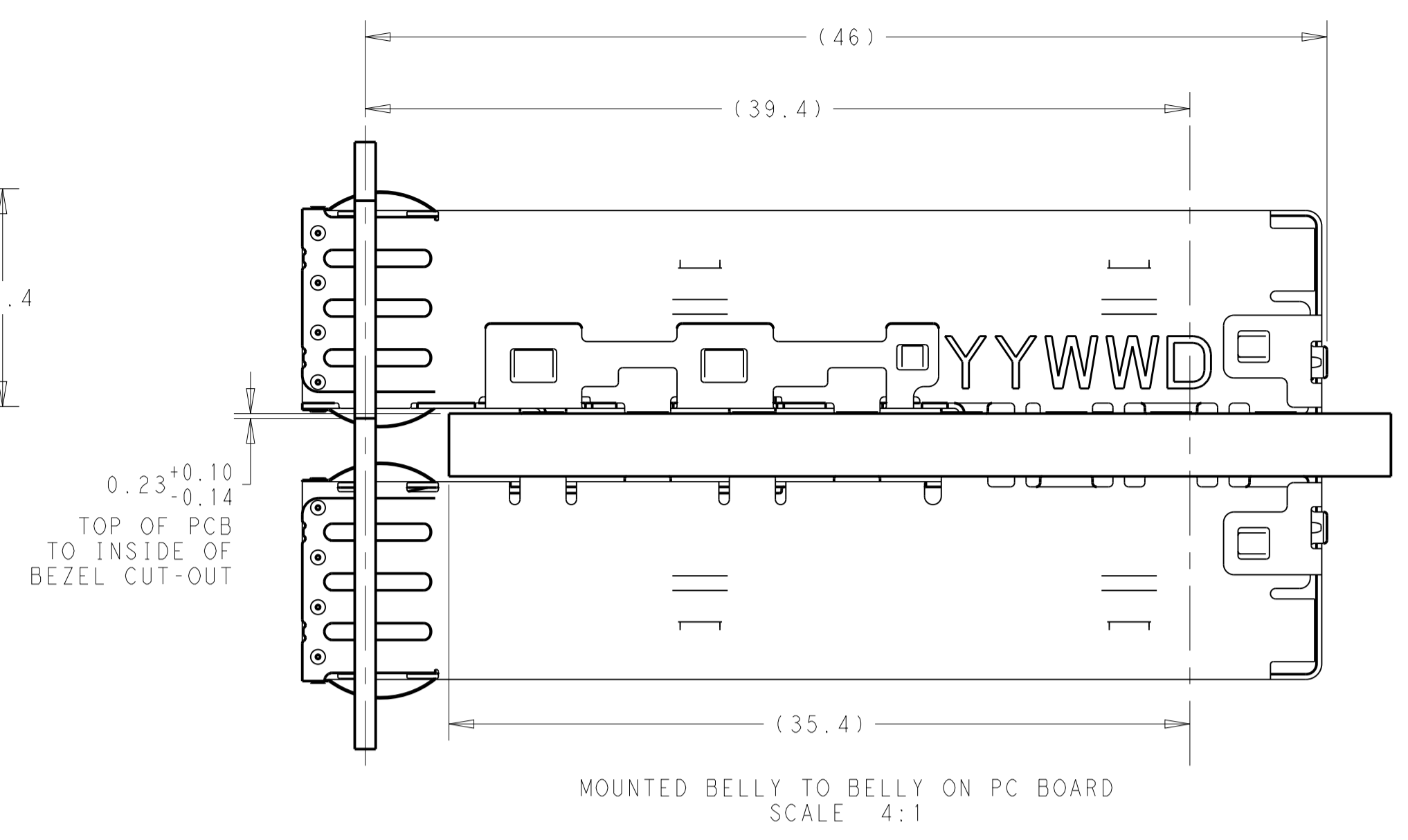
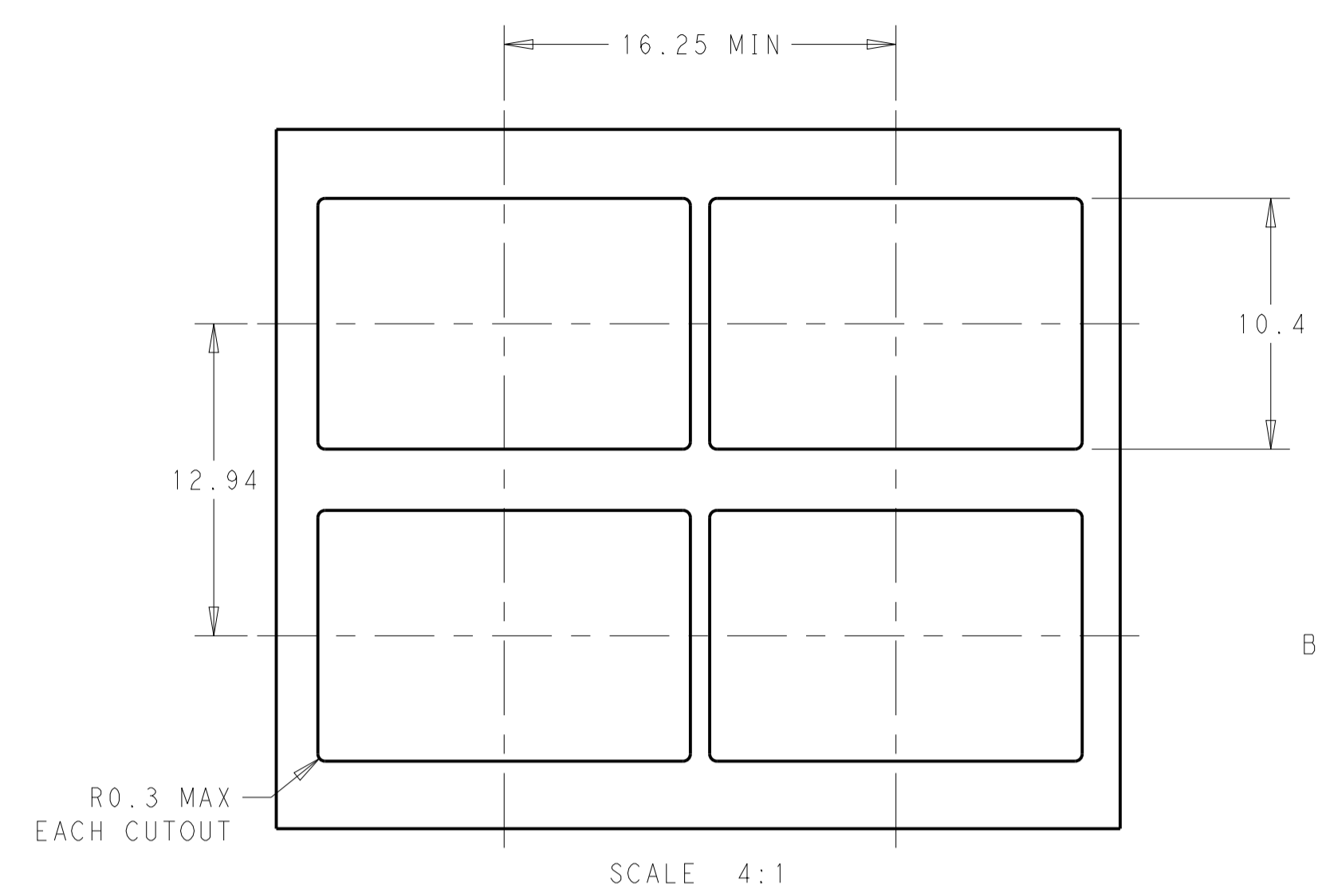


RECOMMENDED PCB LAYOUT FOR WITH INSULATING TAPE PART
 SCALE 8:1

THIS DRAWING IS A CONTROLLED DOCUMENT.		OWN: CHARLES WAN 24DEC2014	TE Connectivity
DIMENSIONS: IN		CHK: SEAN HAN 24DEC2014	
TOLERANCES UNLESS OTHERWISE SPECIFIED:		APPD: SEAN HAN 24DEC2014	NAME: SFP+ 1X1 CAGE ASSEMBLY, PRESS-FIT PRESS-FIT, EMI SPRINGS
0 PLC ± 0.1	1 PLC ± 0.1	PRODUCT SPEC: 108-2364	SIZE: A100779C=2170680
2 PLC ± 0.1	3 PLC ± 0.05	APPLICATION SPEC: 114-13120	RESTRICTED TO: -
4 PLC ± 0.05	ANGLES ± 0.5	WEIGHT: -	SCALE: 2:1 SHEET 4 OF 5 REV B
MATERIAL: FINISH:		CUSTOMER DRAWING	

LOC	DIST	REV	DATE	BY	APPD
		1			

REVISIONS		DATE	BY	APPD
1	SEE SHEET 1			



THIS DRAWING IS A CONTROLLED DOCUMENT.		OWN: CHARLES WAN 24DEC2014	TE Connectivity
DIMENSIONS: 1 IN		CHK: SEAN HAN 24DEC2014	
TOLERANCES UNLESS OTHERWISE SPECIFIED:		APPD: SEAN HAN 24DEC2014	NAME: SFP+ 1X1 CAGE ASSEMBLY, PRESS-FIT PRESS-FIT, EMI SPRINGS
0 PLC ±0.1	1 PLC ±.1	PRODUCT SPEC: 108-2364	SIZE: A1
2 PLC ±.1	3 PLC ±.05	APPLICATION SPEC: 114-13120	CAGE CODE: C=2170680
4 PLC ±.05	ANGLES ±.05	WEIGHT: -	RESTRICTED TO: -
MATERIAL: -	FINISH: -	CUSTOMER DRAWING	SCALE: 1:1 SHEET 5 OF 5 REV B

单击下面可查看定价，库存，交付和生命周期等信息

[>>TE Connectivity\(泰科\)](#)