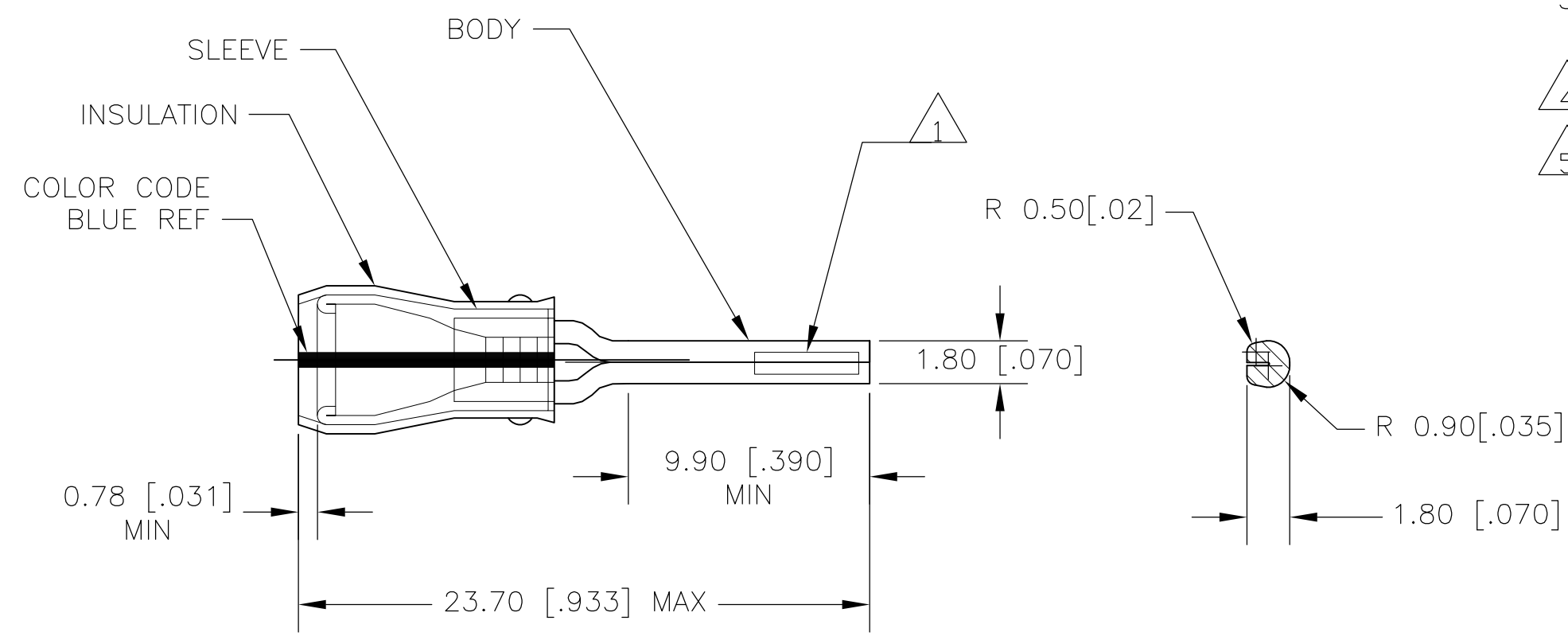


THIS DRAWING IS UNPUBLISHED. RELEASED FOR PUBLICATION
 © COPYRIGHT BY TYCO ELECTRONICS CORPORATION. ALL RIGHTS RESERVED.

| LOC | DIST | REVISIONS | | | | | |
|-----|------|-----------|-----|-----------------------|---------|-----|------|
| G | 14 | P | LTR | DESCRIPTION | DATE | DWN | APVD |
| | | | A | REL PER ECR 08-007569 | 25MAR08 | JR | TM |

- 1 STAMP AMP 16-14*
- 2 WIRE INSULATION DIA: 2.9-4.3
[.115-.170]
- 3 TONGUE MATERIAL THK: 0.78±0.05
[.031±.002]
- 4 BODY & SLEEVE: TIN PLATE PER
ASTM B545,
- 5 BODY & SLEEVE- CU PER ASTM B152
INSULATION - PVF2, COLOR - NATURAL



| 1000 | LOOSE PIECE | 1958192-1 |
|------|--------------|-----------|
| QTY | PACKAGE TYPE | PART NO |

| | | | | | | | | | |
|----------------------------------------------------------------------------------|----------------------------------------------|-------------------------------------------------------------------------------------------------------------------------------------------------------------------------------|----------------------------------------|---------------------------------------------------------------------------------------|----------------------------------|-----------------------------------------------------------|--------------------|-------------------------|--------------------|
| AMP INCORPORATED CUSTOMER SERVICE SYSTEMS | | MAX RECOMMENDED OPERATING TEMPERATURE: 150°C MAX | THIS DRAWING IS A CONTROLLED DOCUMENT. | | DWN JR RUTH 30JAN08 | Tyco Electronics Corporation Harrisburg, Pa 17105-3608 | | | |
| FOR ADDITIONAL PRODUCT INFORMATION OR COPIES OF DRAWINGS AND TECHNICAL DOCUMENTS | PRODUCT INFORMATION CENTER 1-800-522-6752 | VOLTAGE RATING: 300 MAX | DIMENSIONS: MM [INCHES] | TOLERANCES UNLESS OTHERWISE SPECIFIED: | CHK T MICHIELUTTI 30JAN08 | NAME T MICHIELUTTI | | | |
| FOR APPLICATION TOOLING INFORMATION | TOOLING ASSISTANCE CENTER 1-800-722-1111 | CIRCULAR MIL AREA: 1.04-2.62mm² [2,050-5,180] STRANDED | | 0 PLC ± - 1 PLC ± - 2 PLC ± 0.20 [.008] 3 PLC ± - 4 PLC ± - ANGLES ± - | APVD T MICHIELUTTI 30JAN08 | PRODUCT SPEC - APPLICATION SPEC - | | | |
| FOR ORDER ENTRY | 1-800-526-5142 | THIS DRAWING IS A CONTROLLED DOCUMENT FOR AMP INCORPORATED. IT IS SUBJECT TO CHANGE AND THE CONTROLLING ENGINEERING ORGANIZATION SHOULD BE CONTACTED FOR THE LATEST REVISION. | MATERIAL - 5 | FINISH - 4 | WEIGHT - | SIZE A3 | CAGE CODE 00779 | DRAWING NO G-1958192 | RESTRICTED TO - |
| CUSTOMER DRAWING | | | | | SCALE 4:1 | SHEET 1 OF 1 | REV A | | |

单击下面可查看定价，库存，交付和生命周期等信息

[>>TE Connectivity\(泰科\)](#)