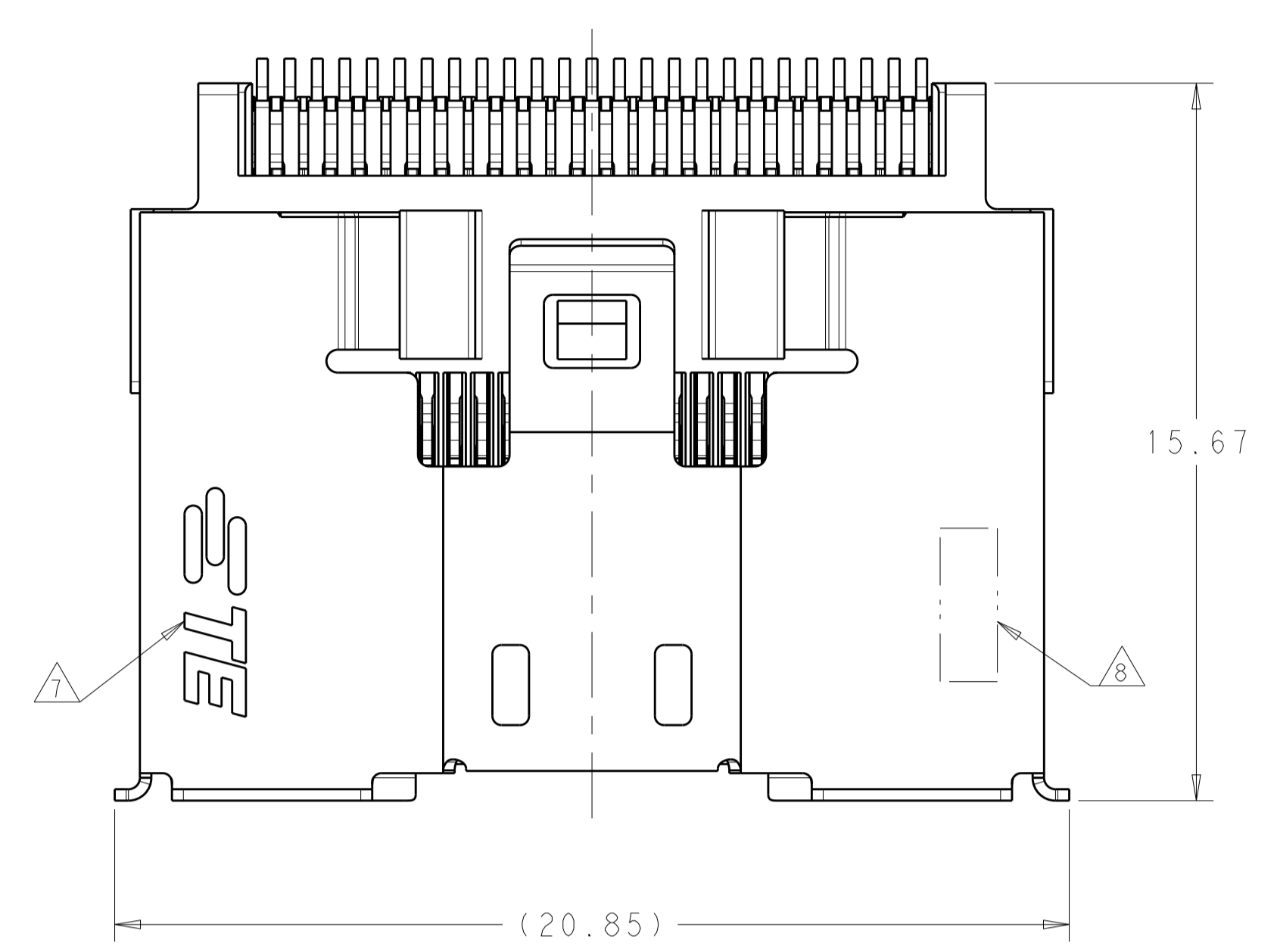
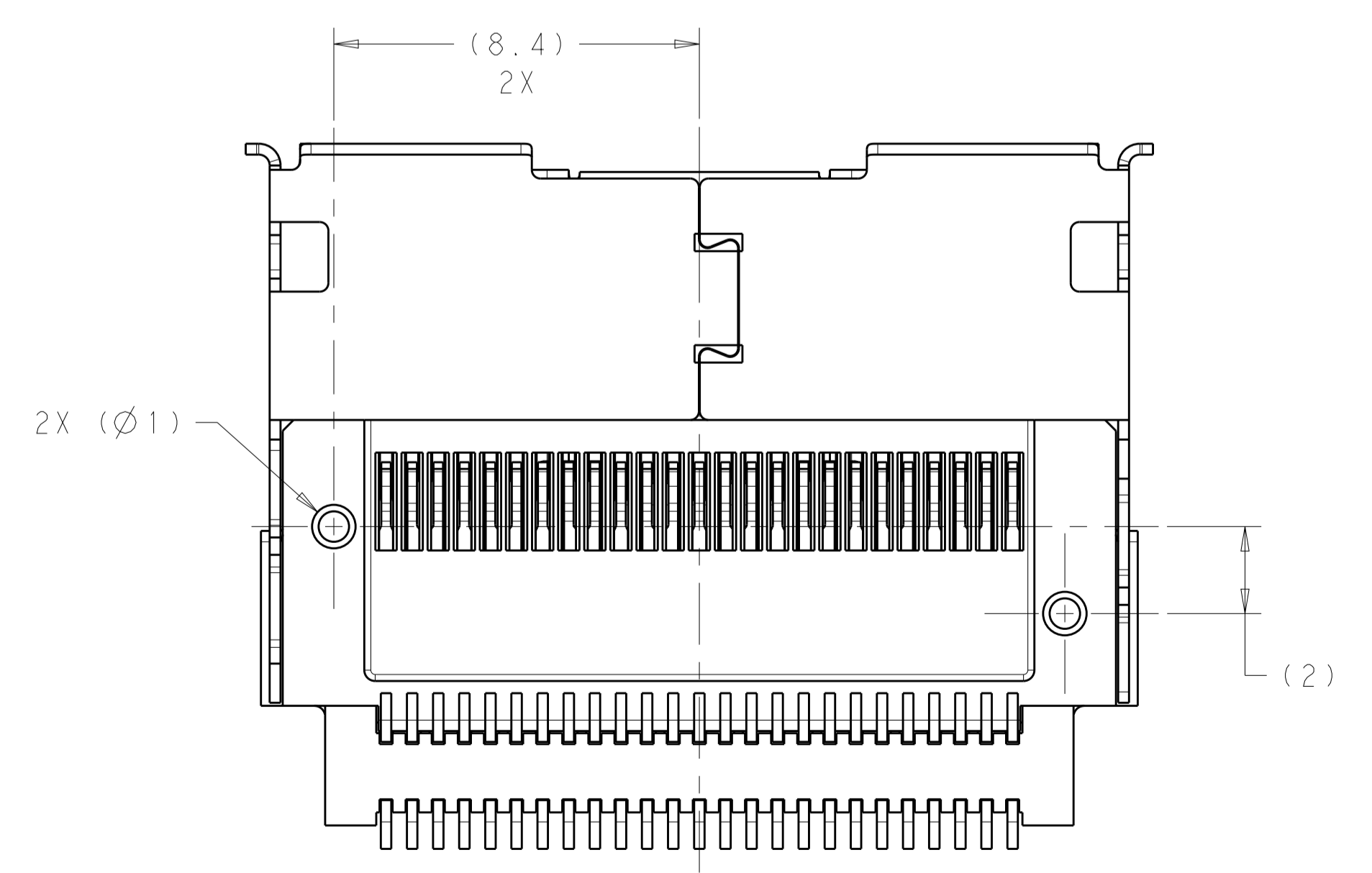
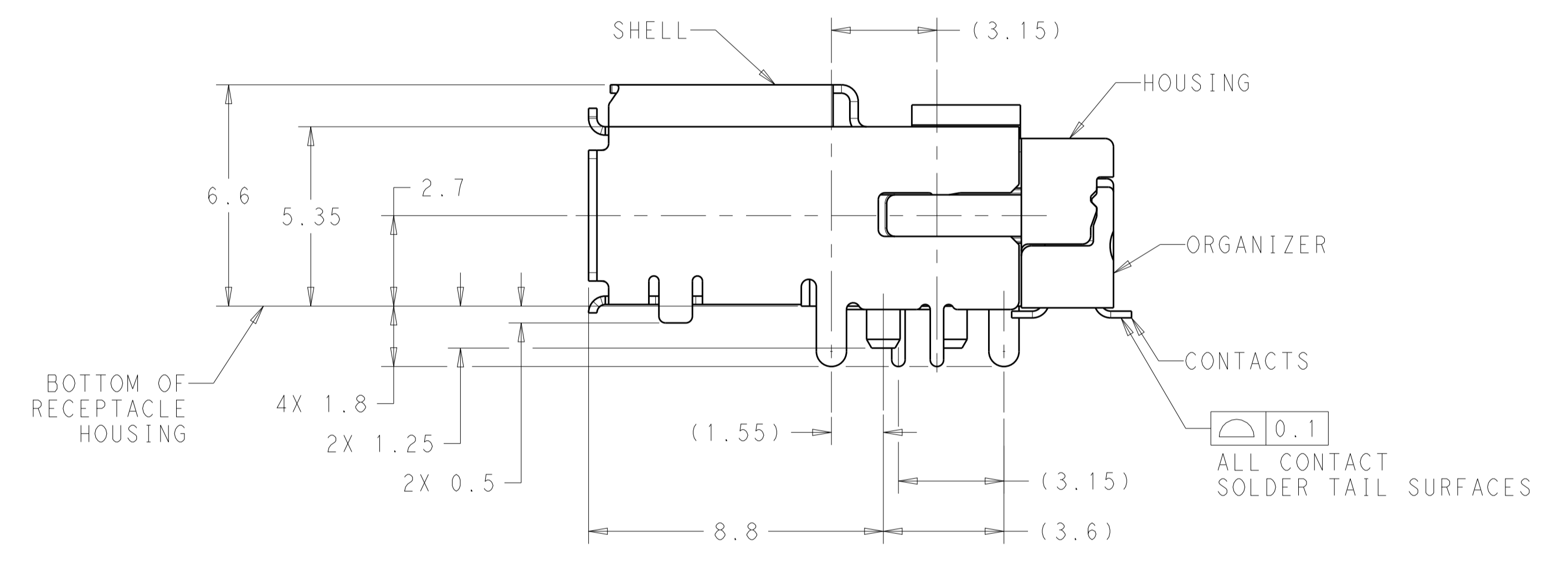
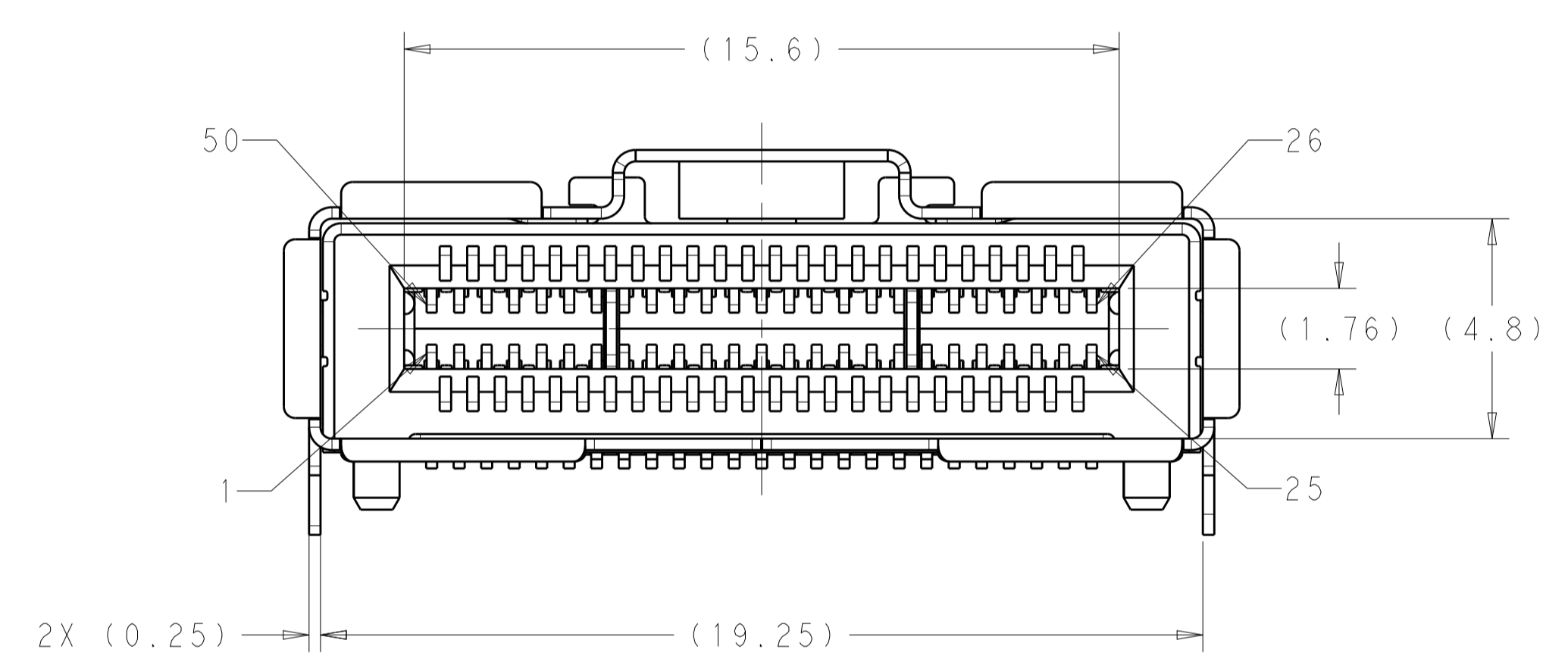


REVISIONS				
P.	LTN	DESCRIPTION	DATE	APVD
A		RELEASED	15JUN2017	CJV EDB
B		REVISED PER ECO-17-014247	21SEP2017	MS MP
C		REVISED PER ECO-19-011393	11NOV2019	TX DZ



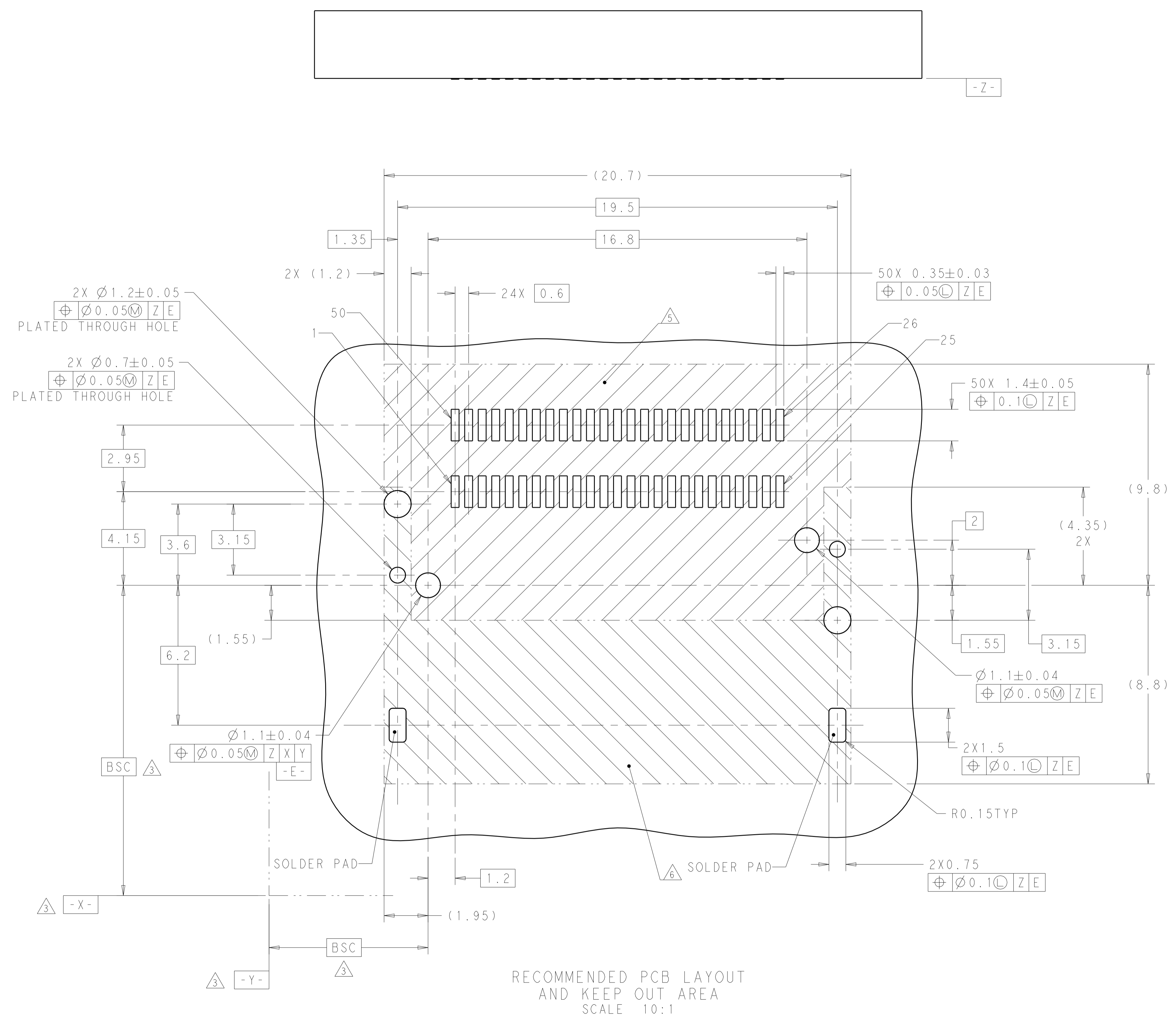
- ① HOUSING, ORGANIZER AND CONTACT OVERMOLD: LCP, BLACK, UL94 V-0 RATED. CONTACTS: COPPER ALLOY. SHELL: COPPER ALLOY, NICKEL PLATED. TIN PLATED ON HOLD DOWNS.
- ② 0.76µm MIN. GOLD PLATED ON MATING INTERFACE. 2.54µm MIN MATTE TIN PLATED ON SOLDER TAILS. 1.27µm MIN NICKEL UNDERPLATED OVERALL.
- ③ DATUM AND BASIC DIMENSION ESTABLISHED BY CUSTOMER.
- 4. MINIMUM PC BOARD THICKNESS:
 SINGLE SIDED = 1.42 MIN.
 DOUBLE SIDED = 2 MIN.
- ⑤ RECOMMENDED COMPONENT KEEP OUT AREA.
- ⑥ RECOMMENDED COMPONENT AND TRACES KEEP OUT AREA.
- ⑦ TE CONNECTIVITY LOGO MARKED IN APPROXIMATE AREA SHOWN.
- ⑧ PART NUMBER AND DATE CODE MARKED IN APPROXIMATE AREA SHOWN.



2292055-1
 PART NUMBER

THIS DRAWING IS A CONTROLLED DOCUMENT.		DWN: M. SHIRK 06APR2015	TE Connectivity
		CHK: M. PHILLIPS 06APR2015	
DIMENSIONS:		NAME: RECEPTACLE CONNECTOR, RIGHT ANGLE, 50 POSITION, SLIVER	
TOLERANCES UNLESS OTHERWISE SPECIFIED:		PRODUCT SPEC	
mm		APPLICATION SPEC	
0 PLC ±0.15 1 PLC ±0.15 2 PLC ±0.15 3 PLC ± 4 PLC ± ANGLES ±		SIZE: A1 CAGE CODE: 2292055 DRAWING NO: 2292055	
MATERIAL		WEIGHT	
FINISH		CUSTOMER DRAWING	
SCALE: 8:1		SHEET 1 OF 2 REV C	

REVISIONS				
P.	LTN.	DESCRIPTION	DATE	APVD.
-	-	SEE SHEET 1	-	-



PIN #	DESCRIPTION	PIN #	DESCRIPTION
1	SIGNAL GROUND	50	SIGNAL GROUND
2	SIGNAL	49	SIGNAL
3	SIGNAL	48	SIGNAL
4	SIGNAL GROUND	47	SIGNAL GROUND
5	SIGNAL	46	SIGNAL
6	SIGNAL	45	SIGNAL
7	SIGNAL GROUND	44	SIGNAL GROUND
8	SIGNAL	43	SIGNAL
9	SIGNAL	42	SIGNAL
10	SIGNAL GROUND	41	SIGNAL GROUND
11	SIGNAL	40	SIGNAL
12	SIGNAL	39	SIGNAL
13	SIGNAL GROUND	38	SIGNAL GROUND
14	SIGNAL	37	SIGNAL
15	SIGNAL	36	SIGNAL
16	SIGNAL GROUND	35	SIGNAL GROUND
17	SIGNAL	34	SIGNAL
18	SIGNAL	33	SIGNAL
19	SIGNAL GROUND	32	SIGNAL GROUND
20	SIGNAL	31	SIGNAL
21	SIGNAL	30	SIGNAL
22	SIGNAL GROUND	29	SIGNAL GROUND
23	SIGNAL	28	SIGNAL
24	SIGNAL	27	SIGNAL
25	SIGNAL GROUND	26	SIGNAL GROUND

RECOMMENDED PCB LAYOUT
 AND KEEP OUT AREA
 SCALE 10:1

THIS DRAWING IS A CONTROLLED DOCUMENT.		DWN M. SHIRK 06APR2015 CHK M. PHILLIPS 06APR2015 APVD -	TE Connectivity
DIMENSIONS: mm 	TOLERANCES UNLESS OTHERWISE SPECIFIED: 0 PLC ±0.15 1 PLC ±0.15 2 PLC ±0.15 3 PLC ± 4 PLC ± ANGLES ±	NAME RECEPTACLE CONNECTOR, RIGHT ANGLE, 50 POSITION, SLIVER PRODUCT SPEC - APPLICATION SPEC - SIZE A1 CAGE CODE - DRAWING NO. C=2292055 RESTRICTED TO	
MATERIAL	FINISH	WEIGHT	CUSTOMER DRAWING SCALE 8:1 SHEET 2 OF 2 REV C

单击下面可查看定价，库存，交付和生命周期等信息

[>>TE Connectivity\(泰科\)](#)