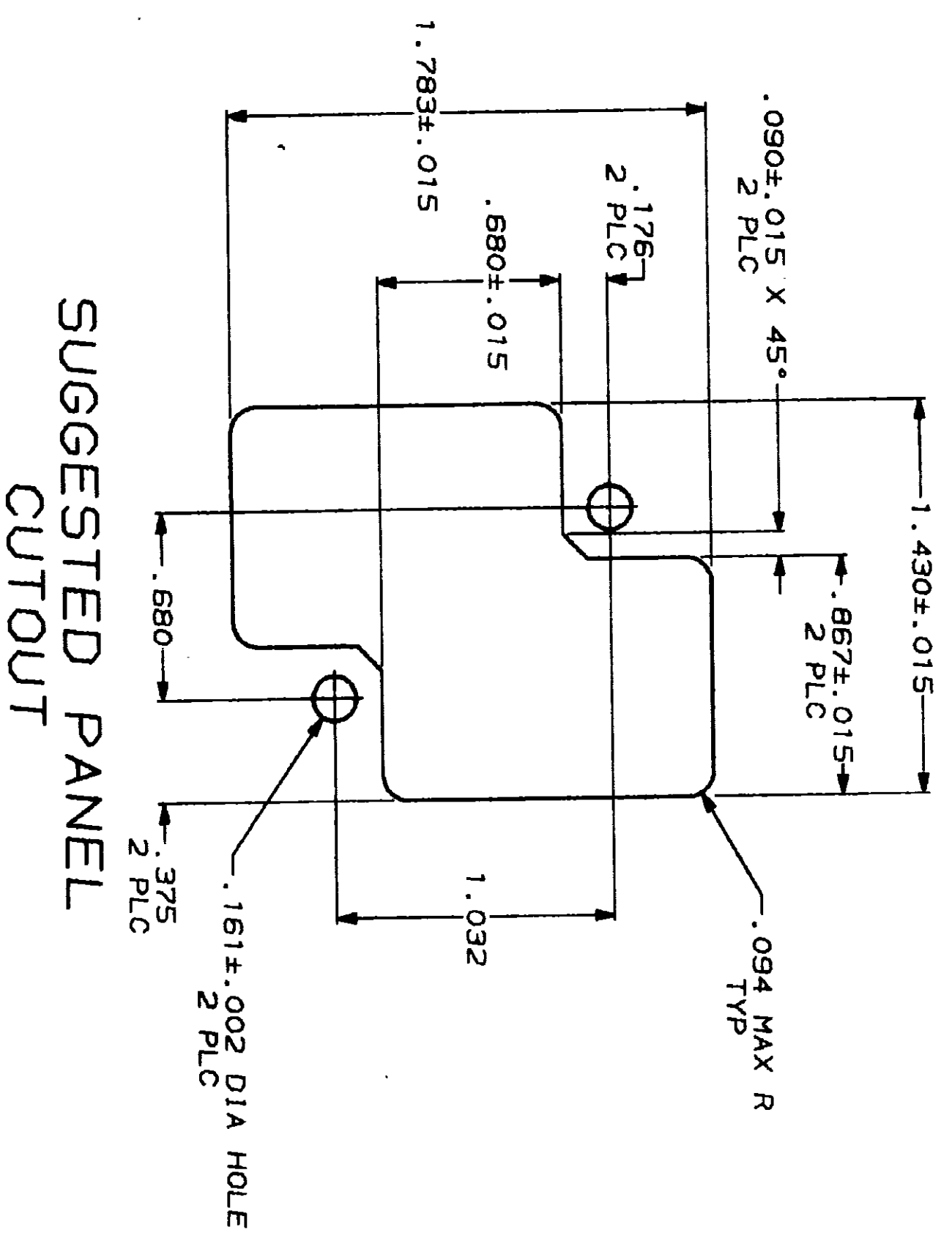
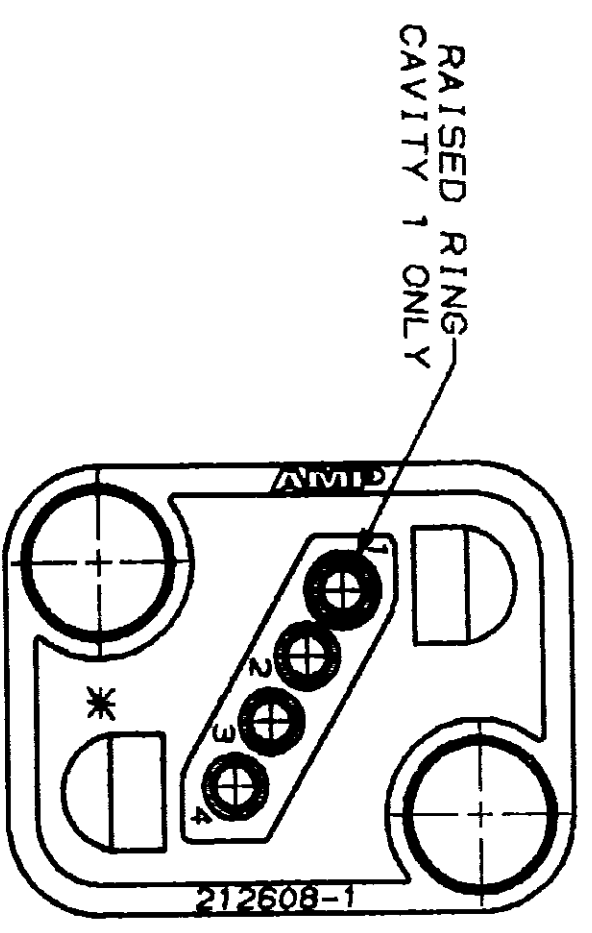
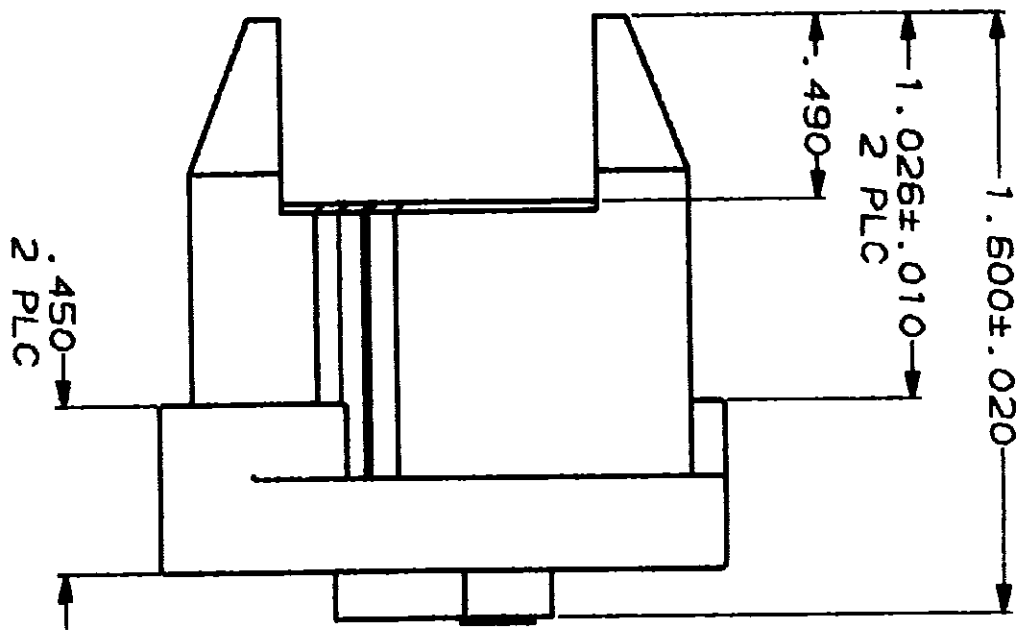
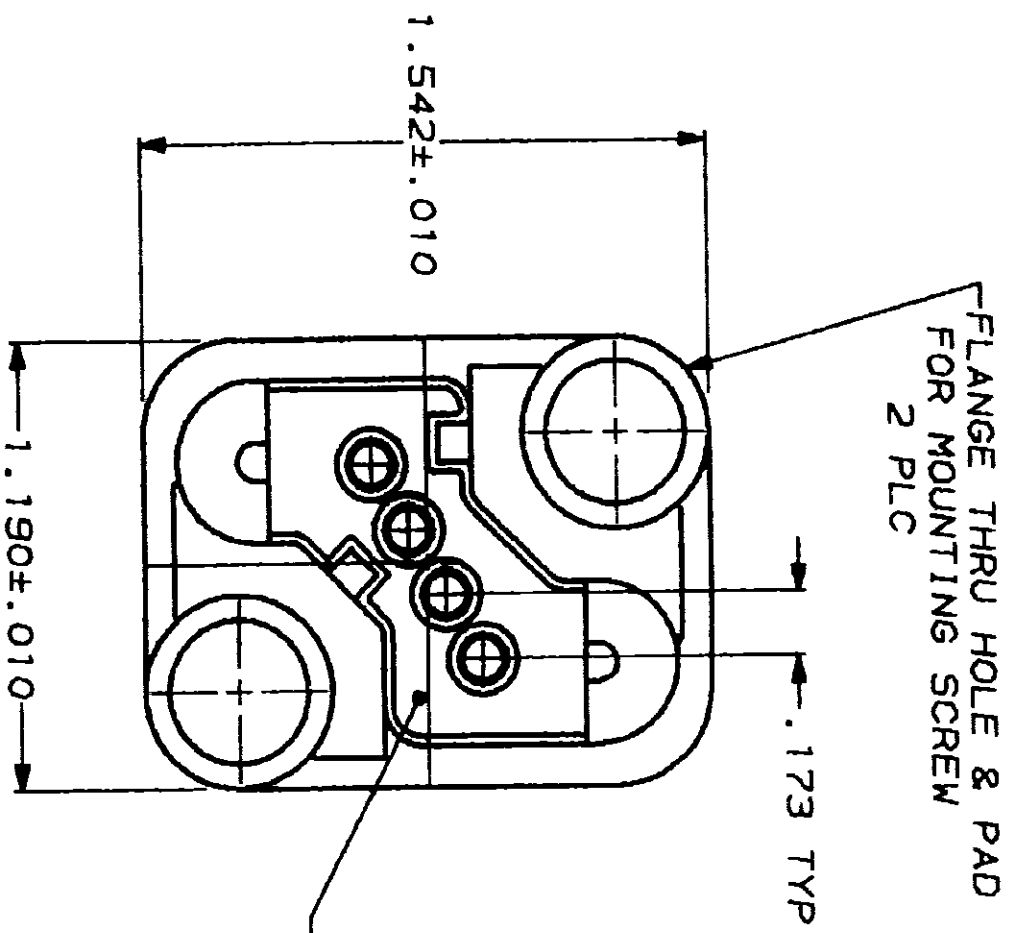


DRAWING MADE IN THIRD ANGLE PROJECTION
 THIS DRAWING IS UNPUBLISHED. RELEASED FOR PUBLICATION
 BY AMP INCORPORATED. ALL INTERNATIONAL RIGHTS RESERVED.
 © COPYRIGHT 1981

REV	BY	DATE	DESCRIPTION
1	BD	39	REDRAWN AND REV ECN BD5024



SUGGESTED PANEL CUTOUT

1. THIS CONNECTOR MATES WITH PIN HOUSING NUMBER 212609.
2. FOR MOUNTING SCREW INFORMATION SEE DRAWING NUMBER 208211.

DO NOT SCALE PRINT. UNLESS SPECIFIED DIMENSIONS IN INCHES TOLERANCES ON: 2 PLC DEC ± .005 3 PLC DEC ± .006 ANGLES		DR 05/07/91 R. SHINEY CHK - R. Shine 5-13-91 APPD A. LEVY 5/14/91 PRODUCT SPEC THERMOPLASTIC BLACK	AMP AMP Incorporated Harrisburg, PA 17105-3608
FINISH THERMOPLASTIC BLACK	APPLICATION SPEC	NAME PLUG HOUSING, DRAWER CONNECTOR, 4 POSITION, METRIMATE	PART NO 212608-1
WEIGHT	SCALE 2:1	SIZE CAGE CODE 00779	DRAWING NO 212608
		SHEET 1 OF 1	

CUSTOMER DRAWING

单击下面可查看定价，库存，交付和生命周期等信息

[>>TE Connectivity\(泰科\)](#)