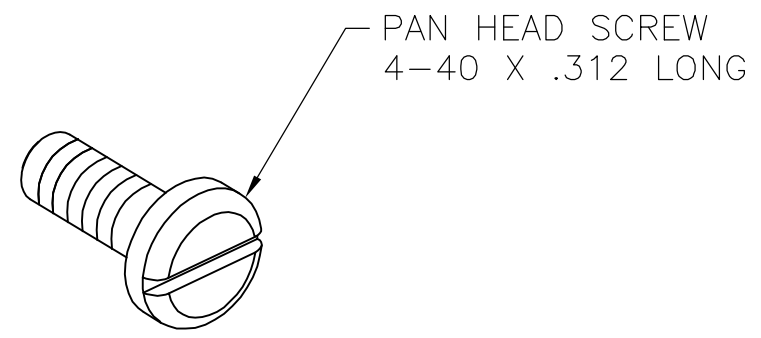
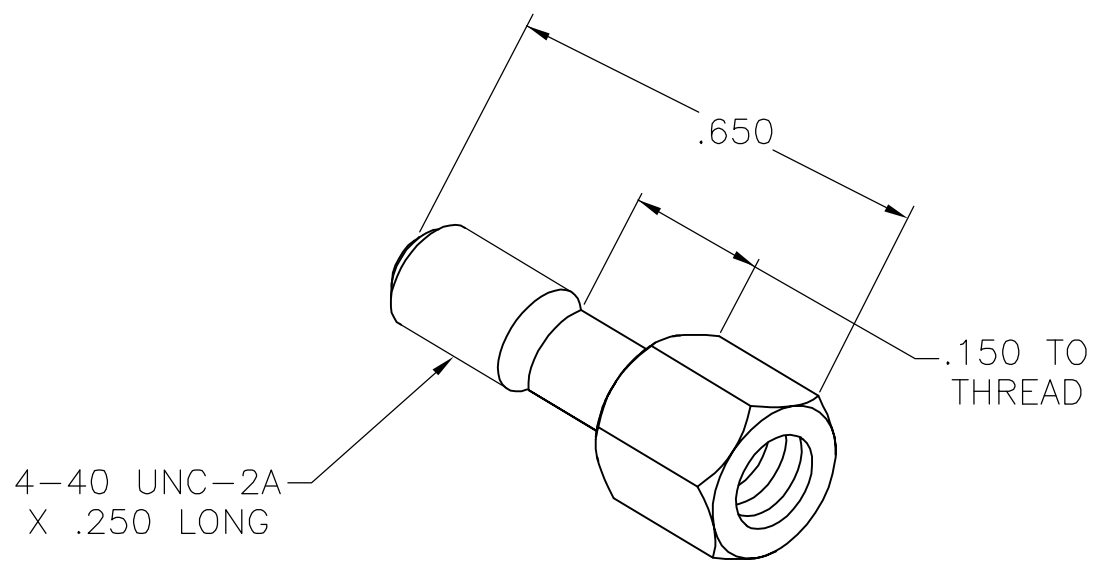


THIS DRAWING IS UNPUBLISHED. RELEASED FOR PUBLICATION
 © COPYRIGHT - BY TYCO ELECTRONICS CORPORATION. ALL RIGHTS RESERVED.

LOC	DIST	REVISIONS			
P	LTR	DESCRIPTION	DATE	DWN	APVD
	0	RELEASED PER EC OS13-0288-05	10OCT05	BM	WM



1. ALL DIMENSIONS SHOWN ARE FOR REFERENCE ONLY UNLESS OTHERWISE SPECIFIED.
2. TWO PIECES OF EACH REQUIRED PER KIT.
3. ALL HARDWARE SHIPPED UNASSEMBLED.
4. MATERIAL:
 MOUNTING STUD: ZINC PLATE WITH YELLOW TRIVALENT CHROMATE OVER STEEL.
 PAN HEAD SCREW: PASSIVATED STAINLESS STEEL.



5554272-1
 PART NUMBER

THIS DRAWING IS A CONTROLLED DOCUMENT.		DWN B. MCMASTER	10OCT05	 Tyco Electronics Corporation Harrisburg, PA 17105-3608	NAME EMI HARDWARE KIT, PRE ASSEMBLED, RIGHT ANGLE, 4-40, SCREW LOCK
DIMENSIONS: INCHES		CHK W. MILLHIMES	10OCT05		
		APVD W. MILLHIMES	10OCT05		
TOLERANCES UNLESS OTHERWISE SPECIFIED:		PRODUCT SPEC	-		
MATERIAL		FINISH		APPLICATION SPEC	-
		-		WEIGHT	-
CUSTOMER DRAWING				SIZE A3	CAGE CODE 00779
				DRAWING NO G-5554272	RESTRICTED TO -
				SCALE 2:1	SHEET 1 of 1
				REV 0	

单击下面可查看定价，库存，交付和生命周期等信息

[>>TE Connectivity\(泰科\)](#)