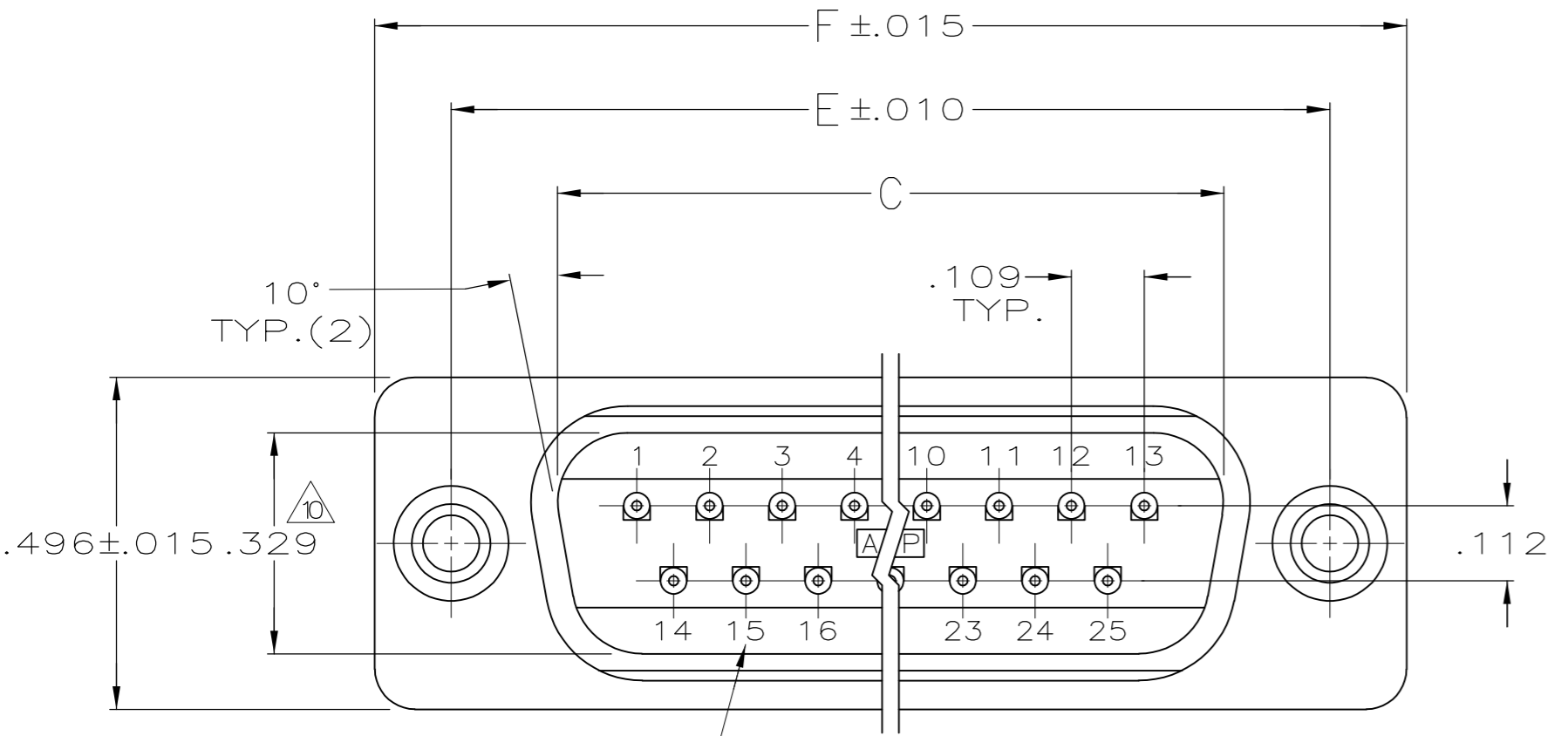
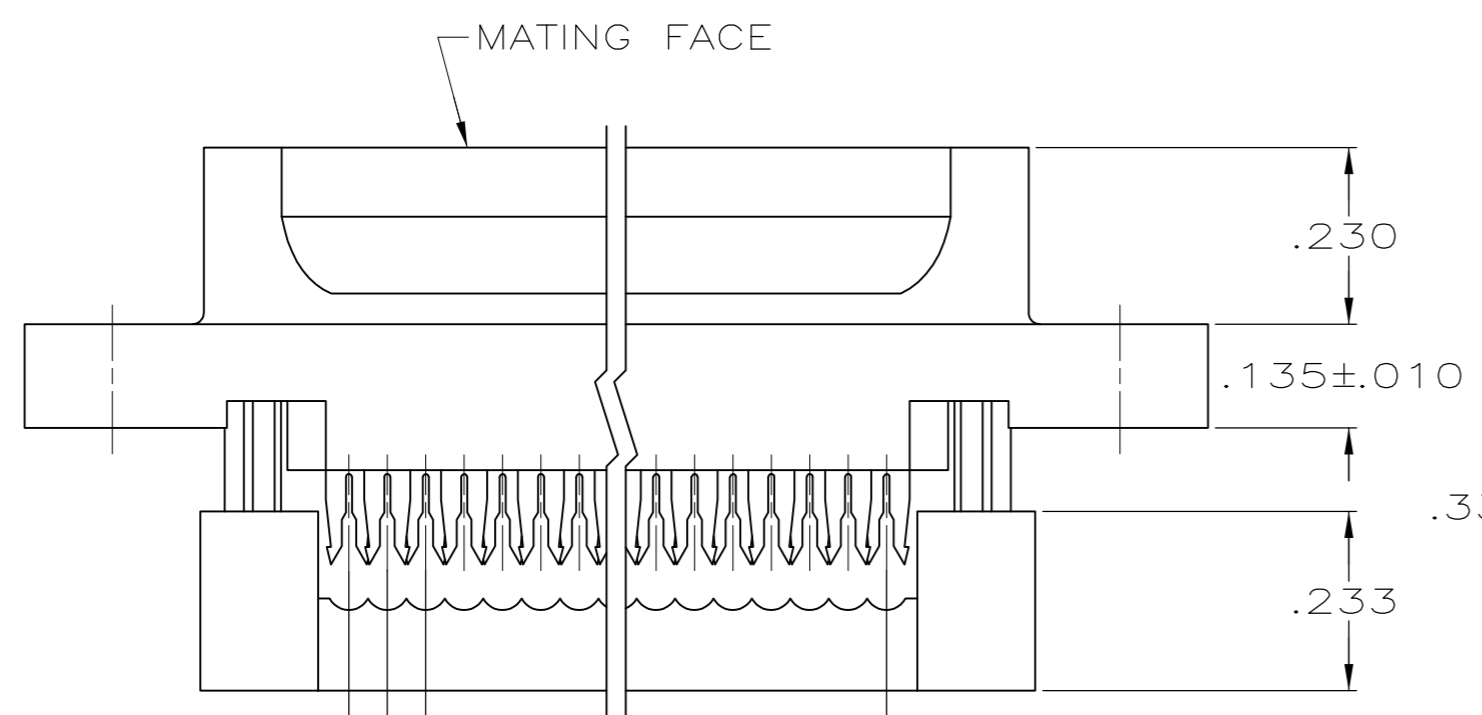


THIS DRAWING IS UNPUBLISHED. RELEASED FOR PUBLICATION  
 © COPYRIGHT - By - ALL RIGHTS RESERVED.

LOC		DIST		REVISIONS			
P	LTR	DESCRIPTION		DATE	DWN	APVD	
GP	00	D1	REVISED PER ECO-11-004835		11MAR11	RK	HMR

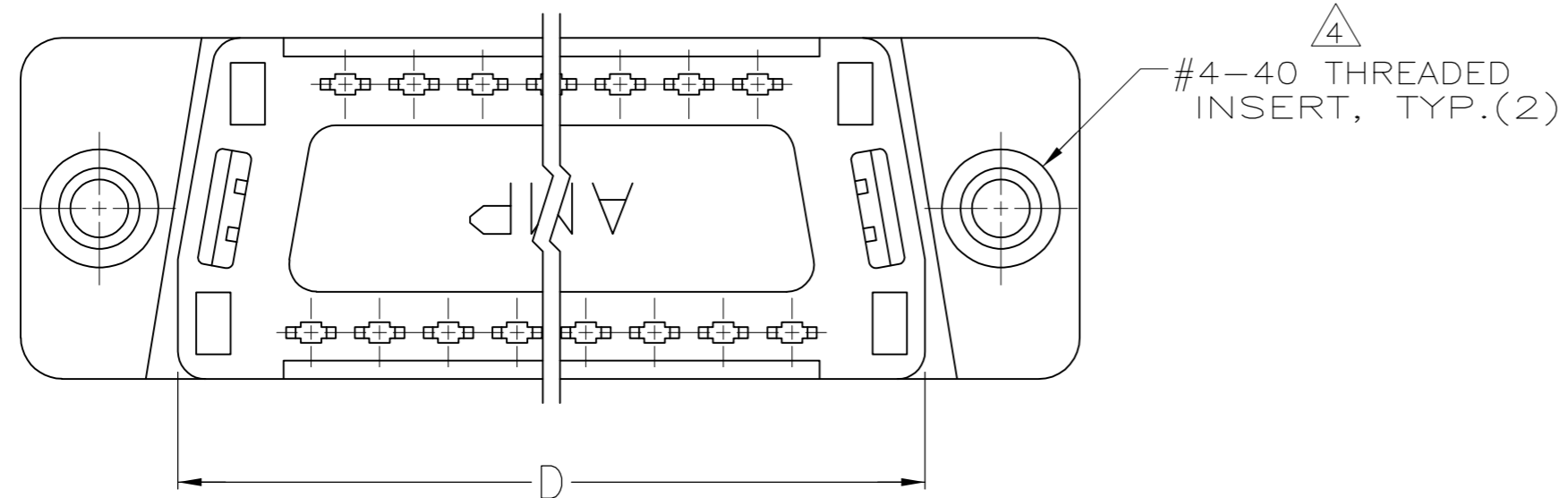
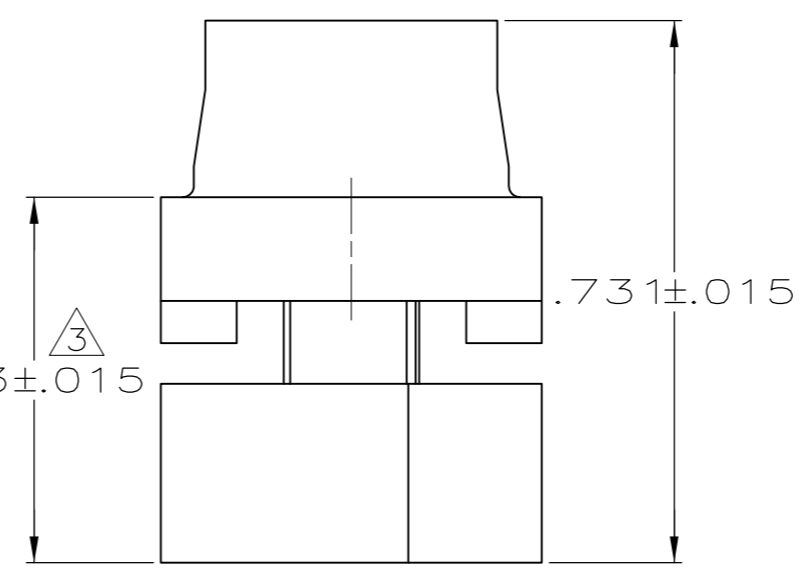


RAISED CAVITY IDENTIFICATION  
(25 POSITION SHOWN)



.050 REF.  
 .100 REF.  
 A SPACES AT .050 = B

- CONNECTORS COMPLY WITH AMP SPEC. 108-40012 AND MATE WITH ANY SAME NUMBER POSITION PLUG CONNECTOR IN AMPLIMITE SERIES.
- CONNECTOR DESIGNED FOR 28 AND 26 AWG STRANDED AND SOLID CONDUCTOR RIBBON CABLE ON .050  $\phi$ .
- $\triangle 3$  DIMENSION APPLIES TO TERMINATED CONNECTOR.
- $\triangle 4$  INSERTS WILL WITHSTAND 6 IN. LBS. TORQUE AND 50 LBS. PULL OUT FORCE FROM MATING FACE SIDE.
- $\triangle 5$  MOLDED PARTS: FLAME RETARDANT 94V-0 RATED THERMOPLASTIC; COLOR: BLACK.
- $\triangle 6$  PHOS. BRONZE PER QQ-B-750.
- $\triangle 7$  BRASS PER MIL-C-50.
- $\triangle 8$  GOLD PLATING PER MIL-G-45204, TIN PLATING PER MIL-T-10727, NICKEL PLATING PER QQ-N-290.
- $\triangle 9$  CONTACTS:  
 .000030 GOLD ON MATING END, .000100-.000200 MATTE TIN ON TERMINATION END, ALL OVER .000050 NICKEL ON ENTIRE CONTACT.  
 OR  
 GOLD FLASH OVER PALLADIUM-NICKEL ON MATING END, .000030 MIN TOTAL, .000100-.000200 MATTE TIN ON TERMINATION END, ALL OVER .000050 NICKEL ON ENTIRE CONTACT.
- $\triangle 10$  DIMENSION APPLIES TO BASE OF SHROUD.



$\triangle 4$  #4-40 THREADED INSERT, TYP.(2)

1.216	.984	.759	.666	.400	8	9	1658611-4
1.541	1.312	1.067	.994	.700	14	15	1658611-3
2.090	1.852	1.623	1.534	1.200	24	25	1658611-2
OBSOLETE	2.732	2.500	2.275	2.183	36	37	1658611-1
	F	E	D	C	B	A	NO.OF POS. PART NUMBER

THIS DRAWING IS A CONTROLLED DOCUMENT.

DIMENSIONS: INCHES	TOLERANCES UNLESS OTHERWISE SPECIFIED:	DWN B. MCMASTER 31MAR04					
	0 PLC ± -	CHK C. ROHDE 31MAR04					
	1 PLC ± -	APVD M. WALMSLEY 31MAR04					
	2 PLC ± -	NAME					
	3 PLC ± .005	PRODUCT SPEC					
4 PLC ± -	APPLICATION SPEC	SIZE	CAGE CODE	DRAWING NO	RESTRICTED TO		
ANGLES ±	FINISH	WEIGHT	A2	00779	C=1658611	-	
MATERIAL	FINISH	WEIGHT	CUSTOMER DRAWING		SCALE 4:1	SHEET 1 of 1	REV D1

单击下面可查看定价，库存，交付和生命周期等信息

[>>TE Connectivity\(泰科\)](#)