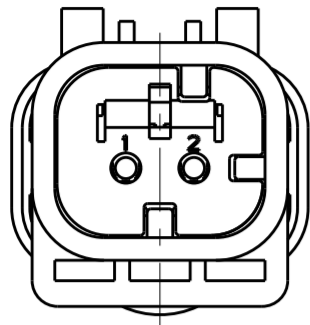
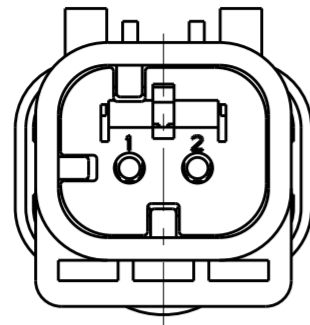


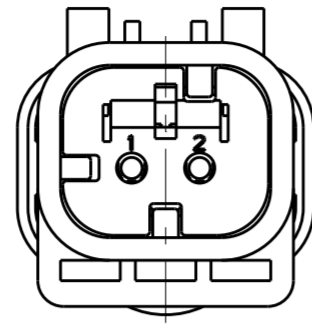
REVISIONS				
P	LTR	DESCRIPTION	DATE	APVD
B	I	REVISED PER ECR-10-019377	30SEP2010	HMR TM
C		REVISED PER ECR-14-000206	26DEC2013	PV RB



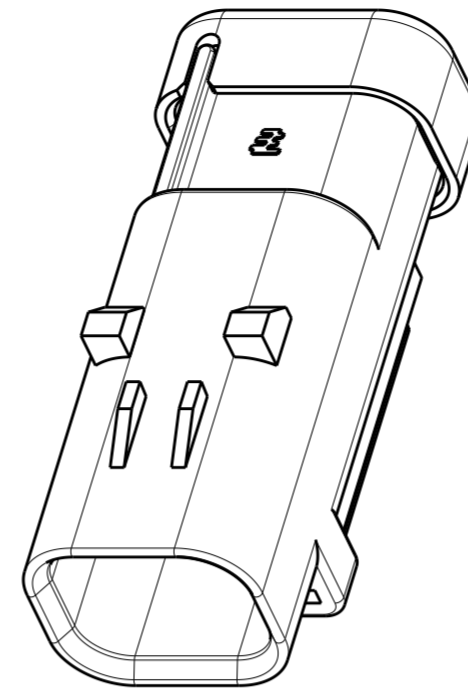
1717672-2
SCALE 2:1



1717672-3
SCALE 2:1



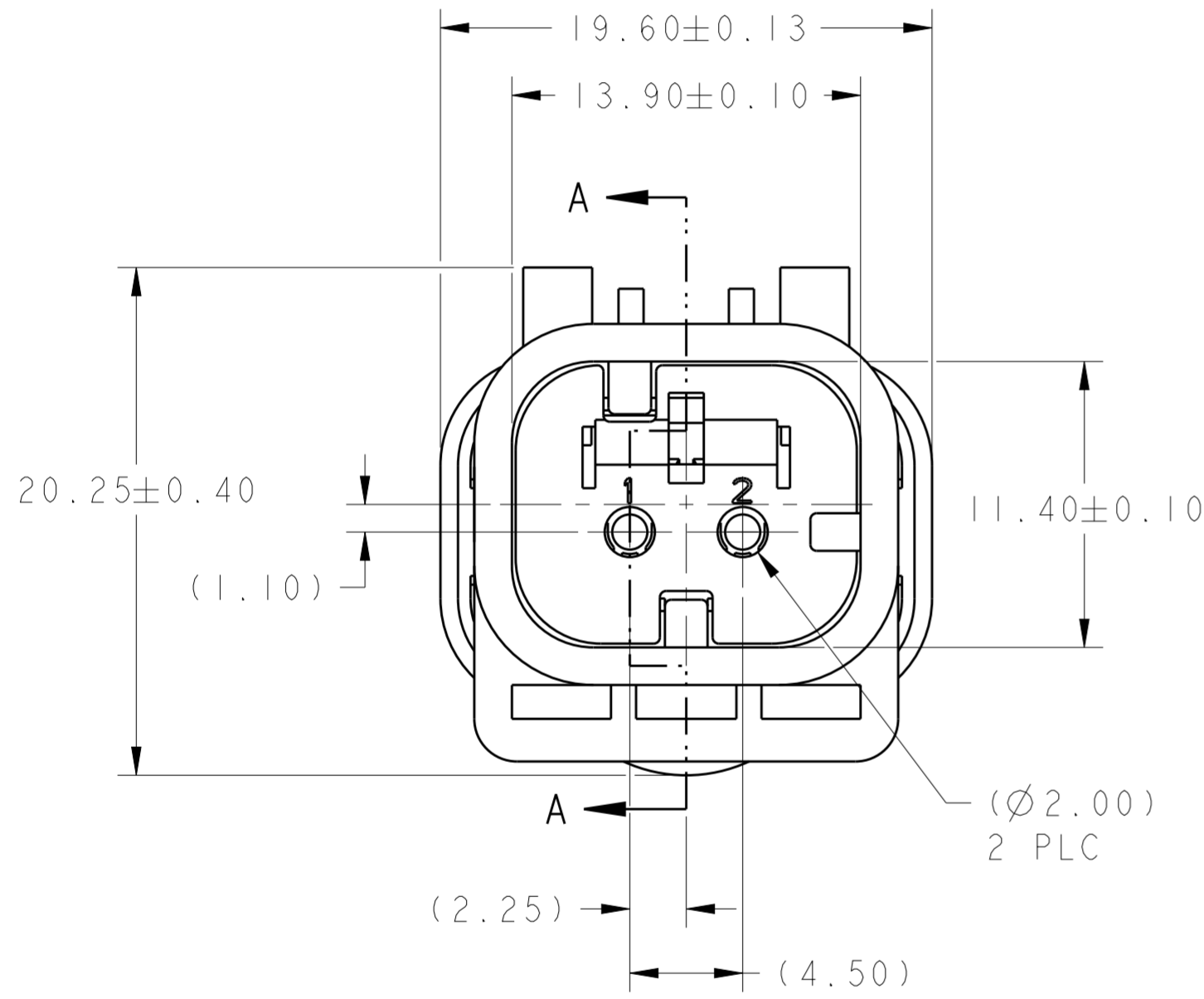
1717672-4
SCALE 2:1



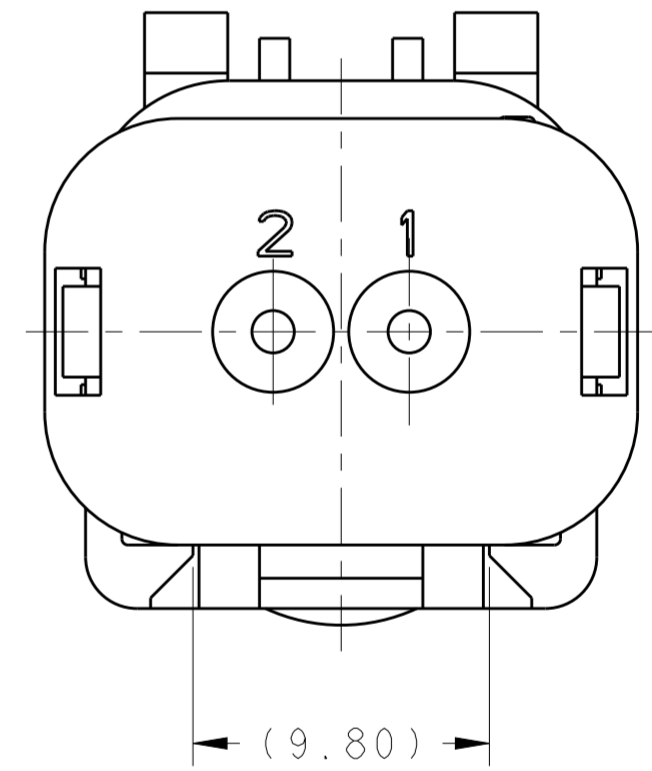
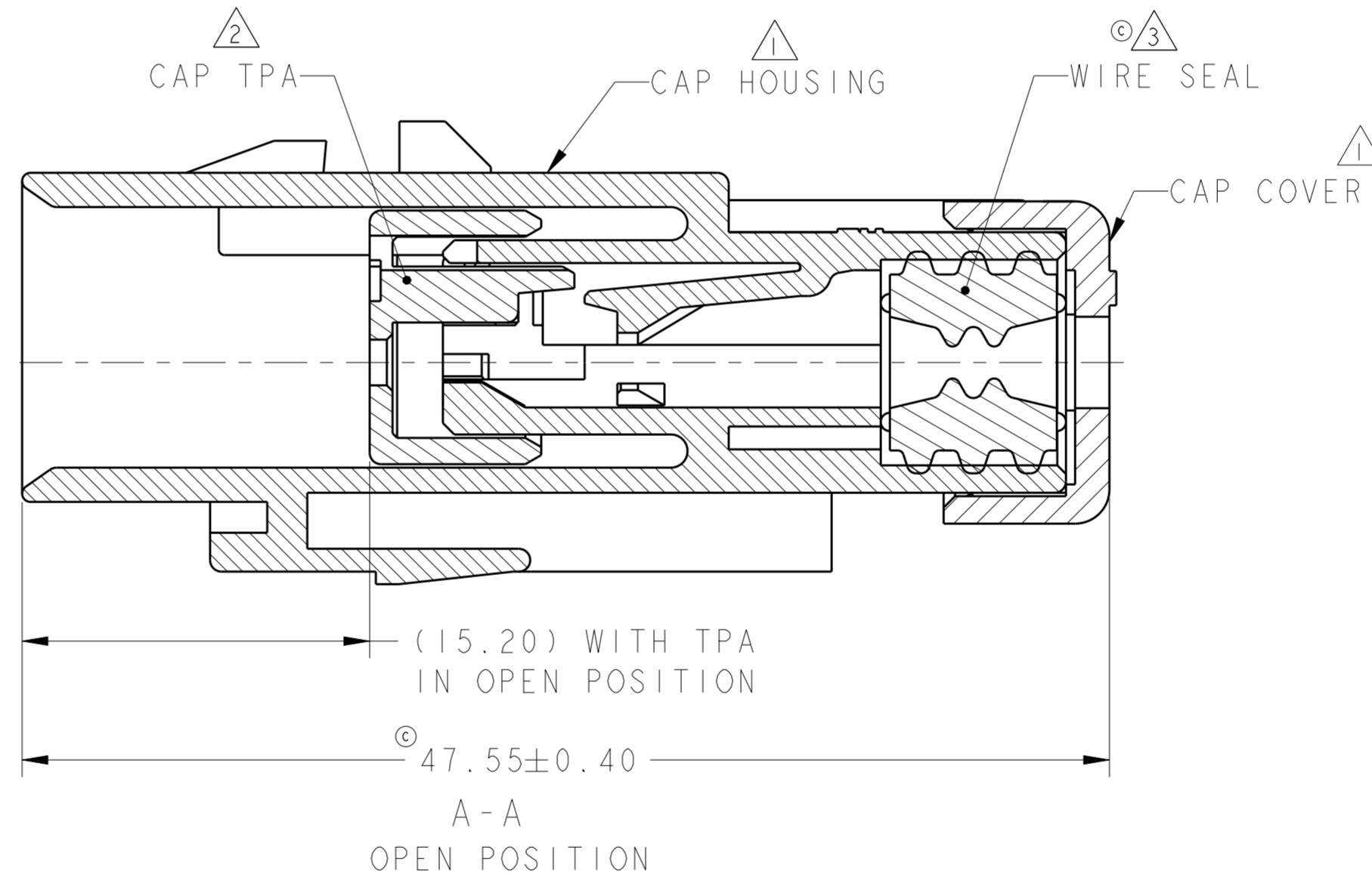
SCALE 2:1

- ① MATERIAL: 15% GLASS FILLED THERMOPLASTIC
COLOR: BLACK
- ② MATERIAL: 15% GLASS FILLED THERMOPLASTIC
COLOR: (SEE TABLE)
- ③ MATERIAL: SILICONE
COLOR: MARINE BLUE

4. WIRE INSULATION RANGE: $\varnothing 2.24 \sim \varnothing 3.94$



1717672-1 SHOWN



GREEN	1717672-4
YELLOW	1717672-3
GRAY	1717672-2
RED	1717672-1
TPA COLOR	PART NUMBER

THIS DRAWING IS A CONTROLLED DOCUMENT.		DWN Y. KATO 15JAN2004	TE Connectivity	
DIMENSIONS: mm		CHK S. MANABE 15JAN2004		
TOLERANCES UNLESS OTHERWISE SPECIFIED:		APVD S. MANABE 15JAN2004	NAME CAP ASSY, 2 POS. BRACKET REVERSE TYPE AMPSEAL 16	
0 PLC ±		PRODUCT SPEC 108-2184	SIZE A2	
1 PLC ±		APPLICATION SPEC 114-13065	CAGE CODE -	
2 PLC ±		WEIGHT -	DRAWING NO C-1717672	
3 PLC ±		Customer Drawing	RESTRICTED TO -	
4 PLC ±			SCALE 4:1 SHEET 1 OF 1 REV C	
ANGLES ±				
FINISH -				

单击下面可查看定价，库存，交付和生命周期等信息

[>>TE Connectivity\(泰科\)](#)