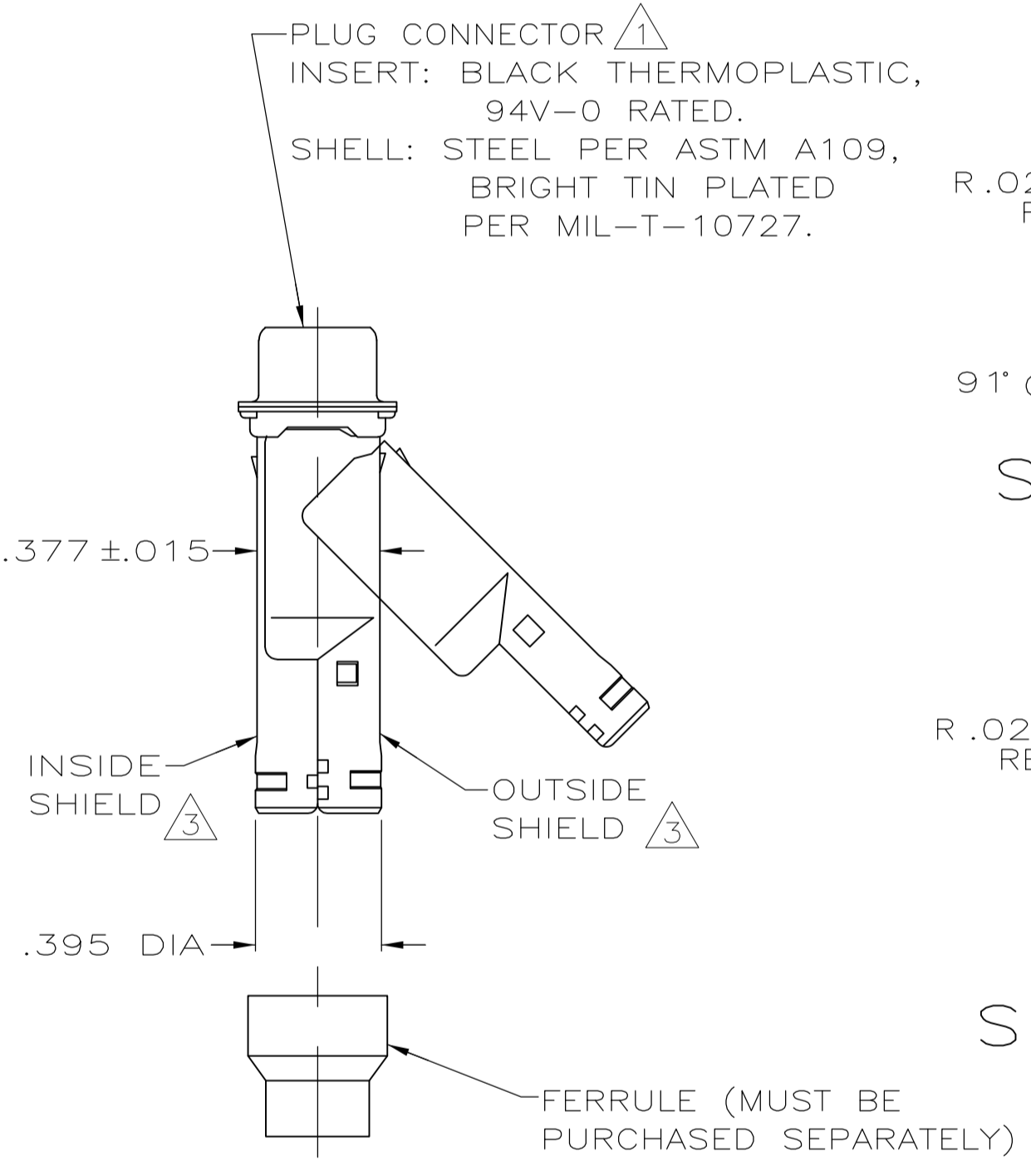
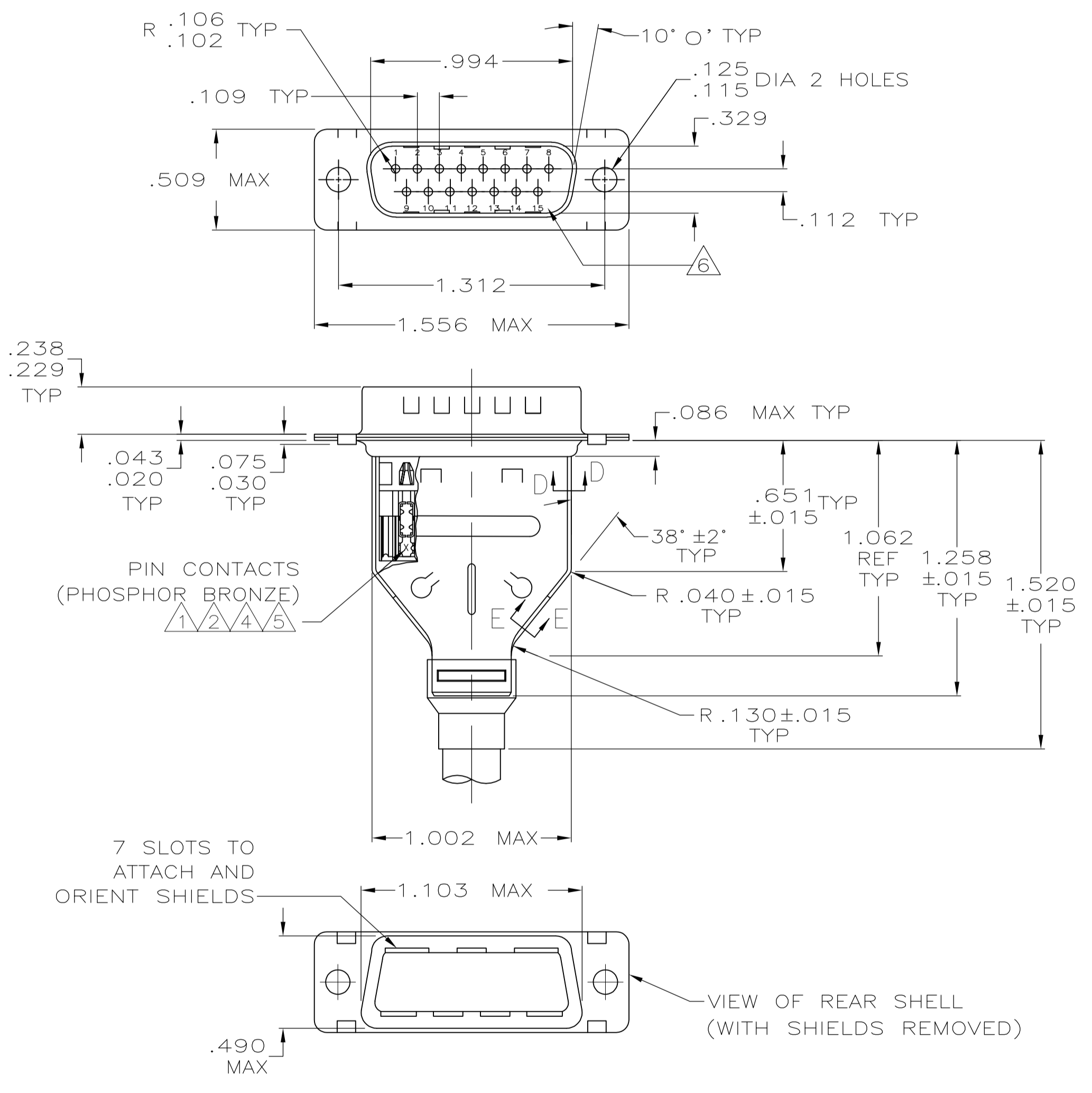


LOC		DIST		REVISIONS			
GP	00	REV	DATE	BY	APPV		
J		REVISED PER ECO-13-009055	03JUN2013	CJV	CWR		

- 1 PLUG CONNECTOR FULLY LOADED WITH CONTACTS. ALL OTHER PARTS SHIPPED UNASSEMBLED (EACH PART INDIVIDUALLY BULK PACKED).
- 2 NUMBER ON CONTACT INDICATES WIRE RANGE.
- 3 SHIELDS: MATERIAL-.020 THICK STEEL, TIN PLATED.
- 4 CONTACTS PLATED GOLD PLATED FOR LENGTH OF .150 MIN FROM MATING END, .000030 MIN GOLD IN MATED AREA. .000100-.000200 BRIGHT TIN OR BRIGHT IN TIN-LEAD IN WIRE TERMINATION AREA. .000050 NICKEL UNDERPLATE ON ENTIRE CONTACT.
- 5 CONTACTS PLATED GOLD PLATED FOR LENGTH OF .150 MIN FROM MATING END, GOLD FLASH IN MATED AREA. .000100-.000200 BRIGHT TIN OR BRIGHT IN TIN-LEAD IN WIRE TERMINATION AREA. .000030 NICKEL UNDERPLATE ON ENTIRE CONTACT.
- 6 RAISED CAVITY IDENTIFICATION AND AMP TRADEMARK.
- 7 CONTACTS GOLD PLATED FOR A LENGTH OF .150 MIN FROM MATING END, .000030 MIN GOLD IN MATED AREA, .000100-.000200 MATTE TIN IN WIRE TERMINATION AREA, ALL OVER .000050 MIN NICKEL UNDERPLATE ON ENTIRE CONTACT.
OR
CONTACTS GOLD PLATED FOR A LENGTH OF .150 MIN FROM MATING END, GOLD FLASH OVER PALLADIUM-NICKEL, .000030 MIN TOTAL IN MATED AREA, .000100-.000200 MATTE TIN IN WIRE TERMINATION AREA, ALL OVER .000050 MIN NICKEL UNDERPLATE ON ENTIRE CONTACT.
- 8 CONTACTS PLATED GOLD FLASH FOR A LENGTH OF .150 MIN FROM MATING END, .000100-.000200 MATTE TIN IN WIRE TERMINATION AREA, ALL OVER .000030 MIN NICKEL UNDERPLATE ON ENTIRE CONTACT.



REV	DATE	DESCRIPTION	BY	APPV
1	11-16-04	INITIAL RELEASE	L. VARELA	DOCKS
2	11-16-04	REVISED PER ECO-13-009055	J. GRACE	
3	11-16-04	REVISED PER ECO-13-009055	M. WALMSLEY	

REV	DATE	DESCRIPTION	BY	APPV
1	11-16-04	INITIAL RELEASE	L. VARELA	DOCKS
2	11-16-04	REVISED PER ECO-13-009055	J. GRACE	
3	11-16-04	REVISED PER ECO-13-009055	M. WALMSLEY	

REV	DATE	DESCRIPTION	BY	APPV
1	11-16-04	INITIAL RELEASE	L. VARELA	DOCKS
2	11-16-04	REVISED PER ECO-13-009055	J. GRACE	
3	11-16-04	REVISED PER ECO-13-009055	M. WALMSLEY	

REV	DATE	DESCRIPTION	BY	APPV
1	11-16-04	INITIAL RELEASE	L. VARELA	DOCKS
2	11-16-04	REVISED PER ECO-13-009055	J. GRACE	
3	11-16-04	REVISED PER ECO-13-009055	M. WALMSLEY	

THIS DRAWING IS A CONTROLLED DOCUMENT. DIMENSIONING AND TOLERANCING PER ASME Y14.5M-2009.

STE TE Connectivity

NAME: KIT, PLUG, SHIELDING HARDWARE, SIZE 2, 15 POSN, HDE-20, AMPLIMITE

SIZE: 114-40002

WEIGHT: 0.00779

CUSTOMER DRAWING

SCALE: 2:1

SHEET: 1 OF 1

REV: J

单击下面可查看定价，库存，交付和生命周期等信息

[>>TE Connectivity\(泰科\)](#)