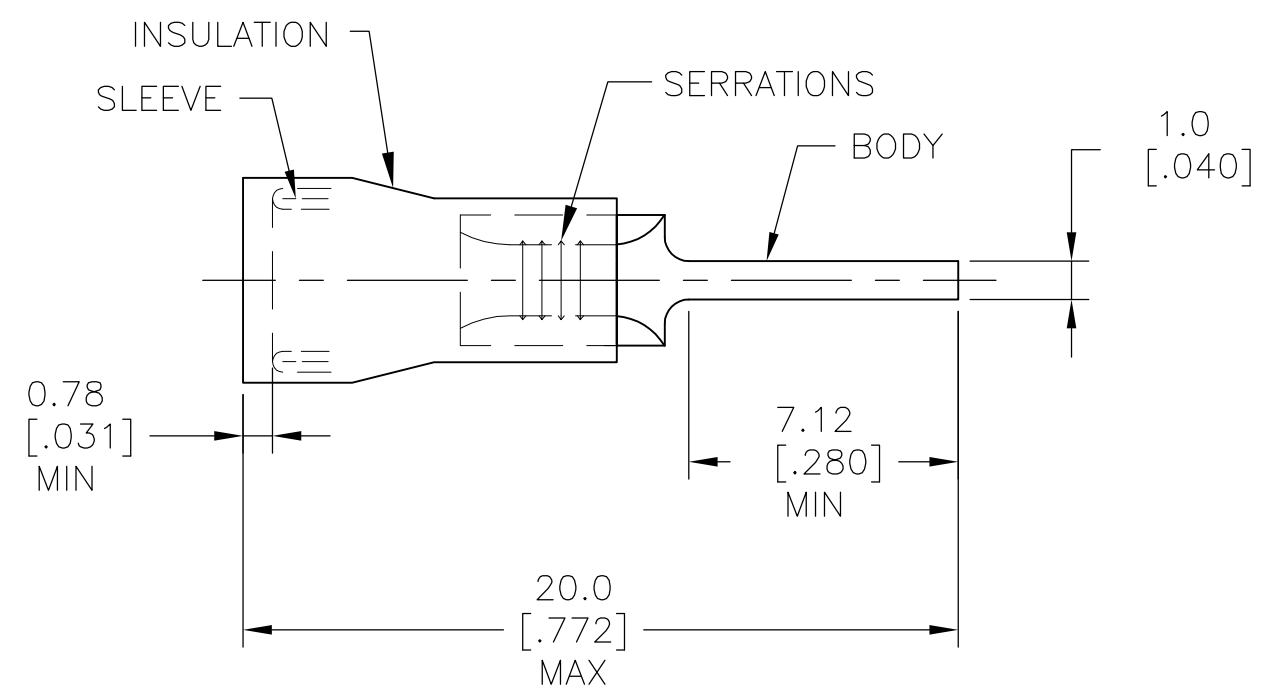


THIS DRAWING IS UNPUBLISHED. RELEASED FOR PUBLICATION
 © COPYRIGHT - By - ALL RIGHTS RESERVED.

LOC	DIST	REVISIONS					
		P	LTR	DESCRIPTION	DATE	DWN	APVD
-	-		A1	REVISED PER ECO-12-016312	13SEP12	KH	DR

- 1 WIRE RANGE: 22-16AWG
- 2 INSULATION RANGE: 2.7-3.6 [.105-.140] DIA
- 3 TAB MATERIAL-THICKNESS 0.8[.033] MAX
- △4 MATERIAL:
BODY&SLEEVE: COPPER PER ASTM B152
INSULATION: NYLON.
- △5 FINISH: TIN PLATE PER ASTM B545
INSULATION: COLOR-RED



165446
PART NO

CUSTOMER SERVICE SYSTEMS		MAX RECOMMENDED OPERATING TEMPERATURE: 105°[221°F]	THIS DRAWING IS A CONTROLLED DOCUMENT.		DWN KIRAN HOLAL 13SEP2012	STE TE Connectivity				
FOR ADDITIONAL PRODUCT INFORMATION OR COPIES OF DRAWINGS AND TECHNICAL DOCUMENTS	PRODUCT INFORMATION CENTER 1-800-522-6752	VOLTAGE RATING: 300V MAX	DIMENSIONS: mm [INCHES]	TOLERANCES UNLESS OTHERWISE SPECIFIED:	CHK ROHDE DANIEL 13SEP2012				NAME	
FOR APPLICATION TOOLING INFORMATION	TOOLING ASSISTANCE CENTER 1-800-722-1111	CIRCULAR MIL AREA: 0.26-1.6 mm ² SOLID OR STRANDED		0 PLC ± - 1 PLC ± 0.2[.008] 2 PLC ± - 3 PLC ± - 4 PLC ± - ANGLES ± -	APVD ROHDE DANIEL 13SEP2012	PIDG NYLON TAB				
FOR ORDER ENTRY	1-800-526-5142	THIS DRAWING IS A CONTROLLED DOCUMENT FOR AMP INCORPORATED. IT IS SUBJECT TO CHANGE AND THE CONTROLLING ENGINEERING ORGANIZATION SHOULD BE CONTACTED FOR THE LATEST REVISION.	MATERIAL △4	FINISH △5	PRODUCT SPEC -	SIZE A3	CAGE CODE 00779	DRAWING NO C-165446	RESTRICTED TO -	
					WEIGHT -	CUSTOMER DRAWING		SCALE 1:1	SHEET 1 OF 1	REV A1

单击下面可查看定价，库存，交付和生命周期等信息

[>>TE Connectivity\(泰科\)](#)