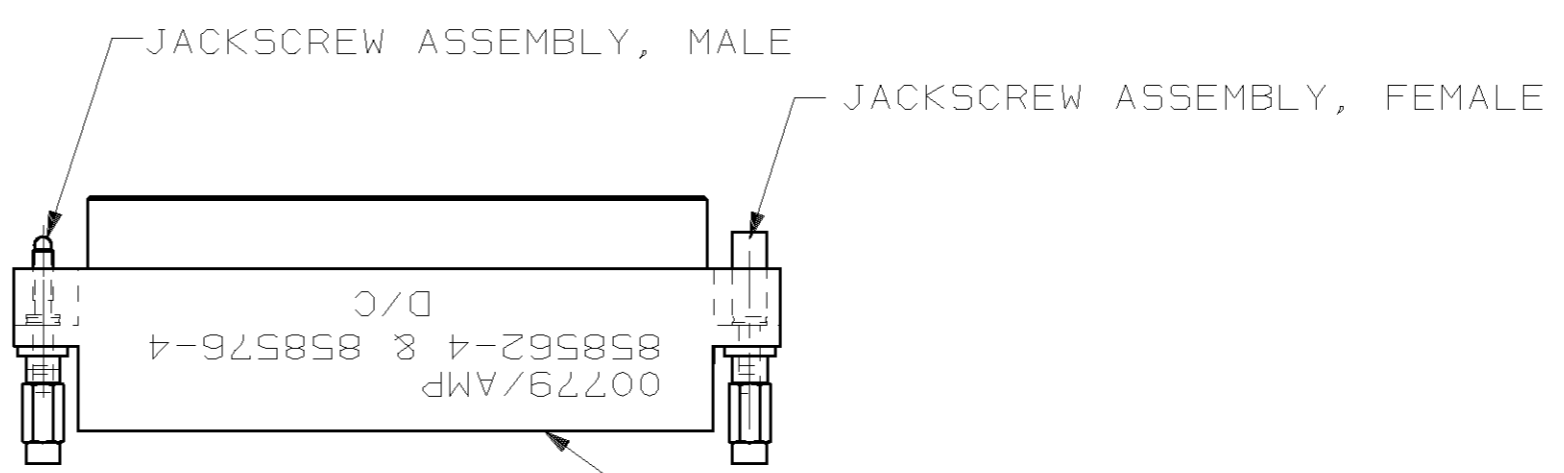
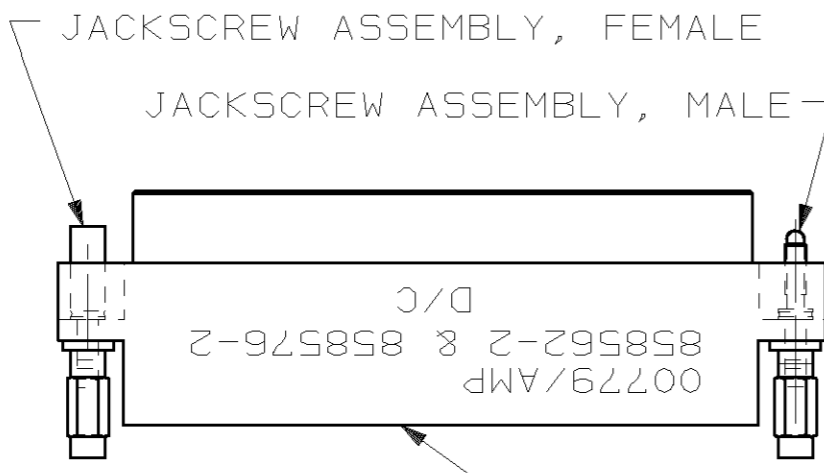
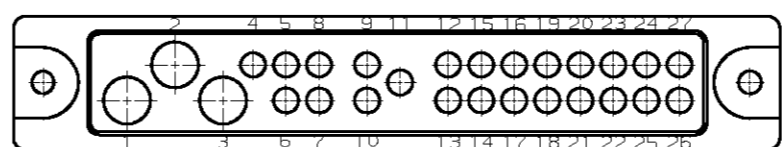
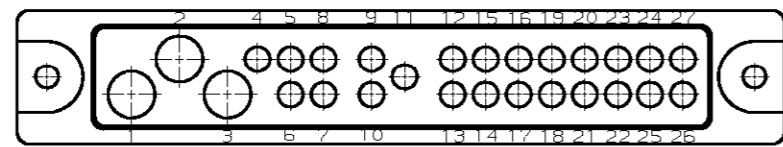


LOC		DIST		P		F		ZONE		LTR		REVISIONS		DATE	APPD
DF	DO											D	REV PER 0600-8481-99 JEB	2-00	DE

⚠ MARK AMP, BOTH AMP PART NUMBERS AND DATE CODE PER 115-36004-1. BOTH PART NUMBERS SHOWN BELOW.

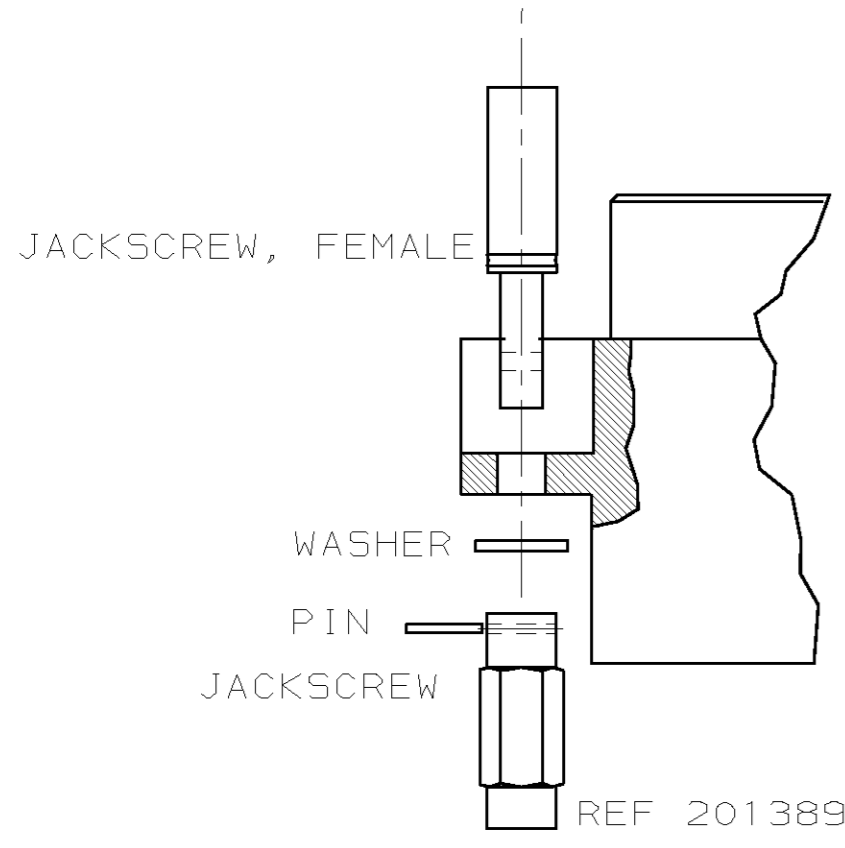


RECEPTACLE BLOCK

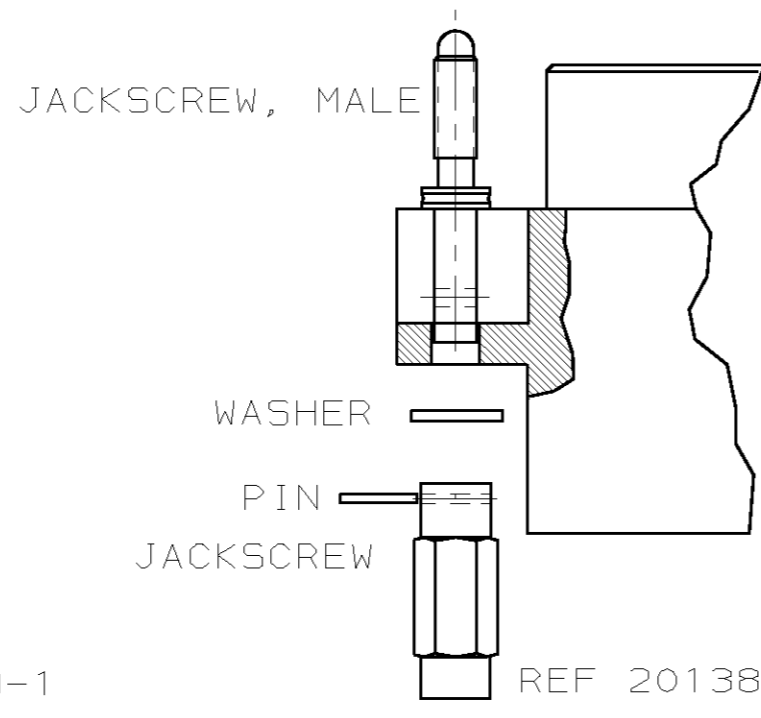
RECEPTACLE BLOCK

PART NO 858676-2

PART NO 858676-4



REF 201389-1
 FEMALE JACKSCREW KIT
 TYPICAL
 SCALE 2:1



REF 201388-1
 MALE JACKSCREW KIT
 TYPICAL
 SCALE 2:1

DO NOT SCALE PRINT. UNLESS SPECIFIED DIMENSIONS IN mm [INCHES] TOLERANCES ON : 2 PLC DEC ± - 3 PLC DEC ± - ANGLES ± -		DR 02FEB00 J.E.BEATTY		PART NO	
MATERIAL MOLDED GLASS EPOXY		CHK 02FEB00 D.G.EABY		AMP Incorporated Harrisburg, PA 17105-3608	
FINISH NATURAL		APPD 02FEB00 D.G.EABY			
APPLICATION SPEC		APPD 02FEB00 D.G.EABY		NAME RECEPTACLE ASSEMBLY LDG	
WEIGHT -		SIZE C 00779	CAGE CODE 00779	DRAWING NO C=858576	
		SCALE -		SHEET 1 OF 1	

THIS DRAWING IS A CONTROLLED DOCUMENT FOR AMP INCORPORATED. IT IS SUBJECT TO CHANGE AND THE CONTROLLING ENGINEERING ORGANIZATION SHOULD BE CONTACTED FOR THE LATEST REVISION.

单击下面可查看定价，库存，交付和生命周期等信息

[>>TE Connectivity\(泰科\)](#)