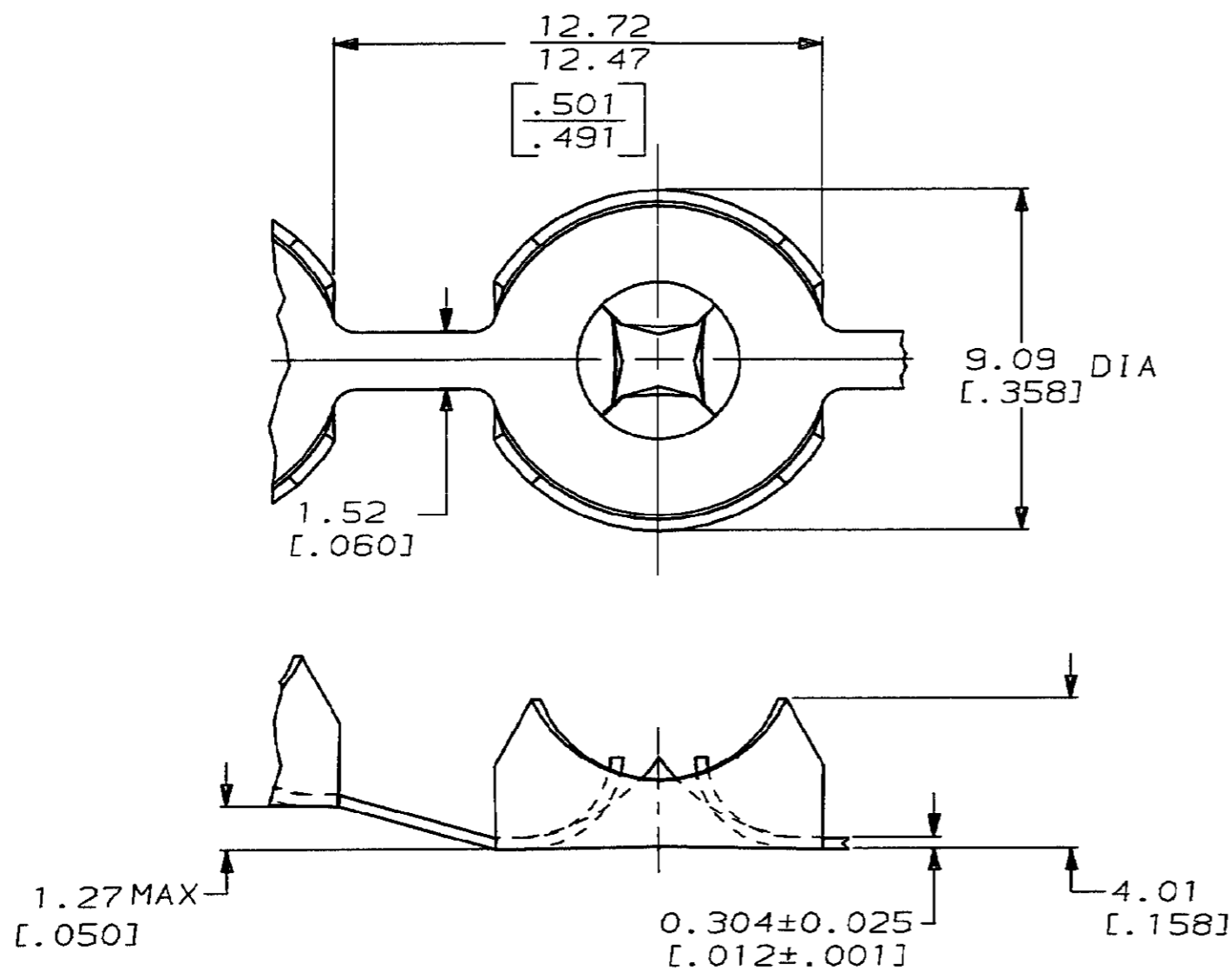


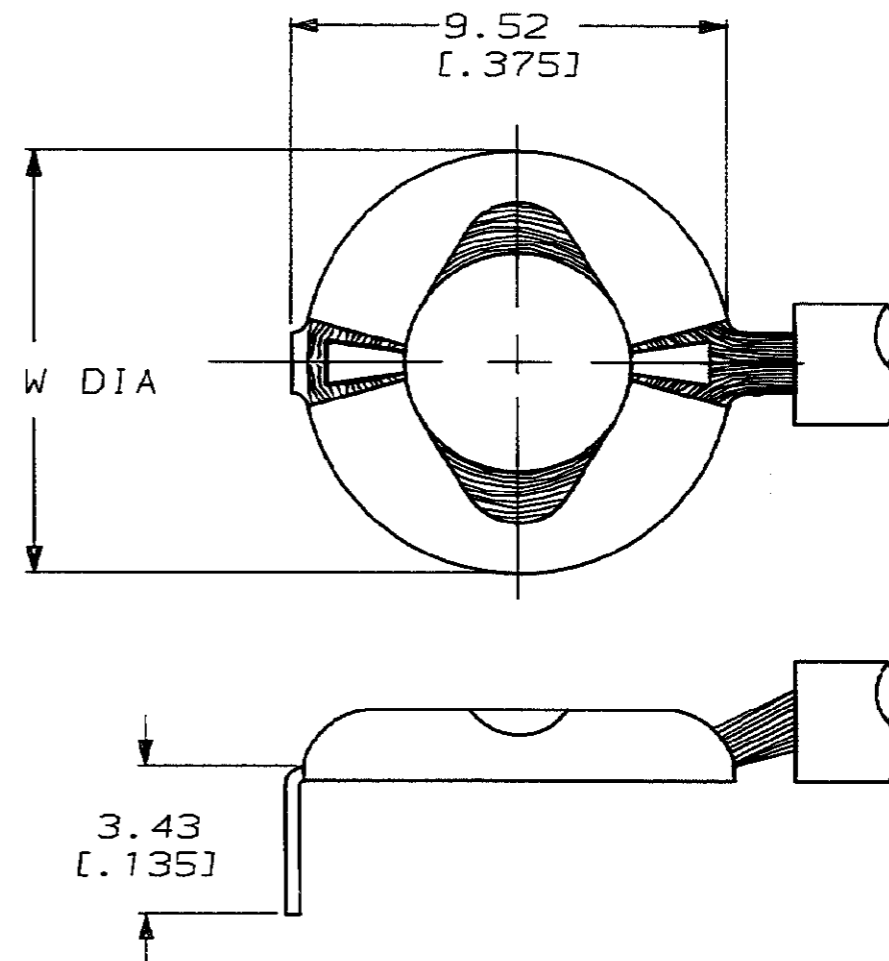
DRAWING MADE IN THIRD ANGLE PROJECTION

THIS DRAWING IS UNPUBLISHED. RELEASED FOR PUBLICATION, 19
 © COPYRIGHT 19 BY AMP INCORPORATED. ALL INTERNATIONAL RIGHTS RESERVED.

LOC	DIST	P	F	REVISIONS				
				ZONE	LTR	DESCRIPTION	DATE	APPD
AF	50				C	REV AND REDRAWN PER AF-6382	12/12/89	PF/MF



1 CONTINUOUS STRIP ON REELS



8.84 [.348]	4.57 [.180]	0.8mm ² - 2.0mm ²	60238-2
8.84 [.348]	3.94 [.155]	[18-14] AWG	60238-1
W	HOLE DIA ± 0.13 [.005]	WIRE SIZE	PART NO

DO NOT SCALE PRINT.
 UNLESS SPECIFIED
 DIMENSIONS IN mm [INCHES]
 TOLERANCES ON:
 2 PLC DEC ± -
 3 PLC DEC ± 0.38 [.015]
 ANGLES ± -

MATERIAL
 #1 HARD BRASS
 OIL LUBRICATED

FINISH

DR 1/26/90
 P FORTNEY
 CHK 1/26/90
 MS FEHER
 APPD 2/2/90
 G YETTER
 APPD 2/2/90
 R KUZO
 PRODUCT SPEC
 -
 APPLICATION SPEC
 -
 WEIGHT -

AMP AMP INCORPORATED
 Harrisburg, Pa. 17105

NAME
 EYELET, CROWN CRIMP

SIZE **B** CAGE CODE 00779 DRAWING NO 60238
 SCALE 6:1 SHEET 1 OF 1

METRIC

单击下面可查看定价，库存，交付和生命周期等信息

[>>TE Connectivity\(泰科\)](#)