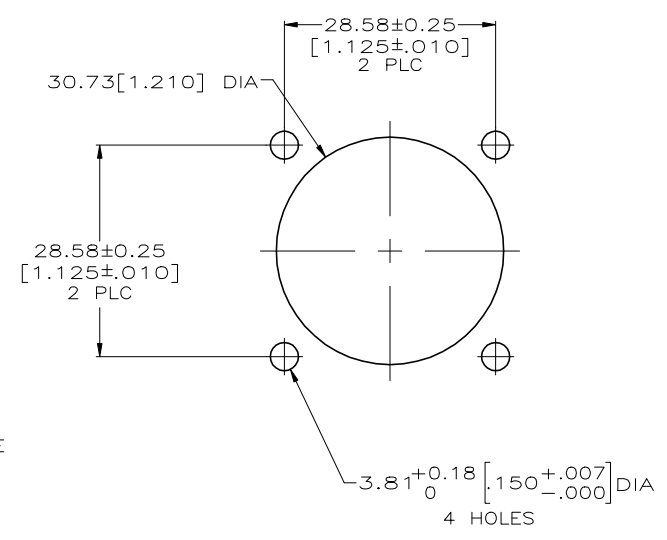
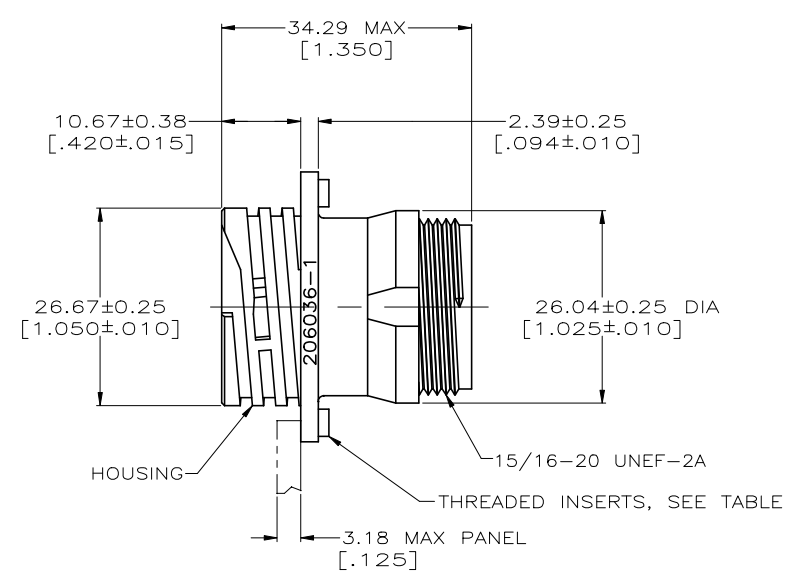
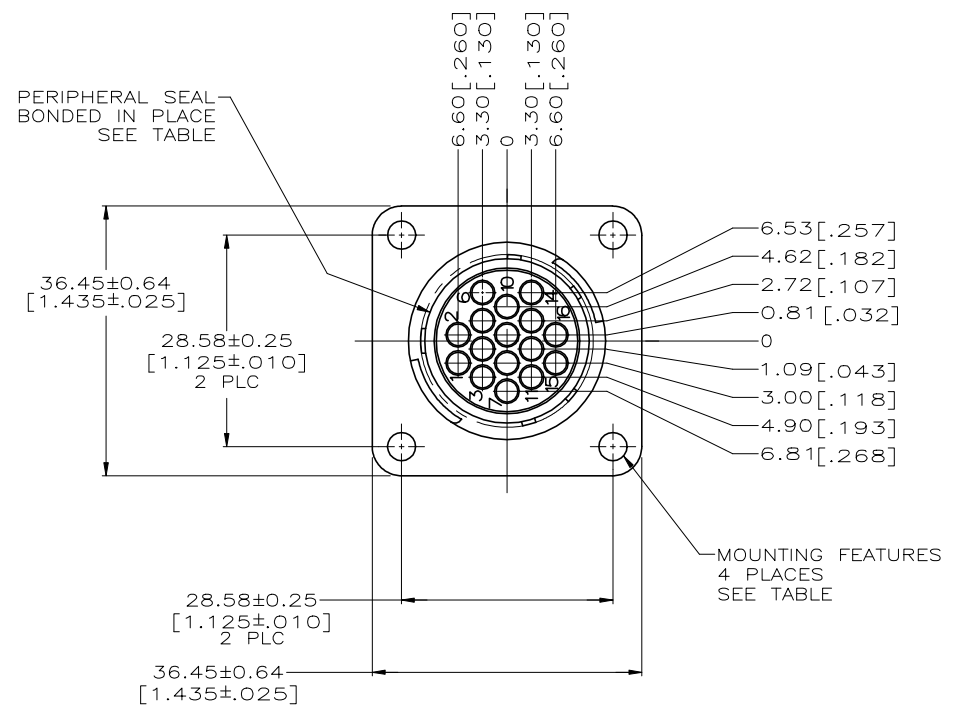


REVISIONS					
#	LTR	DESCRIPTION	DATE	DNW	APVD
T		REVISED PER ECO-13-016365	19OCT2013	KH	MZ
U		REVISED PER ECO-19-011232	07AUG2019	RS	MZ
V		REVISED PER ECO-19-014836	18OCT2019	RS	MZ

- 1 HOUSING: NYLON, BLACK.
PERIPHERAL SEAL: ELASTOMER, BLACK.
THREADED INSERTS: BRASS.
- 2 CAVITY IDENTIFICATION ON FRONT AND REAR FACE.
- 3 WILL ACCEPT (16) MULTIMATE PIN CONTACTS.
- 4 HOUSING: NYLON, BLUE.
PERIPHERAL SEAL: ELASTOMER, BLACK.
THREADED INSERTS: BRASS.
- 5 OBSOLETE PARTS: OBSOLETE CIS STREAMLINING PER D.RENAUD/D.SINISI



MATERIAL	PACKAGING	MOUNTING FEATURES	PERIPHERAL SEAL	PART NUMBER	
5 OBSOLETE	1	STANDARD	Ø3.81(.125) HOLES	YES	206036-9-
	1	STANDARD	#4-40 THREADED INSERTS	NO	206036-8
	1	SMALL PACK	Ø3.81(.125) HOLES	NO	206036-7
	1	STANDARD	Ø3.81(.125) HOLES	YES	206036-4
	1	STANDARD	Ø3.81(.125) HOLES	NO	206036-1

THIS DRAWING IS A CONTROLLED DOCUMENT. DNW: D. GELTZ 07/27/93
 CHK: R. STONE 7-22-93
 APVD: A. FRANTUM 8-12-93

TE Connectivity Ltd.

RECEPTACLE HOUSING, STD SEX, SHELL SIZE 17, CPC

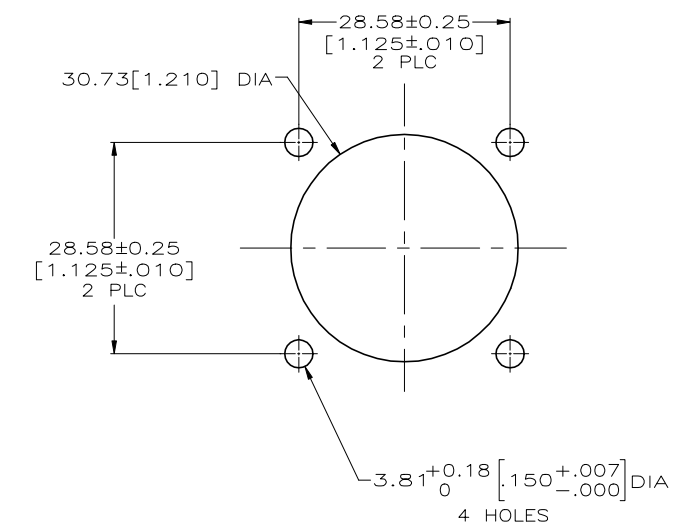
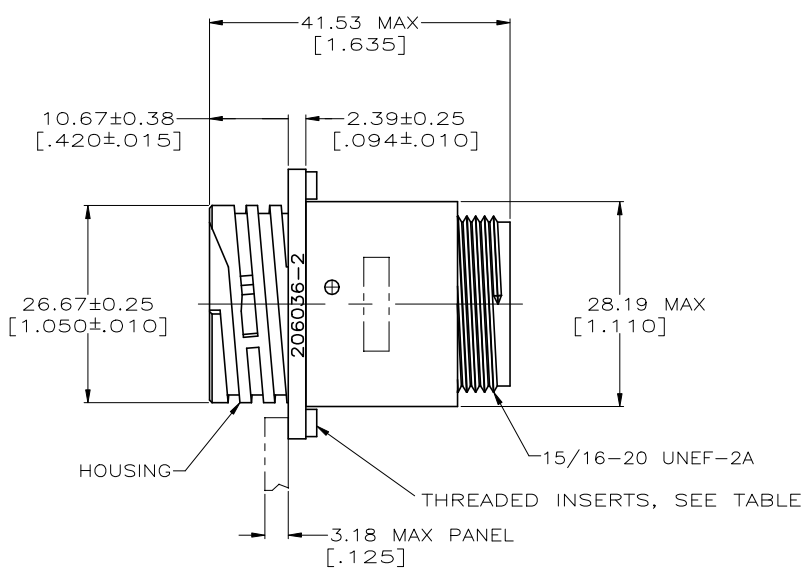
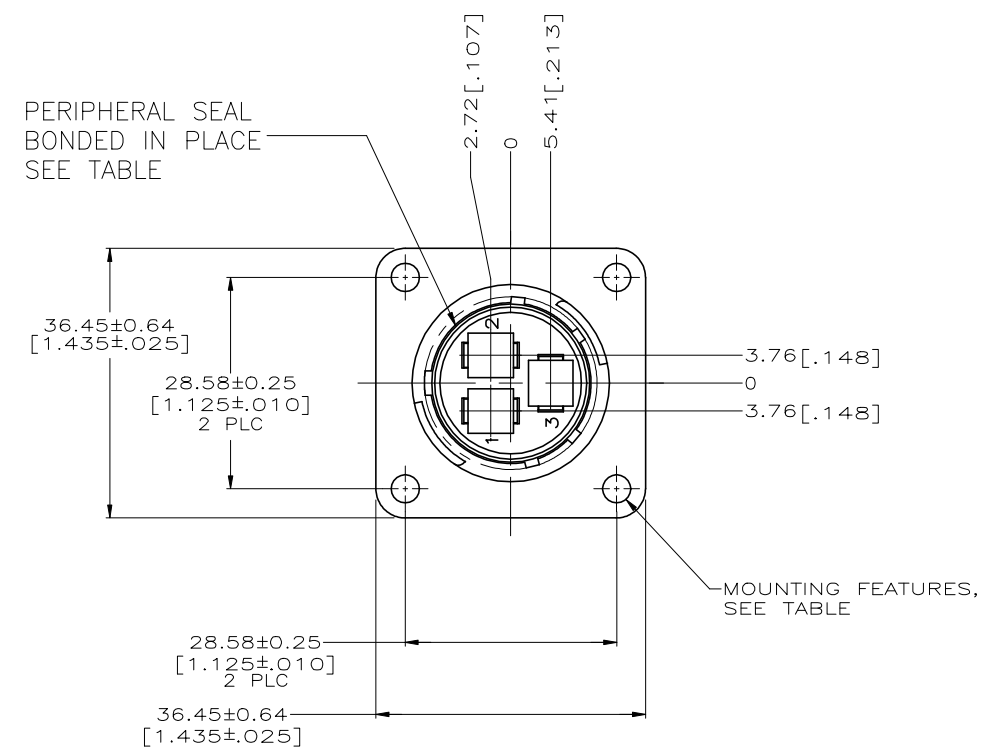
108-10024

SIZE: A1 CAGE CODE: 00779 DRAWING NO: 206036 RESTRICTED TO: -
 CUSTOMER DRAWING SCALE: 2:1 SHEET: 1 OF 3 REV: V

THIS DRAWING IS UNPUBLISHED. RELEASED FOR PUBLICATION
 © COPYRIGHT - By - ALL RIGHTS RESERVED.

REVISIONS				
#	LTR	DESCRIPTION	DATE	DNW
-	-	SEE SHEET 1	-	-

- 1 CAVITY IDENTIFICATION ON FRONT AND REAR FACE.
- 2 WILL ACCEPT (3) TYPE XII PIN CONTACTS.
- 3 HOUSING: NYLON, BLACK.
PERIPHERAL SEAL: ELASTOMER, BLACK.



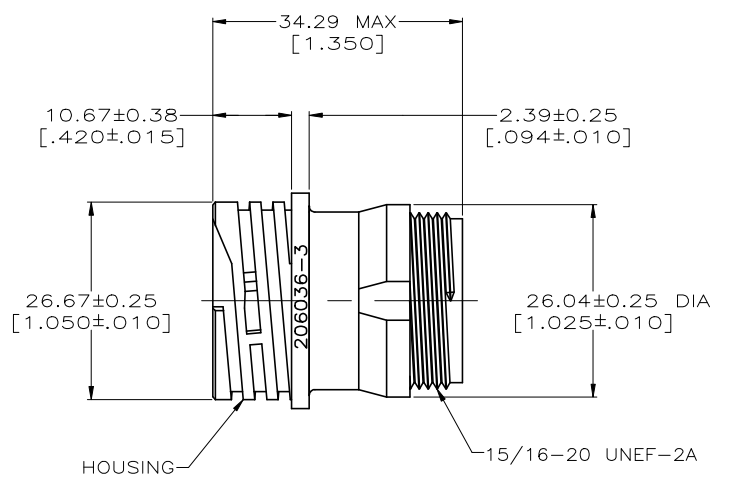
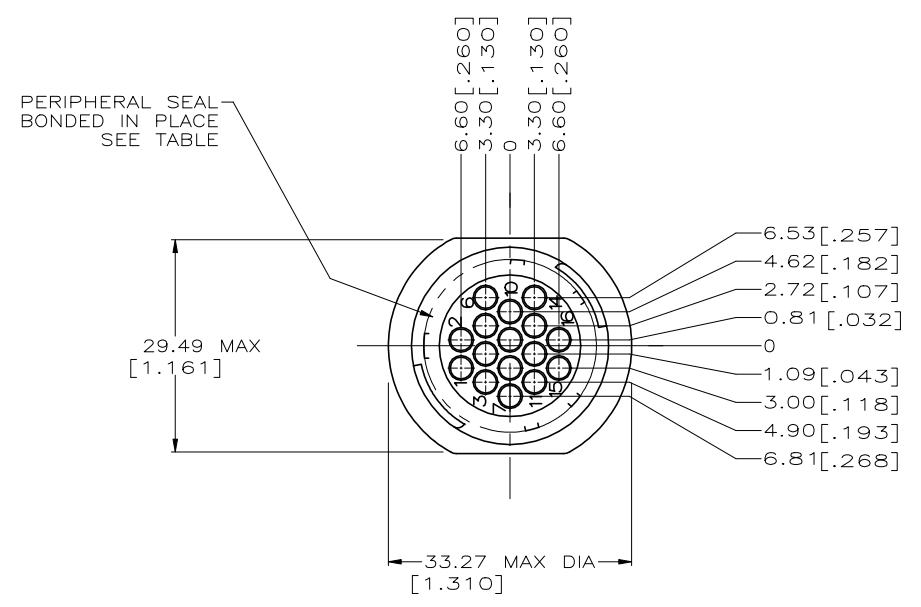
RECOMMENDED PANEL CUTOUT

PRELIMINARY	3	Ø3.18(.125) HOLES	YES	1-206036-6
	3	#4-40 THREADED INSERTS	NO	1-206036-4
	3	Ø3.18(.125) HOLES	NO	206036-2
MATERIAL		MOUNTING FEATURES	PERIPHERAL SEAL	PART NUMBER
THIS DRAWING IS A CONTROLLED DOCUMENT.		DNW D. GELTZ 07/27/93	TE Connectivity Ltd.	
DIMENSIONS: MM(INCH)		CHK R. STONE 7-22-93	RECEPTACLE HOUSING, STD SEX, SHELL SIZE 17, CPC	
TOLERANCES UNLESS OTHERWISE SPECIFIED:		APRO A. FRANTUM 8-12-93	NAME	
0 PLC ± -	PRODUCT SPEC	108-10024		
1 PLC ± -	APPLICATION SPEC	-		
2 PLC ± 0.13 [.005]		SIZE	CAGE CODE	DRAWING NO
3 PLC ± -		A1	00779	C=206036
4 PLC ± -		CUSTOMER DRAWING		
ANGLES ± -		SCALE	SHEET	REV
		2:1	2 of 3	Y

THIS DRAWING IS UNPUBLISHED. RELEASED FOR PUBLICATION
 © COPYRIGHT - By - ALL RIGHTS RESERVED.

REVISIONS				
#	LTR	DESCRIPTION	DATE	DNW
-	-	SEE SHEET 1	-	-

- 1 CAVITY IDENTIFICATION ON FRONT AND REAR FACE.
- 2 WILL ACCEPT (16) MULTIMATE PIN CONTACTS.
- 3 HOUSING: NYLON, BLACK.
PERIPHERAL SEAL: ELASTOMER, BLACK.
- 4 HOUSING: POLYESTER, PBT, BLACK.
PERIPHERAL SEAL: ELASTOMER, BLACK.
THREADED INSERTS: BRASS



OBSOLETE	4	NO	1-206036-3
	3	YES	206036-5
	3	NO	206036-3
MATERIAL		PERIPHERAL SEAL	PART NUMBER

THIS DRAWING IS A CONTROLLED DOCUMENT. DWN: D. GELTZ 07/27/93
 CHK: R. STONE 7-22-93
 APVD: A. FRANTUM 8-12-93

TE Connectivity Ltd.

RECEPTACLE HOUSING, STD SEX, SHELL SIZE 17, CPC

108-10024

SIZE: A1 CAGE CODE: 00779 DRAWING NO: 206036 SHEET 3 OF 3 REV V

CUSTOMER DRAWING SCALE: 2:1

单击下面可查看定价，库存，交付和生命周期等信息

[>>TE Connectivity\(泰科\)](#)