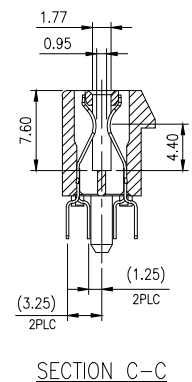
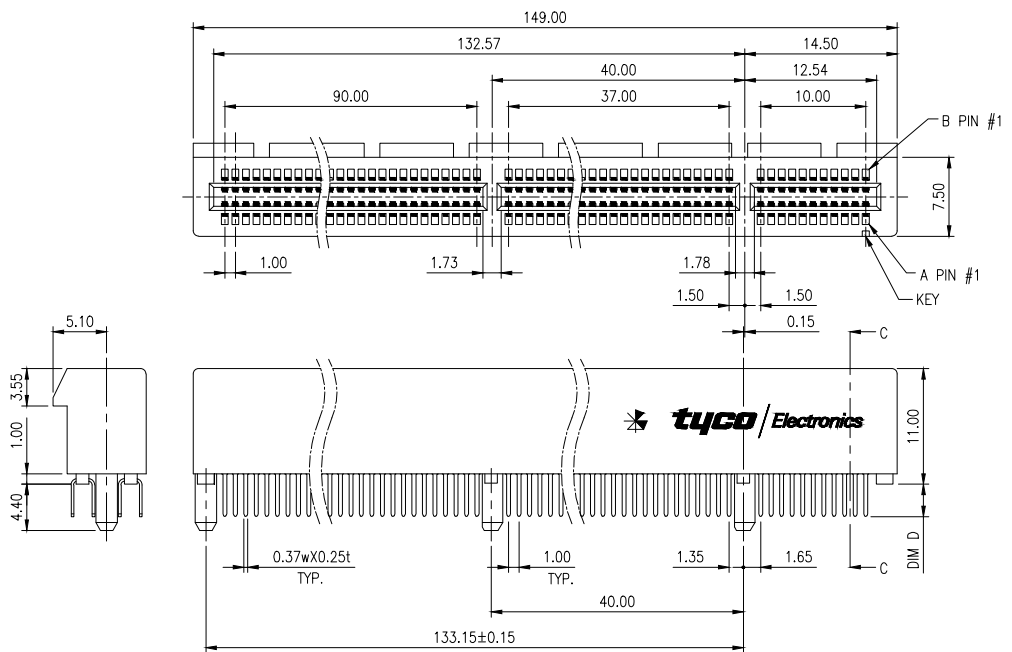
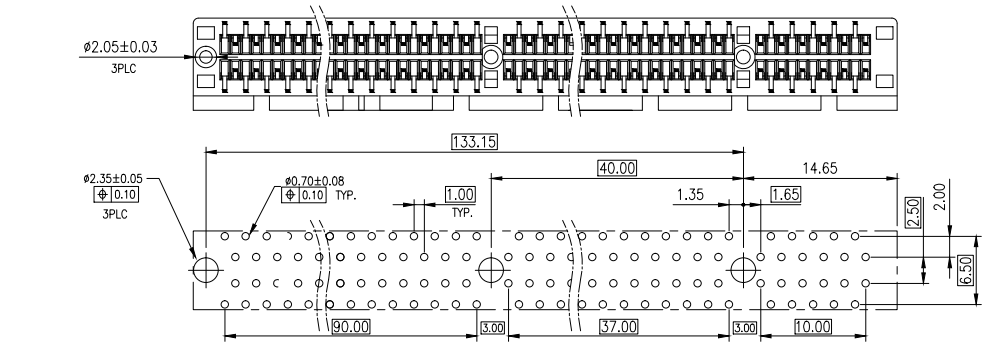


THIS DRAWING IS UNPUBLISHED. RELEASED FOR PUBLICATION AUG. 2006.  
 COPYRIGHT BY TYCO ELECTRONICS CORPORATION. ALL RIGHTS RESERVED.

LOC		DIST		REVISIONS			
P	LTR	DESCRIPTION		DATE	DWN	APVD	
	B2	REVISED (ECR-14-013708)		22SEP14	SW	SC	



- NOTES:
- MATERIAL:
    - HOUSING: THERMOPLASTIC, HIGH TEMP., UL94V-0; COLOR: SEE TABLE.
    - CONTACTS: PHOSPHOR BRONZE.
  - FINISH:
    - CONTACT: GOLD PLATING (SEE TABLE) ON CONTACT AREA. 100u" MIN. MATTE-TIN PLATING ON SOLDER TAILS, 50u" MIN. NICKEL UNDERPLATING OVERALL.
  - WAVE SOLDER CAPABLE TO 265°C PER TE SPEC. 109-202, CONDITION B.



RECOMMENDED PCB LAYOUT (TOP VIEW)  
 PCB TOLERANCE: ±0.05

EOL	WHITE 7527U	2.36	3.10	30 u"	1-1775276-4
				15 u"	1-1775276-3
		1.56	2.54	30 u"	1-1775276-2
				15 u"	1-1775276-1
	BLACK	2.36	3.10	30 u"	1775276-4
				15 u"	1775276-3
		1.56	2.54	30 u"	1775276-2
				15 u"	1775276-1
	HG COLOUR	PCB THICKNESS	D ±0.20	GOLD PLATING	PART NUMBER

THIS DRAWING IS A CONTROLLED DOCUMENT.		DWN S. CHIEN 24DEC2008	TE Connectivity <b>1.0MM PCI EXPRESS, 280 POS</b>		
DIMENSIONS: MM		CHK S. CHIEN 24DEC2008			
TOLERANCES UNLESS OTHERWISE SPECIFIED:		APVD W. KODAMA 24DEC2008	NAME		
0 PLC ± - 1 PLC ± 0.3 2 PLC ± 0.2 3 PLC ± - 4 PLC ± - ANGLES ± 3'		PRODUCT SPEC 108-57520	QUALIFICATION TEST REPORT		
MATERIAL SEE NOTE		WEIGHT 14.5 GRAMS	SIZE A3	CAGE CODE 00779	DRAWING NO C=1775276
FINISH SEE NOTE		CUSTOMER DRAWING	RESTRICTED	SCALE -	SHEET 1 OF 3

4

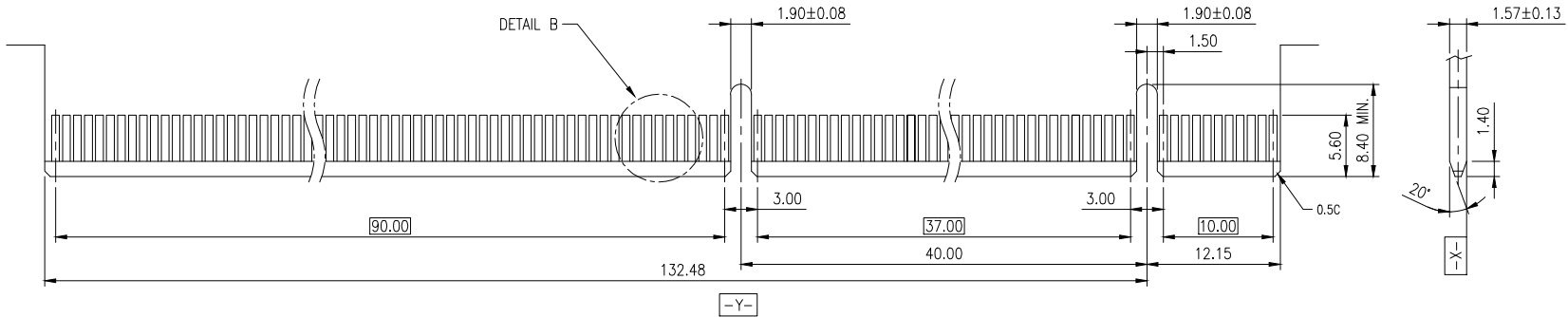
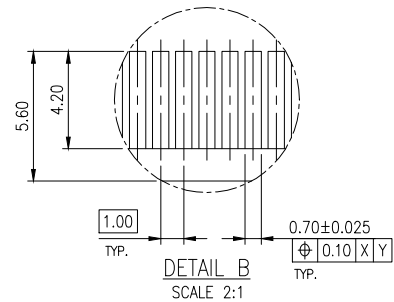
3

2

1

THIS DRAWING IS UNPUBLISHED. RELEASED FOR PUBLICATION AUG , 2006.  
 © COPYRIGHT BY TYCO ELECTRONICS CORPORATION. ALL RIGHTS RESERVED.

LOC		DIST		REVISIONS			
P	LTR	DESCRIPTION		DATE	DWN	APVD	
		SEE SHEET 1.					



RECOMMENDED MATING COMPONENT BOARD

THIS DRAWING IS A CONTROLLED DOCUMENT.		DWN		<b>STE</b> TE Connectivity	
DIMENSIONS: MM		CHK			
TOLERANCES UNLESS OTHERWISE SPECIFIED:		APVD		NAME	
0 PLC ± -		PRODUCT SPEC		1.0MM PCI EXPRESS, 280 POS	
1 PLC ± -		APPLICATION SPEC		SIZE	
2 PLC ± -		WEIGHT		CAGE CODE	
3 PLC ± -		CUSTOMER DRAWING		DRAWING NO	
4 PLC ± -		SCALE		RESTRICTED TO	
ANGLES ± -		SHEET		A3 00779 C=1775276	
MATERIAL		REV		2 OF 3	
FINISH		B2			

4

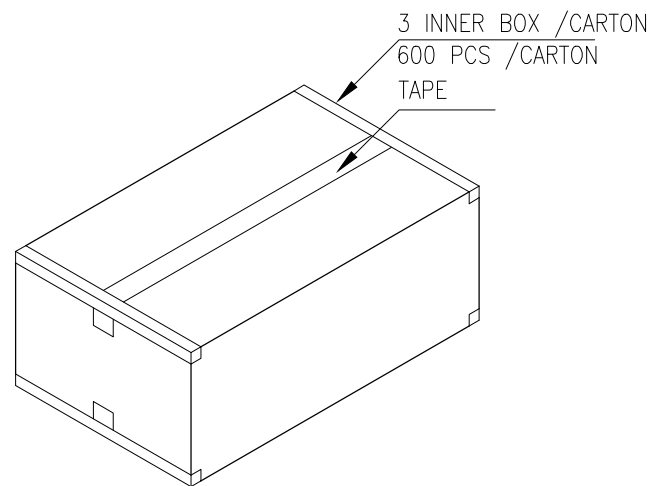
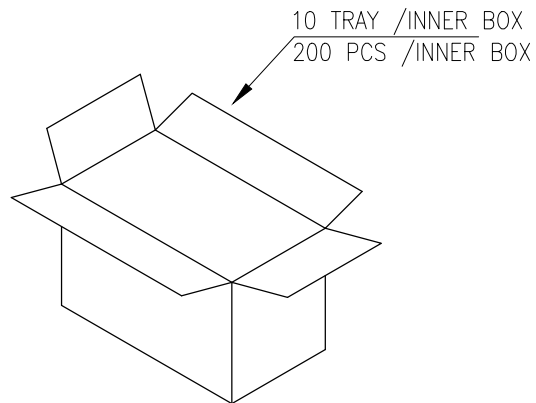
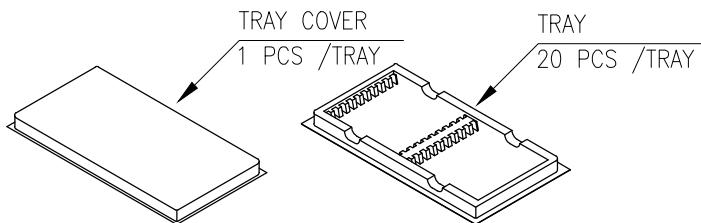
3

2

1

THIS DRAWING IS UNPUBLISHED. RELEASED FOR PUBLICATION AUG , 2006.  
 © COPYRIGHT BY TYCO ELECTRONICS CORPORATION. ALL RIGHTS RESERVED.

LOC	DIST	REVISIONS			
P	LTR	DESCRIPTION	DATE	DWN	APVD
		SEE SHEET 1.			



SHIPPING CARTON

NOTES:

1. TRAY COVER SIZE: 329.5mm(L)X 170mm(W)X 20mm(H).
2. TRAY SIZE: 328.5mm(L)X 170mm(W)X 20mm(H).
3. BOX SIZE: 340mm(L)X 187mm(W)X 210mm(H).
4. CARTON SIZE: 576mm(L)X 350mm(W)X 232mm(H).
5. CARTON NET WEIGHT: 8.7 Kg.
6. CARTON GROSS WEIGHT: 10.4 Kg.

THIS DRAWING IS A CONTROLLED DOCUMENT.		DWN	<b>STE</b> TE Connectivity	
DIMENSIONS: MM		CHK		
TOLERANCES UNLESS OTHERWISE SPECIFIED:		APVD	NAME	
0 PLC ± -		PRODUCT SPEC	1.0MM PCI EXPRESS, 280 POS	
1 PLC ± -		APPLICATION SPEC	SIZE	CAGE CODE
2 PLC ± -		WEIGHT	A3	00779
3 PLC ± -		CUSTOMER DRAWING	DRAWING NO	
4 PLC ± -		SCALE	C=1775276	
ANGLES ± -		SHEET	RESTRICTED TO	
MATERIAL	FINISH	3 OF 3	REV B2	

单击下面可查看定价，库存，交付和生命周期等信息

[>>TE Connectivity\(泰科\)](#)