

4

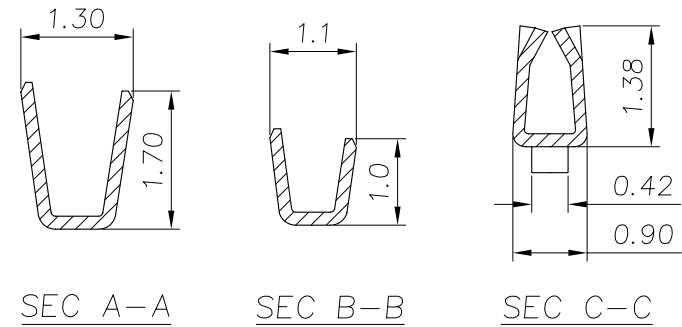
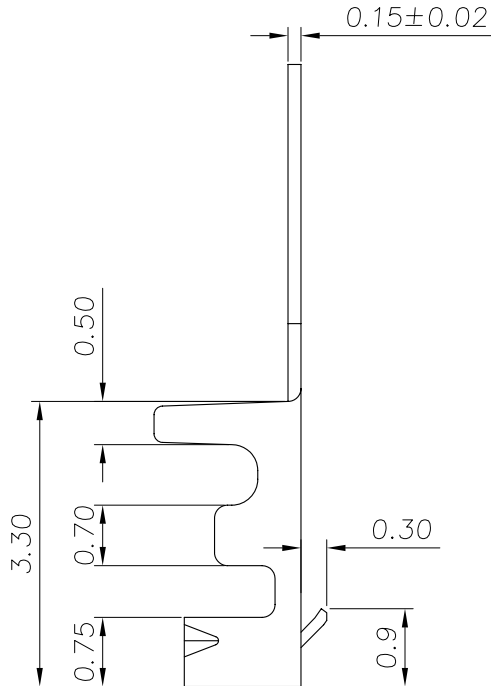
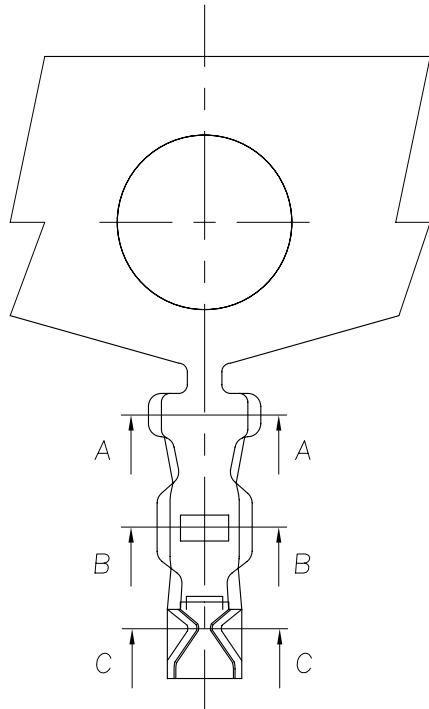
3

2

1

THIS DRAWING IS UNPUBLISHED. RELEASED FOR PUBLICATION AUG. 2006.
 © COPYRIGHT 2009 BY TYCO ELECTRONICS CORPORATION. ALL RIGHTS RESERVED.

LOC		DIST		REVISIONS			
P	LTR	DESCRIPTION		DATE	DWN	APVD	
DW	-	C1	REVISED (ECR-10-025473)	13DEC10	JL	WK	



NOTE:

- MATERIAL:
TERMINAL: PHOSPHOR BRONZE.
 - FINISH:
THICKNESS : PLEASE SEE TABLE.
(A) 440147-1: TIN-LEAD PLATE AND 1.27um MIN. NICKEL UNDERPLATE OVER ALL.
(B) 440147-2: GOLD PLATE IN CONTACT AREA, 1.27um MIN. NICKEL UNDERPLATE OVER ALL.
 - APPLY HOUSING PART NO: X-440146-X.
 - APPLICATION SPECIFICATION: 114-57016.
 - APPLICABLE WIRE RANGE: AWG #28-#32.
- ⚠️ REPLACEMENT P/N: 1734193-1 (LEAD-FREE)

⚠️ OBSOLETE	0.76 μm	440147-2
	2.0 μm	440147-1
	TIN-LEAD PLATING	GOLD PLATING
		PART NUMBER

THIS DRAWING IS A CONTROLLED DOCUMENT.		DWN O. HU 29JUL2003	Tyco Electronics Corporation Taipei, Taiwan	
DIMENSIONS: MM		CHK A. WU 29JUL2003	NAME	
TOLERANCES UNLESS OTHERWISE SPECIFIED:		APVD J. CHENG 29JUL2003	PRODUCT SPEC	
0 PLC ± - 1 PLC ± 0.15 2 PLC ± 0.10 3 PLC ± 0.05 4 PLC ANGLES ± - ± 3'		APPLICATION SPEC		WIRE TO BOARD SOCKET, TERMINAL
MATERIAL SEE NOTE		WEIGHT -	SIZE A3	CAGE CODE 00779
		DRAWING NO C=440147		RESTRICTED TO -
		CUSTOMER DRAWING		SCALE - SHEET 1 OF 2 REV C1

4

3

2

1

THIS DRAWING IS UNPUBLISHED.

RELEASED FOR PUBLICATION

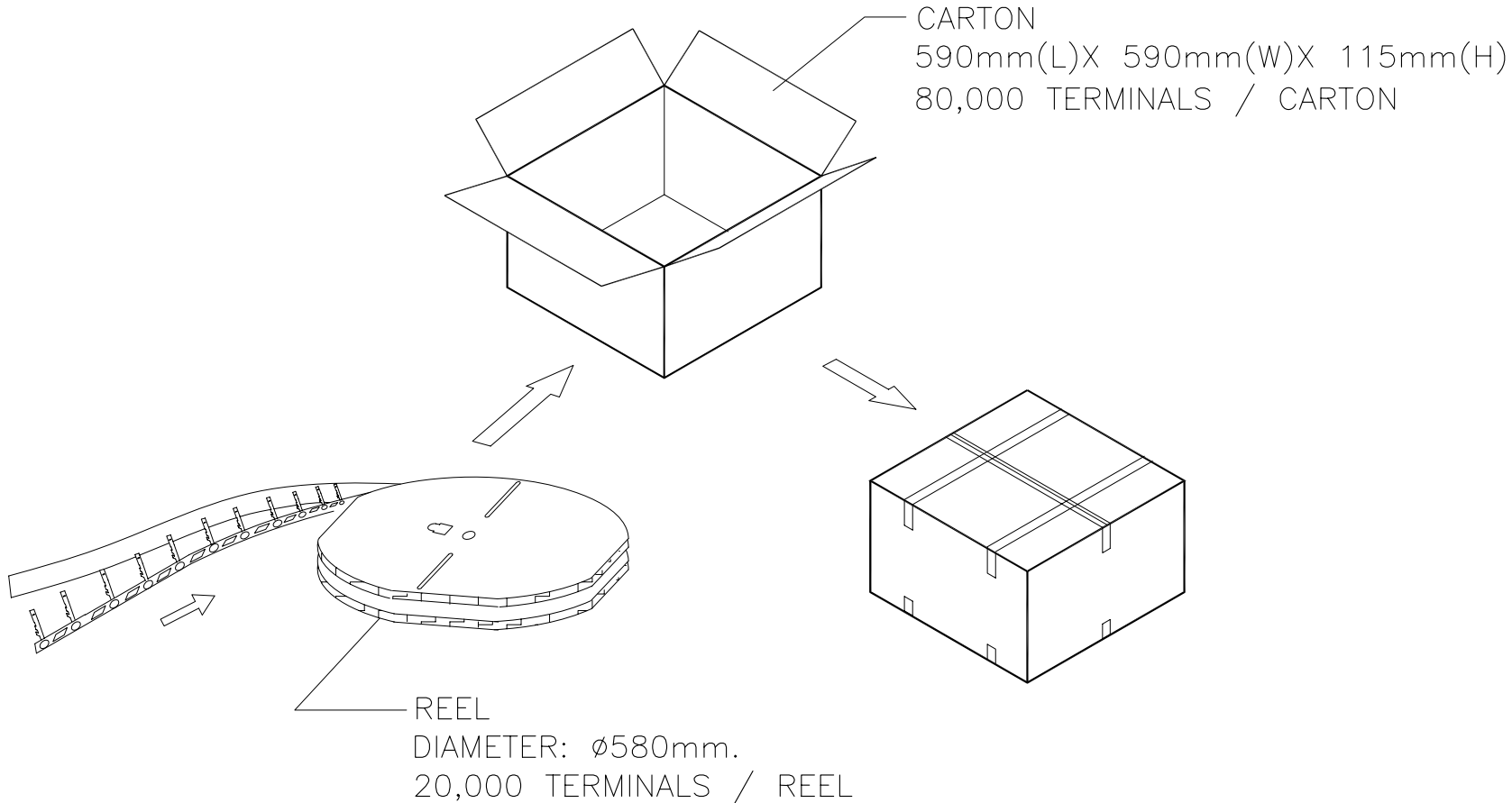
AUG ,2006.

© COPYRIGHT 2009 BY TYCO ELECTRONICS CORPORATION. ALL RIGHTS RESERVED.

LOC DW DIST

REVISIONS

P	LTR	DESCRIPTION	DATE	DWN	APVD
		SEE SHEET 1.			



THIS DRAWING IS A CONTROLLED DOCUMENT.		DWN		Tyco Electronics Corporation	
DIMENSIONS: MM		CHK		Tyco Electronics Taipei, Taiwan	
TOLERANCES UNLESS OTHERWISE SPECIFIED:		APVD		NAME	
0 PLC ± -		PRODUCT SPEC		WIRE TO BOARD SOCKET, TERMINAL	
1 PLC ± -		APPLICATION SPEC		SIZE CAGE CODE DRAWING NO RESTRICTED TO	
2 PLC ± -		WEIGHT		A3 00779 C=440147	
3 PLC ± -		CUSTOMER DRAWING		SCALE	
4 PLC ± -		SHEET 2 OF 2		REV C1	
ANGLES ± -					
FINISH					

单击下面可查看定价，库存，交付和生命周期等信息

[>>TE Connectivity\(泰科\)](#)