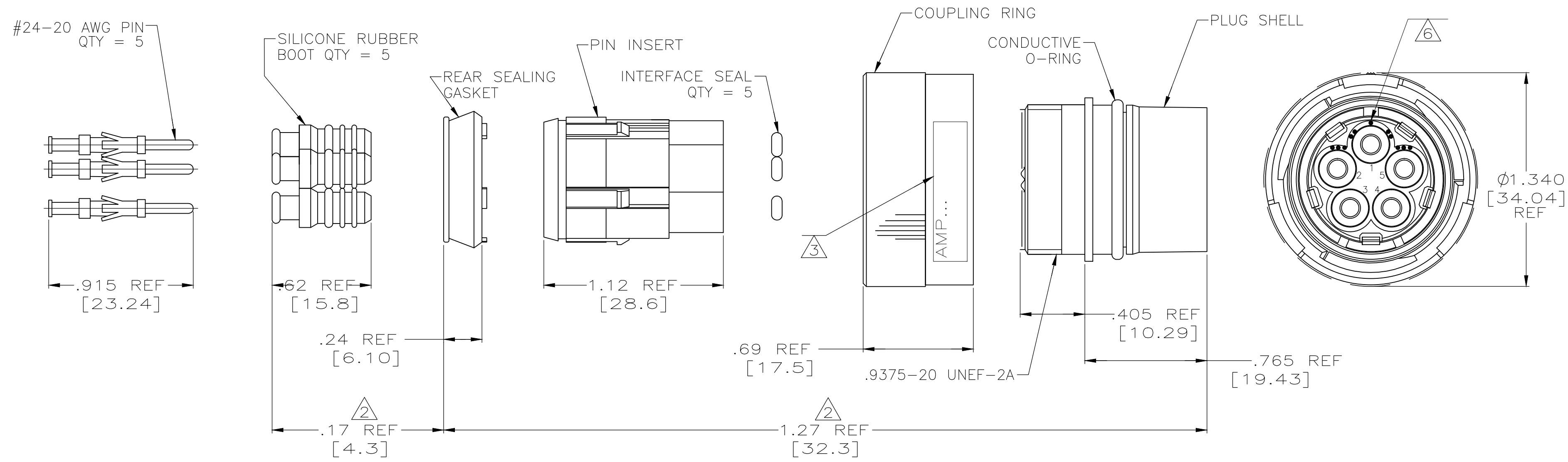


THIS DRAWING IS UNPUBLISHED. RELEASED FOR PUBLICATION
 © COPYRIGHT - By - ALL RIGHTS RESERVED.

LOC	DIST	REVISIONS					
DF	S0	P	LTR	DESCRIPTION	DATE	DWN	APVD
		K		REVISED PER ECO-14-009169	02JUL2014	MGM	CT



- THIS PLUG REQUIRES A SIZE 16 MIL-C-38999F BACKSHELL OR EQUIVALENT STRAIN RELIEF.
- THE INDICATED DIMENSIONS APPLY AFTER ASSEMBLY. COMPLETE OVERALL DIMENSIONS AFTER ASSEMBLY DEPEND UPON THE SPECIFIC BACKSHELL OR STRAIN RELIEF USED.
- MARKED PER MIL-STD-130, .060 [1.52] HIGH CHARS., WITH WHITE INK. SEE TABLE FOR SPECIAL MARKING.
-
- THE THREE OUTER COUPLING RING LATCHES ARE BONDED TO INNER HELIX RING WITH AN EPOXY BASE ADHESIVE.
- SINGLE DOT POLARIZATION SHOWN FOR REFERENCE ONLY.

OBSOLETE	(00779/AMP,864063-4)DATE CODE	49956-848285-6B REV M	864063-4
OBSOLETE	(00779/AMP,864063-3)DATE CODE	49956-848285-6A REV M	864063-3
OBSOLETE	(00779/AMP,864063-2)DATE CODE	49956-848285-6 REV M	864063-2
	(00779/AMP,864063-1)DATE CODE	-	864063-1
AMP INFO		CUSTOMER INFO	PART NO.

DIMENSIONS:		TOLERANCES UNLESS OTHERWISE SPECIFIED:		APVD		NAME	
INCHES		0 PLC	± -	DWN	C.C.THOMAS	11-19-96	TE Connectivity
		1 PLC	± -	CHK	C.SHELLY	11-26-96	
		2 PLC	± -	APVD	-	-	PLUG KIT,5 POSN.,LGH
		3 PLC	± -	PRODUCT SPEC	-	-	-
		4 PLC	± -	APPLICATION SPEC	-	-	-
		ANGLES	± -	WEIGHT	-	-	SIZE CAGE CODE DRAWING NO RESTRICTED TO
MATERIAL	FINISH						A2 00779 C-864063
							CUSTOMER DRAWING SCALE 2:1 SHEET 1 OF 1 REV K

单击下面可查看定价，库存，交付和生命周期等信息

[>>TE Connectivity\(泰科\)](#)