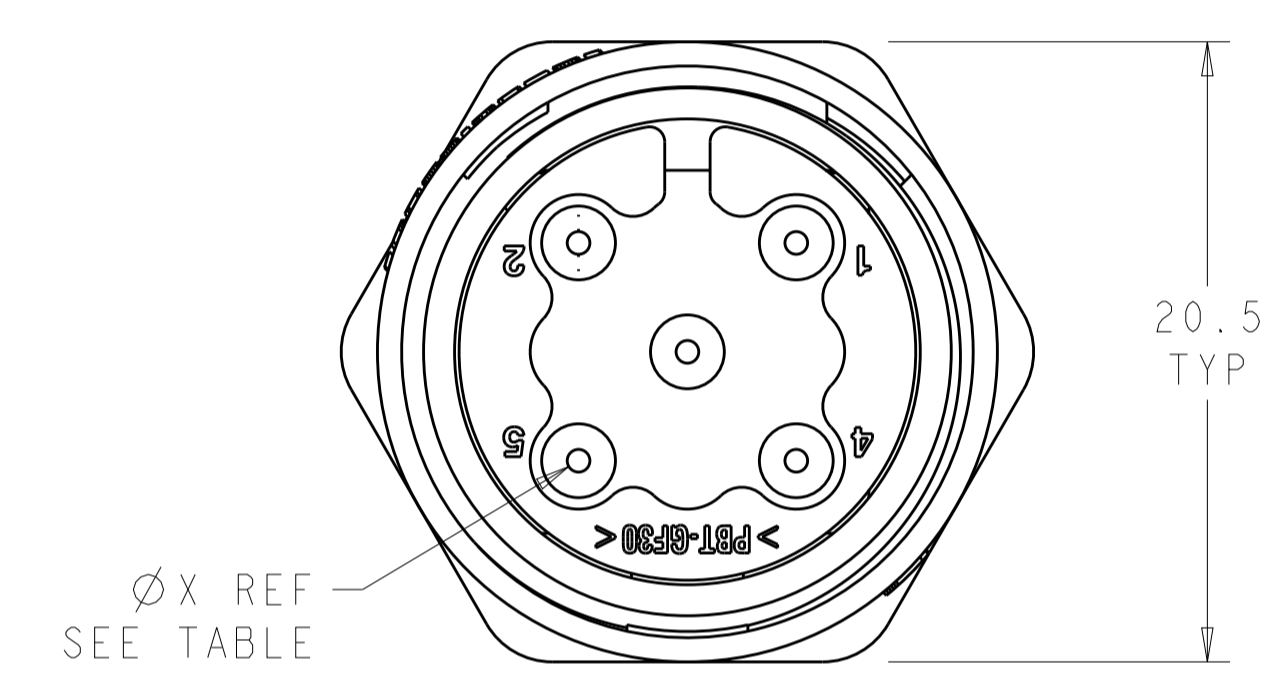
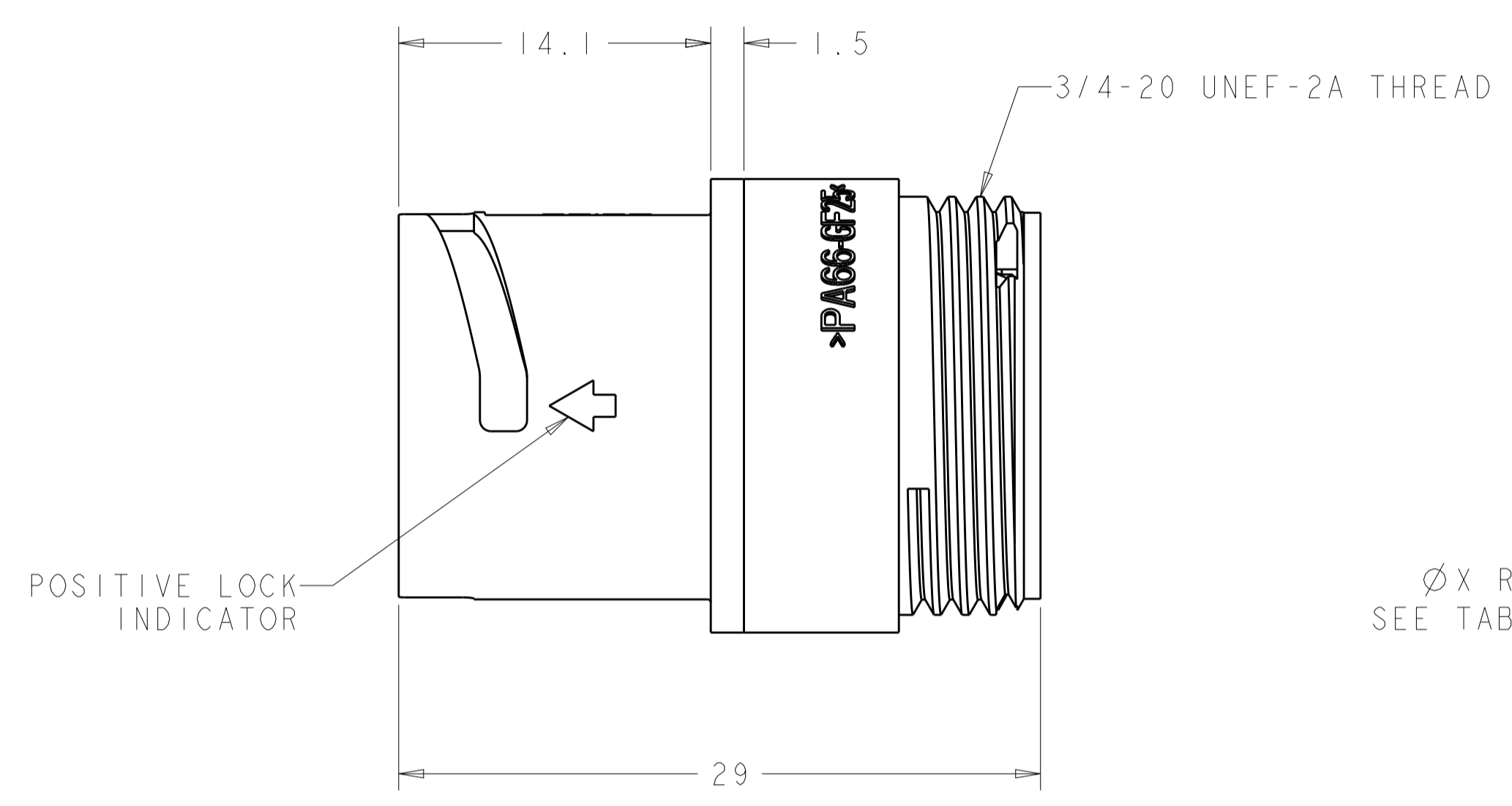
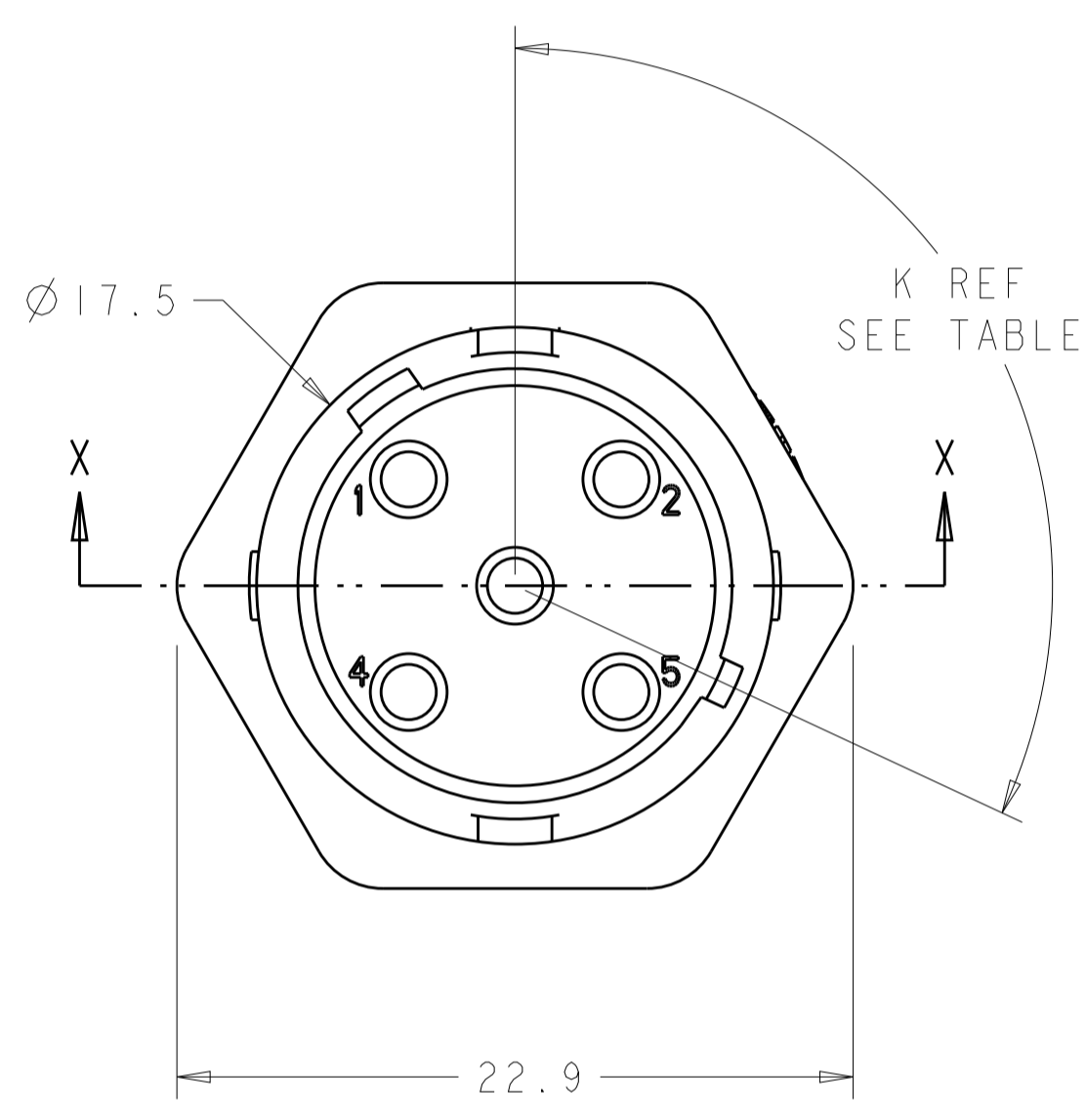
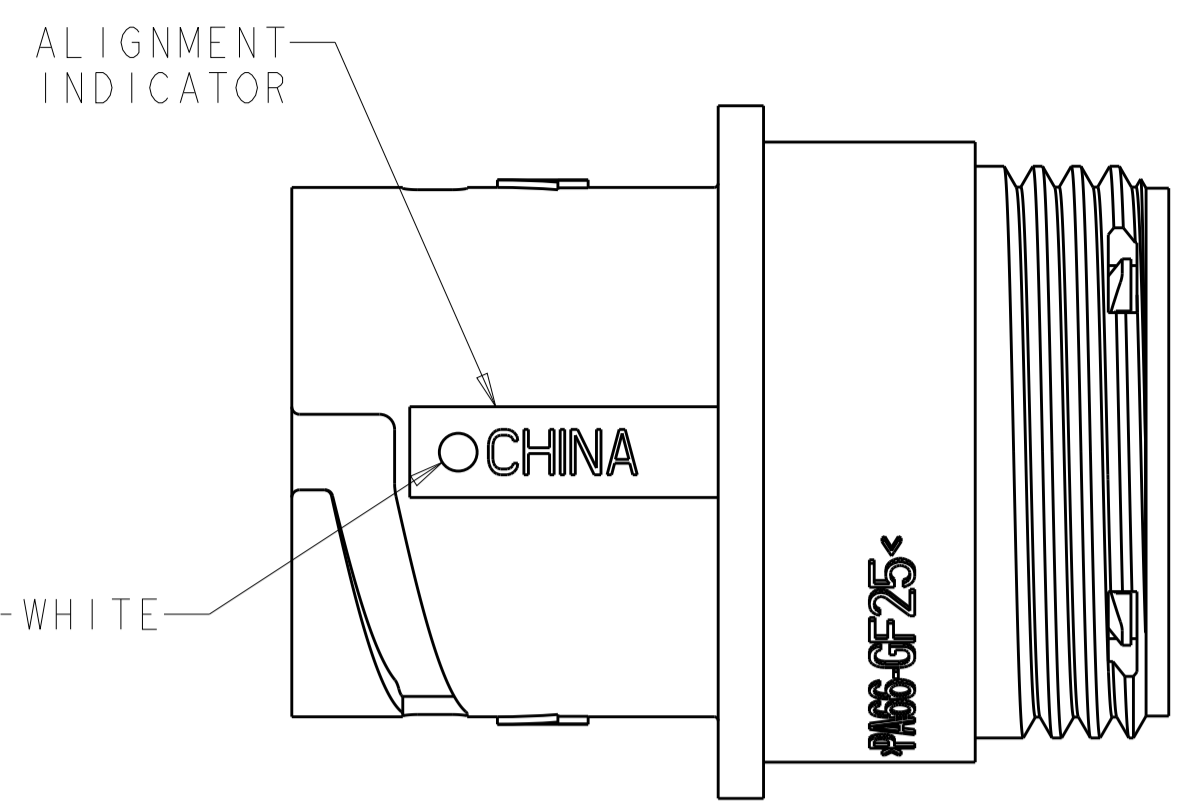
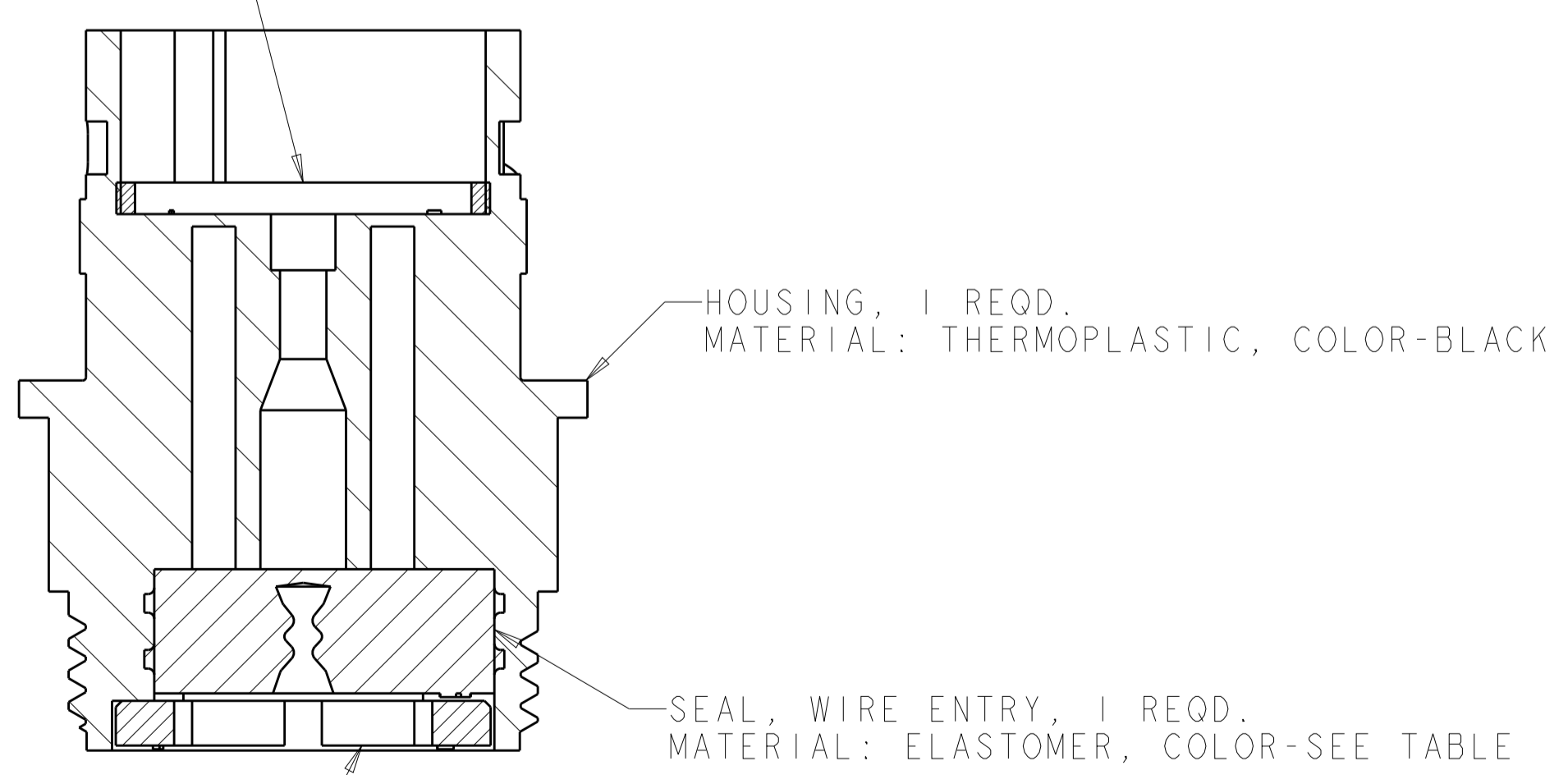


REVISIONS				
P.	LTN.	DESCRIPTION	DATE	APVD.
B1		REVISED PER ECO-15-010004	11JUL2015	NK MZ
C		REVISED PER ECO-16-018352	23MAR2017	RS MZ



SEAL, PERIPHERAL, 1 REQD.
 MATERIAL: ELASTOMER, COLOR-GRAY



RETAINER, SEAL, 1 REQD.
 MATERIAL: THERMOPLASTIC, COLOR-BLACK

SECTION X-X

OBSELETE	YELLOW	Ø0.75	135°	1445829-04
	NATURAL	Ø1.5	115°	1445829-03
OBSELETE	NATURAL	Ø1.5	135°	1445829-02
	YELLOW	Ø0.75	115°	1445829-01
	SEAL, WIRE ENTRY COLOR	ØX REF	K REF	PART NUMBER

THIS DRAWING IS A CONTROLLED DOCUMENT. DWN: SHANE WIESE, 23OCT2001
 CHK: G DOUTY, 23OCT2001
 APVD: H. WAKEEM, 13JUN2003

STE TE Connectivity

NAME: ASSEMBLY, SIZE 11, 5 POSITION, FREE HANGING, SEALED, MINI CPC

SIZE: A1, CAGE CODE: 100779, DRAWING NO: 1445829, RESTRICTED TO: -

MATERIAL: SEE CALLOUT, FINISH: -
 WEIGHT: -
 CUSTOMER DRAWING

SCALE: 4:1, SHEET: 1 OF 1, REV: C

单击下面可查看定价，库存，交付和生命周期等信息

[>>TE Connectivity\(泰科\)](#)