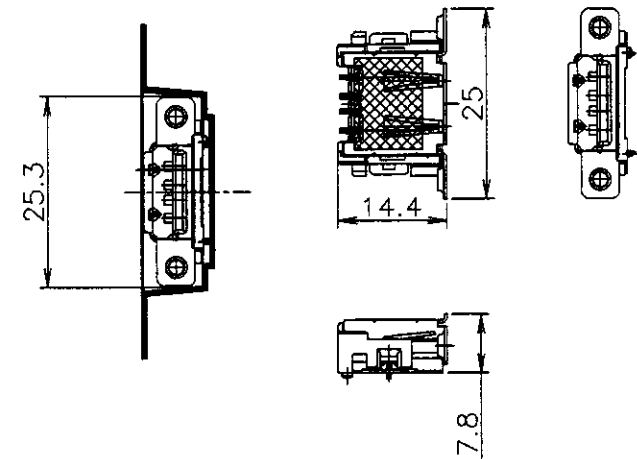
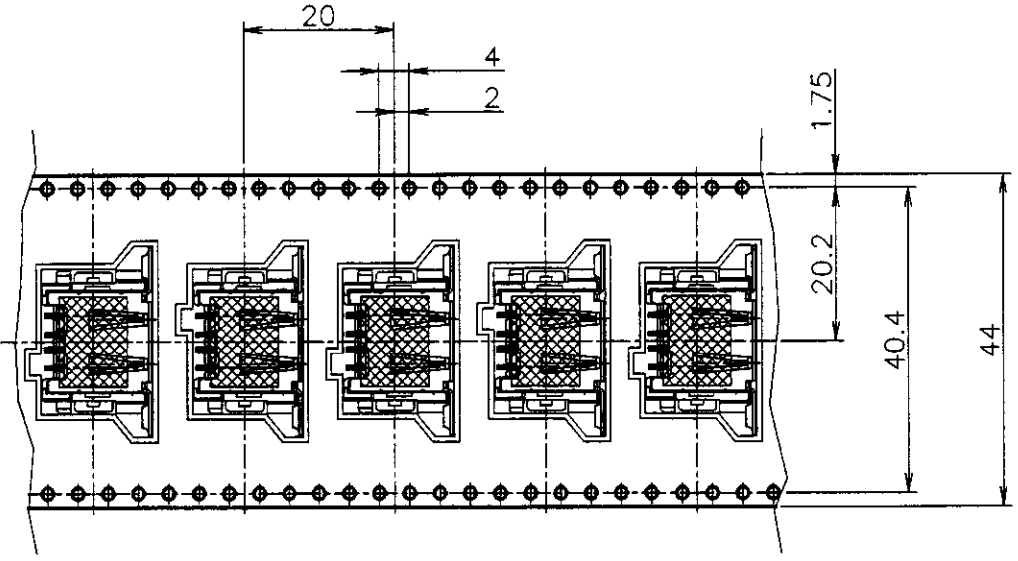


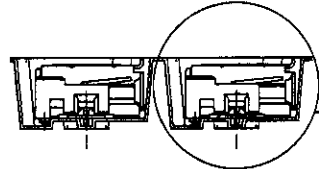
LOC	DIST	REVISIONS						
		P	LTR	DESCRIPTION	ECN	DATE	DWN	APVD
J		0		RELEASED	FJ00-0776-97	19/MAY/'97	Y.W	T.Y
		A		REVISED	FJ00-1226-00	7-AUG-'00	Y.W	JK
		A1		REVISED PER ECO-10-000445		09JAN10	KK	AEG

リール引出し方向
DIRECTION OFF TOP OF REEL



CONNECTOR DETAIL

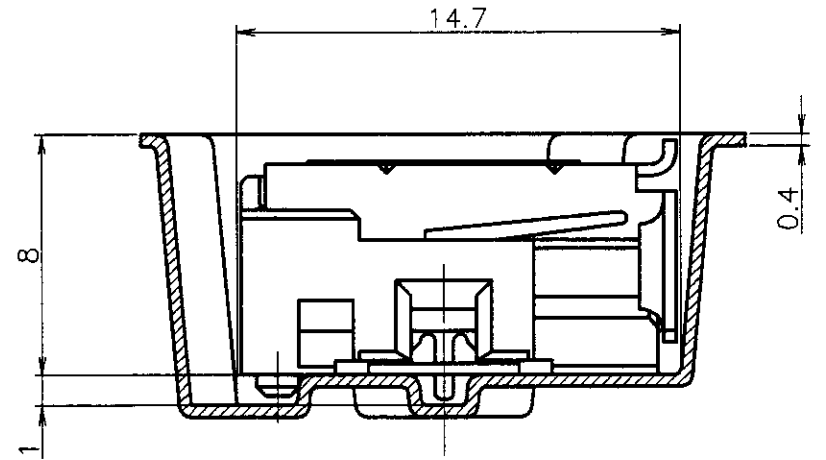
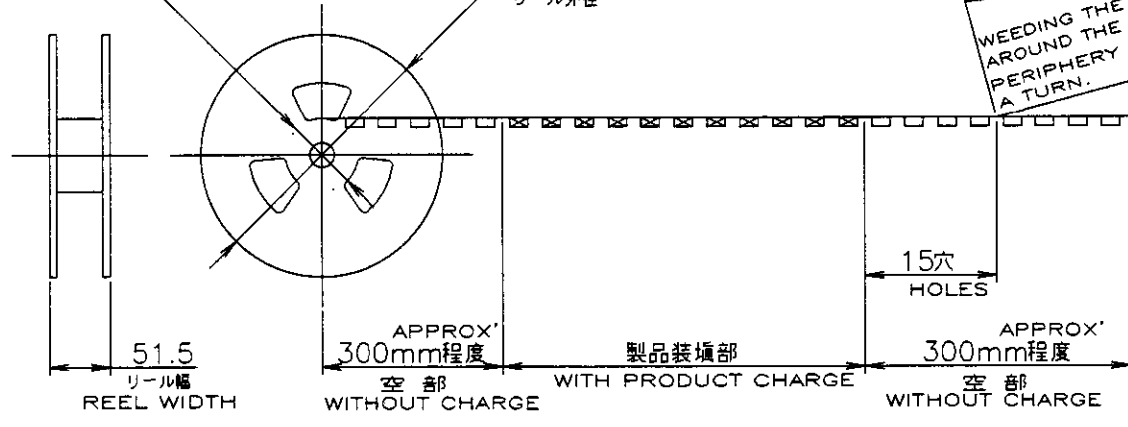
FLANGE CORE DIAMETER
フランジコア径
φ100



SEE DETAIL "A"

φ380
REEL DIAMETER
リール外径

カバーテープ
リーダー部
外周一巻
WEEDING THE COVER TAPE
AROUND THE OUTER
PERIPHERY IN
A TURN.



DETAIL "A"
(SCALE 4-1)

⚠ OBSOLETE	BLACK	350	4	1-912070-8	1-353576-2	353928-2
	WHITE	350	4	1-912070-8	1-353576-1	353928-1
	HOUSING COLOR	QTY	POS	EMBOSS P/N	CONN. P/N	PART NO.

⚠ OBSOLETE PARTS: OBSOLETE CIS STREAMLINING PER D.RENAUD/D.SINISI

THIS DRAWING IS A CONTROLLED DOCUMENT.		DWN Y.WATANABE 19/MAY/'97	AMP Tyco Electronics AMP K.K. Kawasaki, Japan	
DIMENSIONS: 単位: 耗 MM	TOLERANCES UNLESS OTHERWISE SPECIFIED: 一般公差	CHK T.YAMADA 19/MAY/'97	NAME T.YAMADA	
	±0.3, ±5°	APVD T.YAMADA 19/MAY/'97	PRODUCT SPEC 製品規格 108-5563	
		APPLICATION SPEC 取付適用規格	EMBOSS ASSY REVERSE TYPE USB CONN. REC. WITH COVER TYPE	
MATERIAL 材料	FINISH 仕上	WEIGHT	SIZE A3	CAGE CODE 00779
		DRAWING NO 番号 G-353928		RESTRICTED TO
CUSTOMER DRAWING		SCALE 尺度 1:1	SHEET 1 OF 1	REV A1

单击下面可查看定价，库存，交付和生命周期等信息

[>>TE Connectivity\(泰科\)](#)