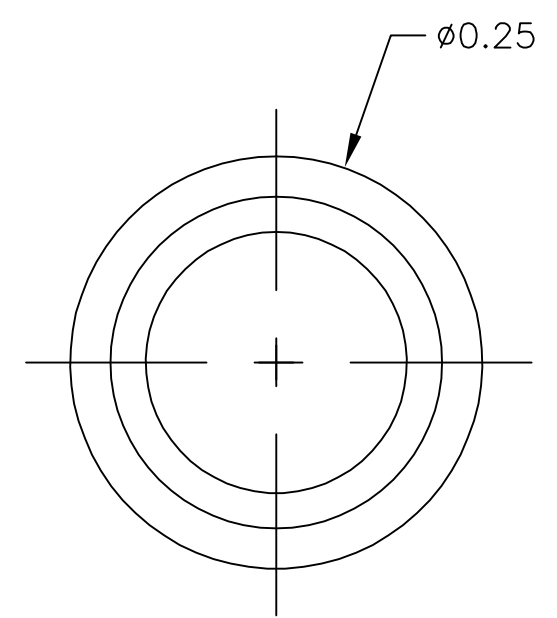
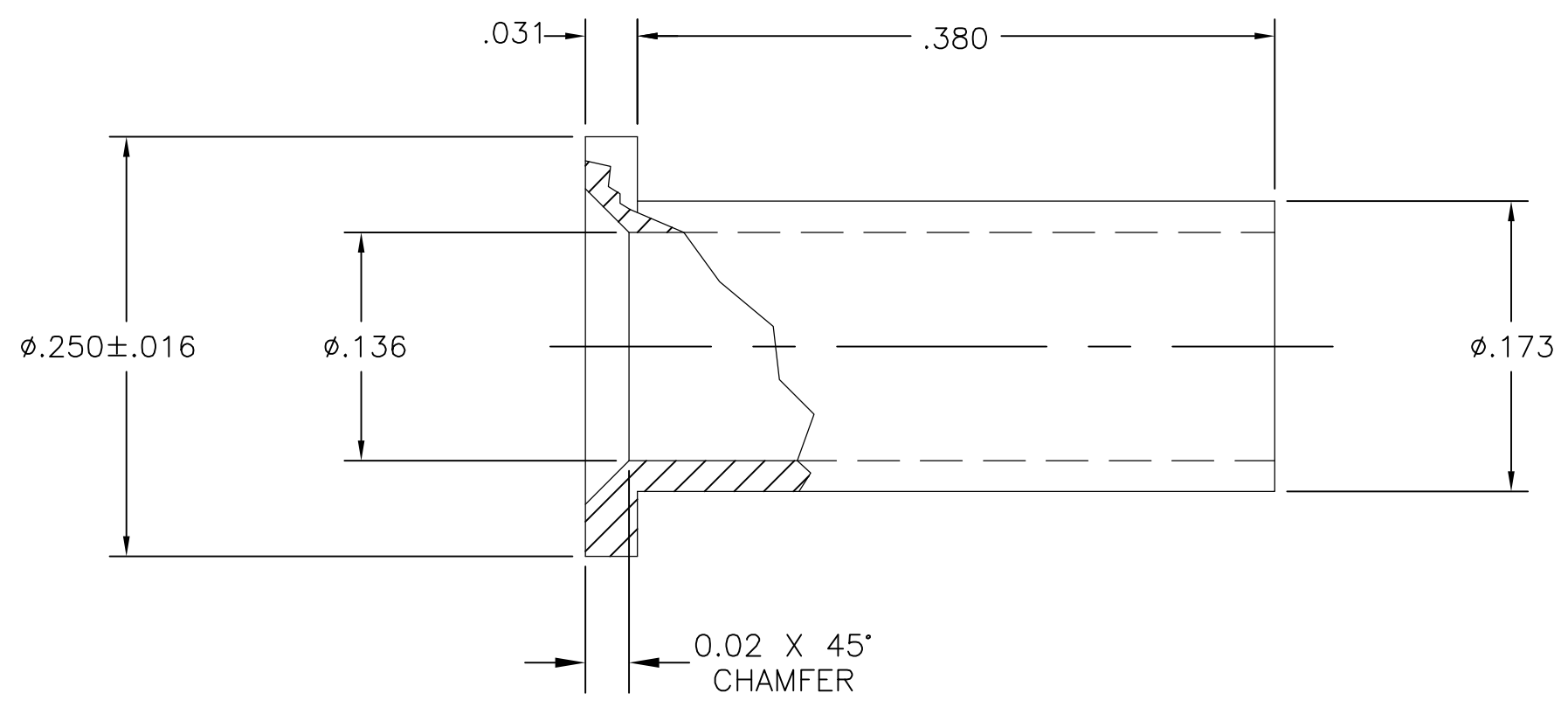


THIS DRAWING IS UNPUBLISHED. RELEASED FOR PUBLICATION
 © COPYRIGHT - BY TYCO ELECTRONICS CORPORATION. ALL RIGHTS RESERVED.

LOC	DIST	REVISIONS					
GP	00	P	LTR	DESCRIPTION	DATE	DWN	APVD
			B	REV PER ECO-06-026062	06NOV06	RG	DO



- PART NUMBER CHANGES AND/OR DESIGN CHANGES AFFECTING ITEM INTERCHANGEABILITY REQUIRE PRIOR TYCO APPROVAL AND AUTHORIZATION BY REVISION TO THIS DRAWING.
- ITEMS PROVIDED TO THIS SPECIFICATION SHALL BE IDENTIFIED ON THE CONTAINER WITH THE FOLLOWING INFORMATION:
PART NUMBER & DATE CODE OF MANUFACTURE

- 3 MATERIAL: COPPER ALLOY
- 4 FINISH:
SILVER PLATE .0002" MIN THK. OVER
NICKEL .000050" MIN THK.

5. MANUFACTURED IN ACCORDANCE WITH MS 3348 SPEC.

THIS DRAWING IS A CONTROLLED DOCUMENT.		DWN	06/27/05		tyco Electronics	Tyco Electronics Corporation	
DIMENSIONS: INCHES		CHK	ALIM/GRZYBOWSKI			Harrisburg, PA 17105-3608	
TOLERANCES UNLESS OTHERWISE SPECIFIED:		APVD	-		NAME		BUSHING, CRIMP REDUCER, SIZE 8 TO 10 AWG DRAWERS / DOMINO
0 PLC ± -		PRODUCT SPEC	CHAU/FLICKINGER		-		
1 PLC ± -		APPLICATION SPEC	-		SIZE	CAGE CODE	DRAWING NO
2 PLC ± .01		WEIGHT	-		A3	00779	C-1766261
3 PLC ± .005		CUSTOMER DRAWING		SCALE	10:1	SHEET	1 OF 1
4 PLC ± -				RESTRICTED TO	-		
ANGLES ± 3				REV	B		
FINISH							

单击下面可查看定价，库存，交付和生命周期等信息

[>>TE Connectivity\(泰科\)](#)