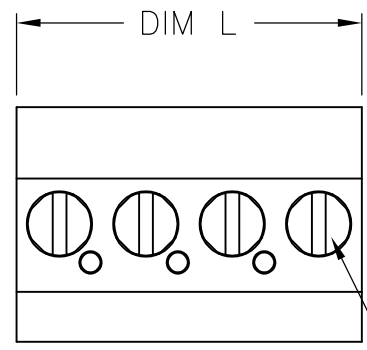


THIS DRAWING IS UNPUBLISHED. RELEASED FOR PUBLICATION  
 © COPYRIGHT BY TYCO ELECTRONICS CORPORATION. ALL RIGHTS RESERVED.

LOC	DIST	REVISIONS			
P	LTR	DESCRIPTION	DATE	DWN	APVD
—	—	A	REVISED PER ECO-09-014471	18JUN09	HMR CR

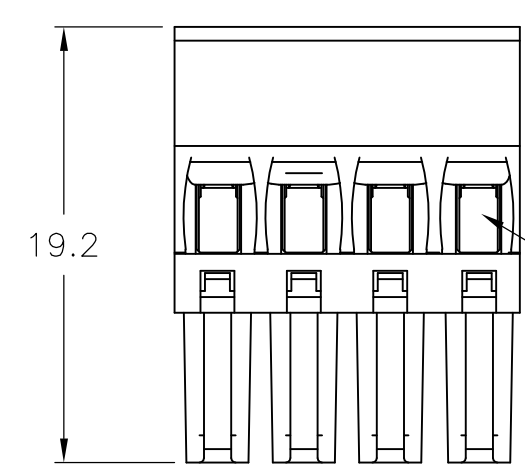


CLAMPING SCREW

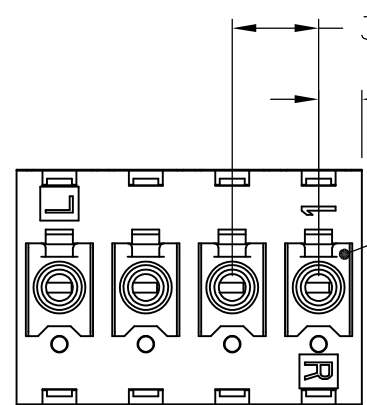
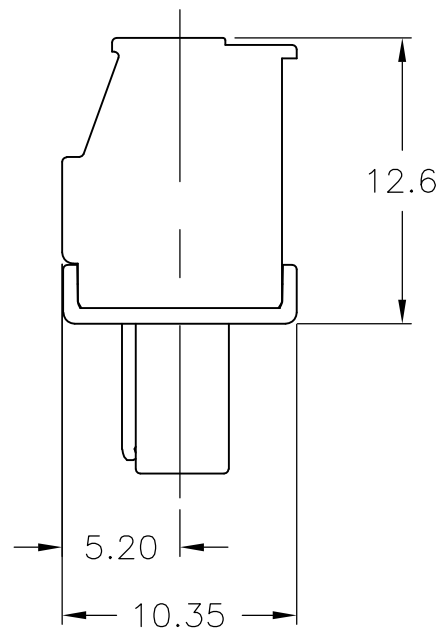
**MATERIALS AND FINISH:**  
 HOUSING: PA 6-6, UL94V-0, COLOR: GREEN.  
 CLAMP: BRASS, NICKEL PLATED.  
 CONTACT SPRING: PHOSPHOR BRONZE, TIN PLATED.  
 CLAMPING SCREW: M2, BRASS, NICKEL PLATED.

**ELECTRICAL:**  
 VOLTAGE RATING: 300V  
 CURRENT RATING: 11A  
 WIRE SIZE RANGE: 14-30 AWG

**ENVIRONMENTAL:**  
 OPERATING TEMP RANGE: -40°C TO +110°C



WIRE ENTRY



MATING FACE

60.96	16	1-1986374-6
57.15	15	1-1986374-5
53.34	14	1-1986374-4
49.53	13	1-1986374-3
45.72	12	1-1986374-2
41.91	11	1-1986374-1
38.10	10	1-1986374-0
34.29	9	1986374-9
30.48	8	1986374-8
26.67	7	1986374-7
22.86	6	1986374-6
19.05	5	1986374-5
15.24	4	1986374-4
11.43	3	1986374-3
7.62	2	1986374-2
DIM L	NO OF POS	PART NUMBER

THIS DRAWING IS A CONTROLLED DOCUMENT.		DWN S SCHLEGEL 17MAR2008	Tyco Electronics Corporation Harrisburg, PA 17105-3608	
DIMENSIONS: mm		CHK C RICHARD 3/17/08	NAME	
TOLERANCES UNLESS OTHERWISE SPECIFIED:		APVD C RICHARD 3/17/08	TERMINAL BLOCK, PLUG, VERTICAL STACKING, RIGHT HAND, 3.81mm PITCH	
0 PLC ± -		PRODUCT SPEC	SIZE	CAGE CODE
1 PLC ± 0.3		APPLICATION SPEC	A3	00779
2 PLC ± 0.25		WEIGHT	DRAWING NO	
3 PLC ± -		CUSTOMER DRAWING	C-1986374	
4 PLC ± -		RESTRICTED TO	SCALE	
ANGLES ± 2'		—	NTS	
MATERIAL	FINISH	SHEET		REV
—	—	1 OF 1		A

单击下面可查看定价，库存，交付和生命周期等信息

[>>TE Connectivity\(泰科\)](#)