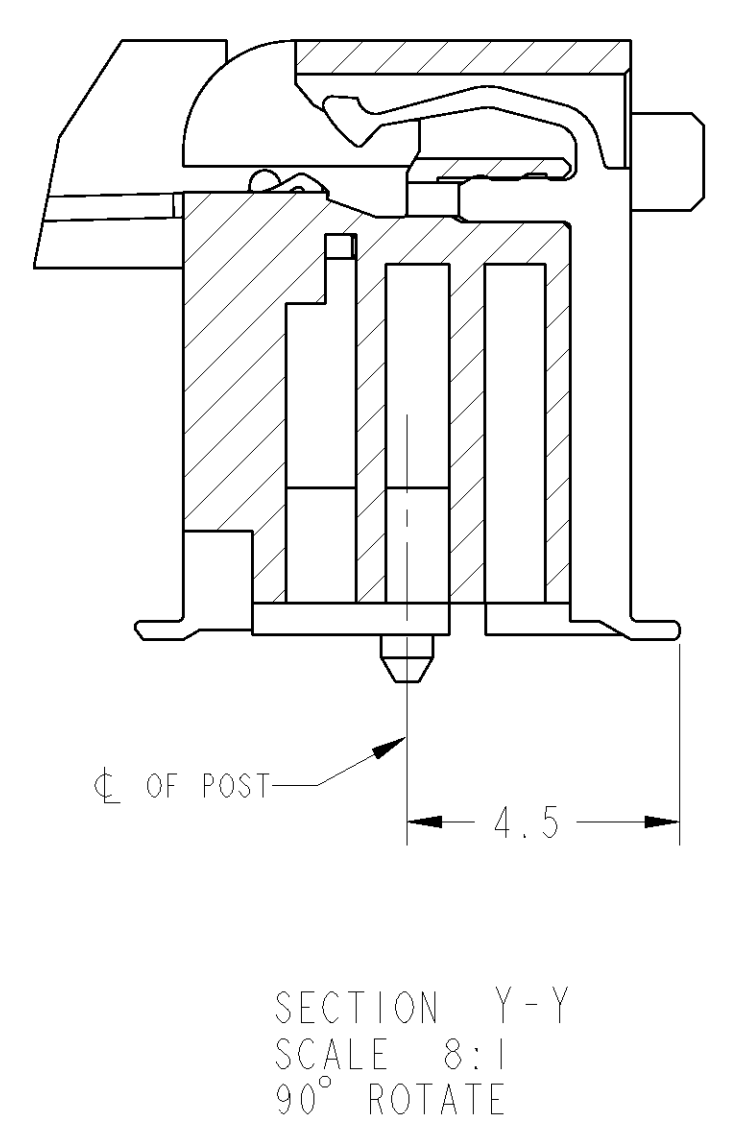
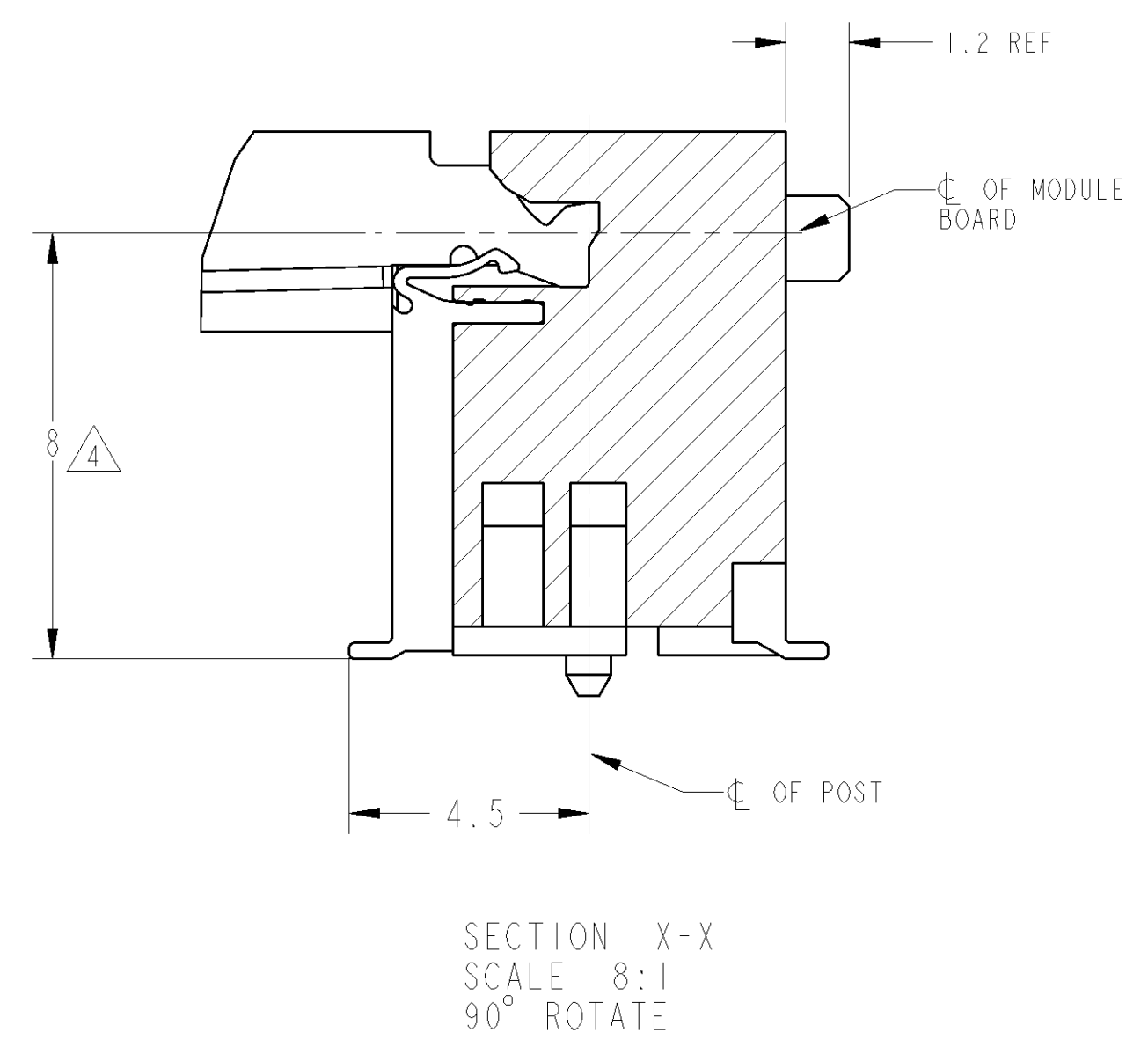
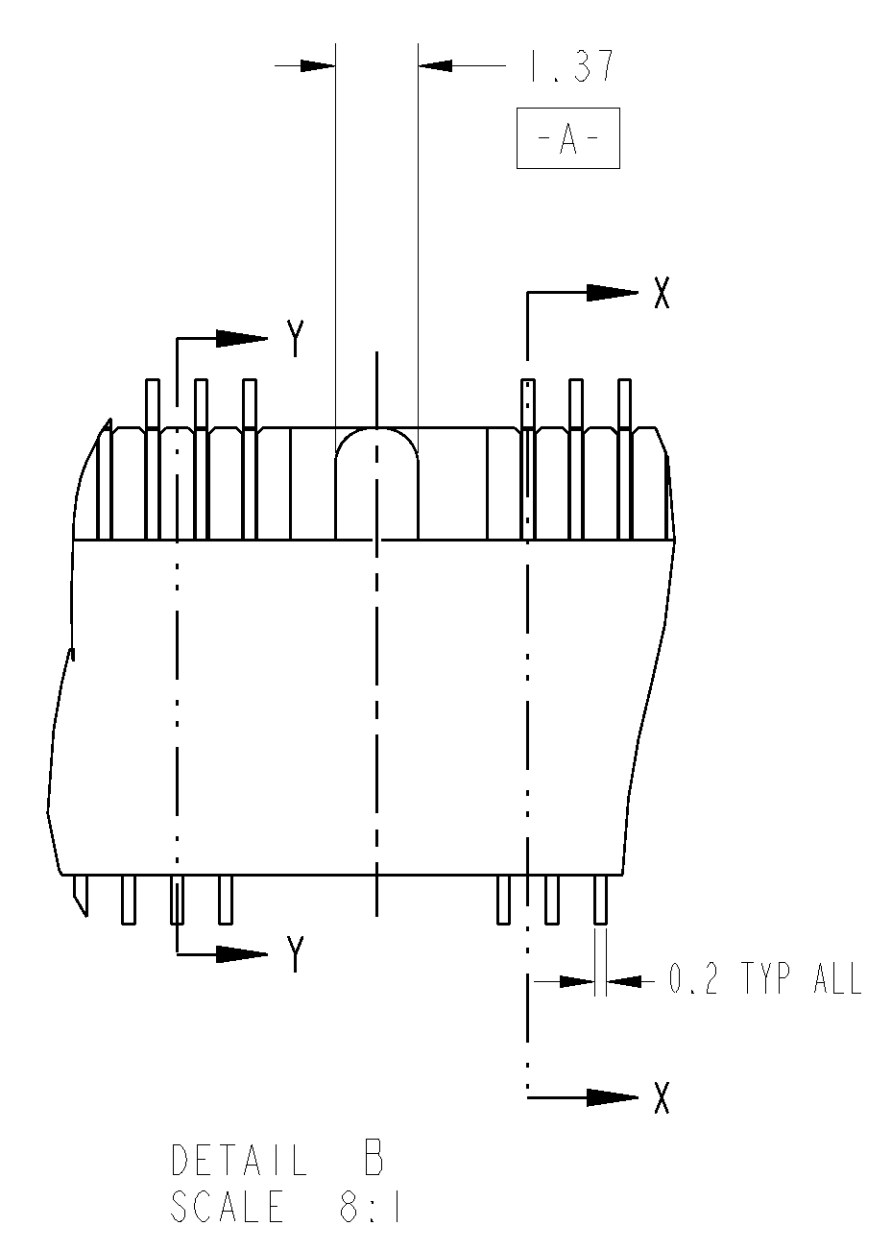
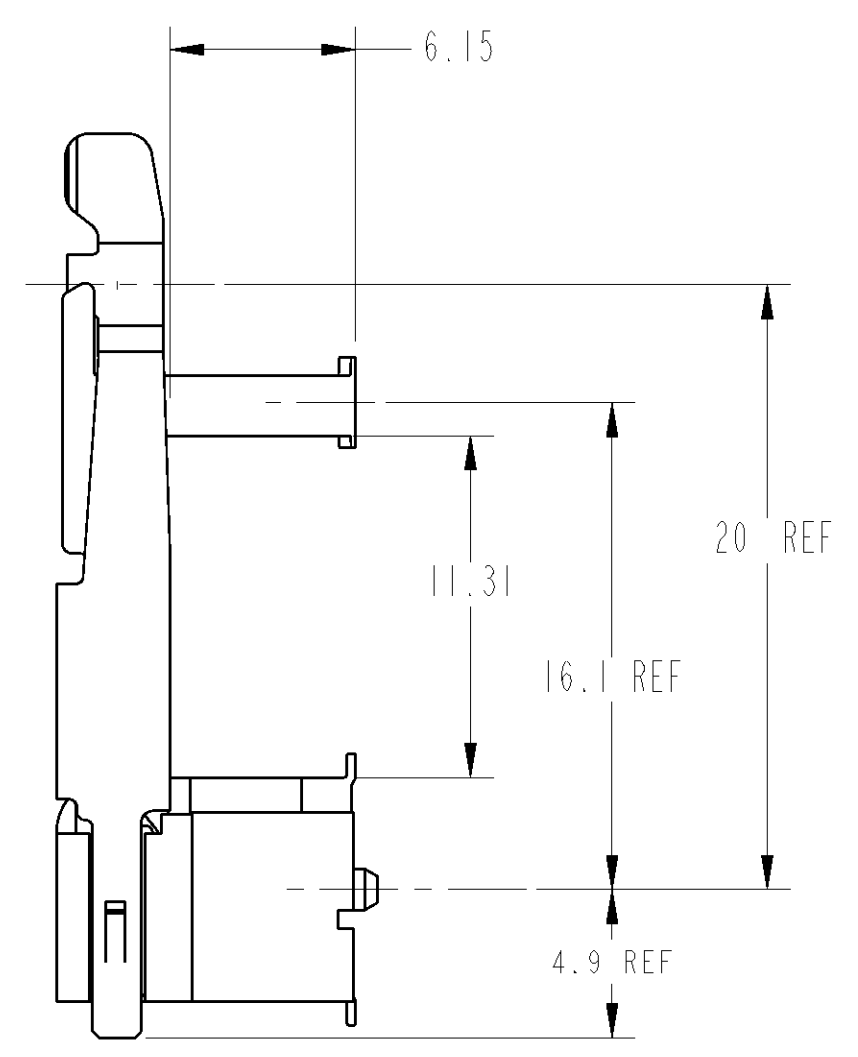
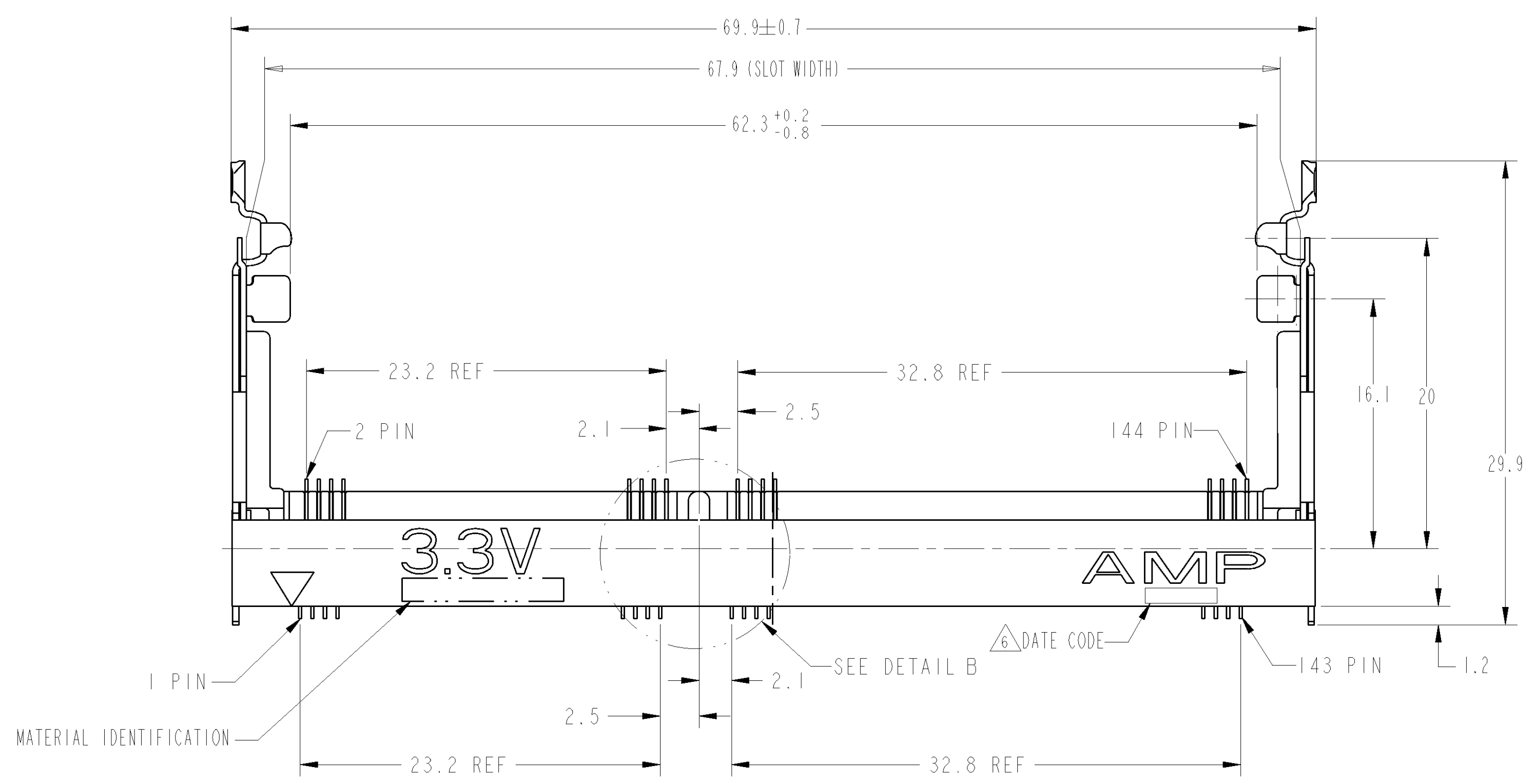
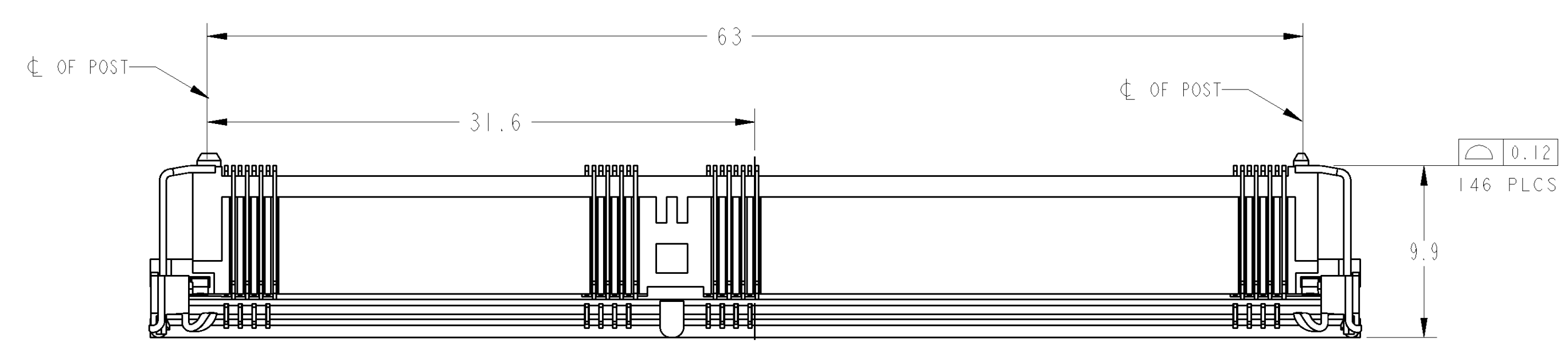


LOC	DIST	REVISONS			
F	LTR	DESCRIPTION	DATE	DMN	APFD
L1		REVISED PER ECO-11-005139	19MAR11	RK	HMR

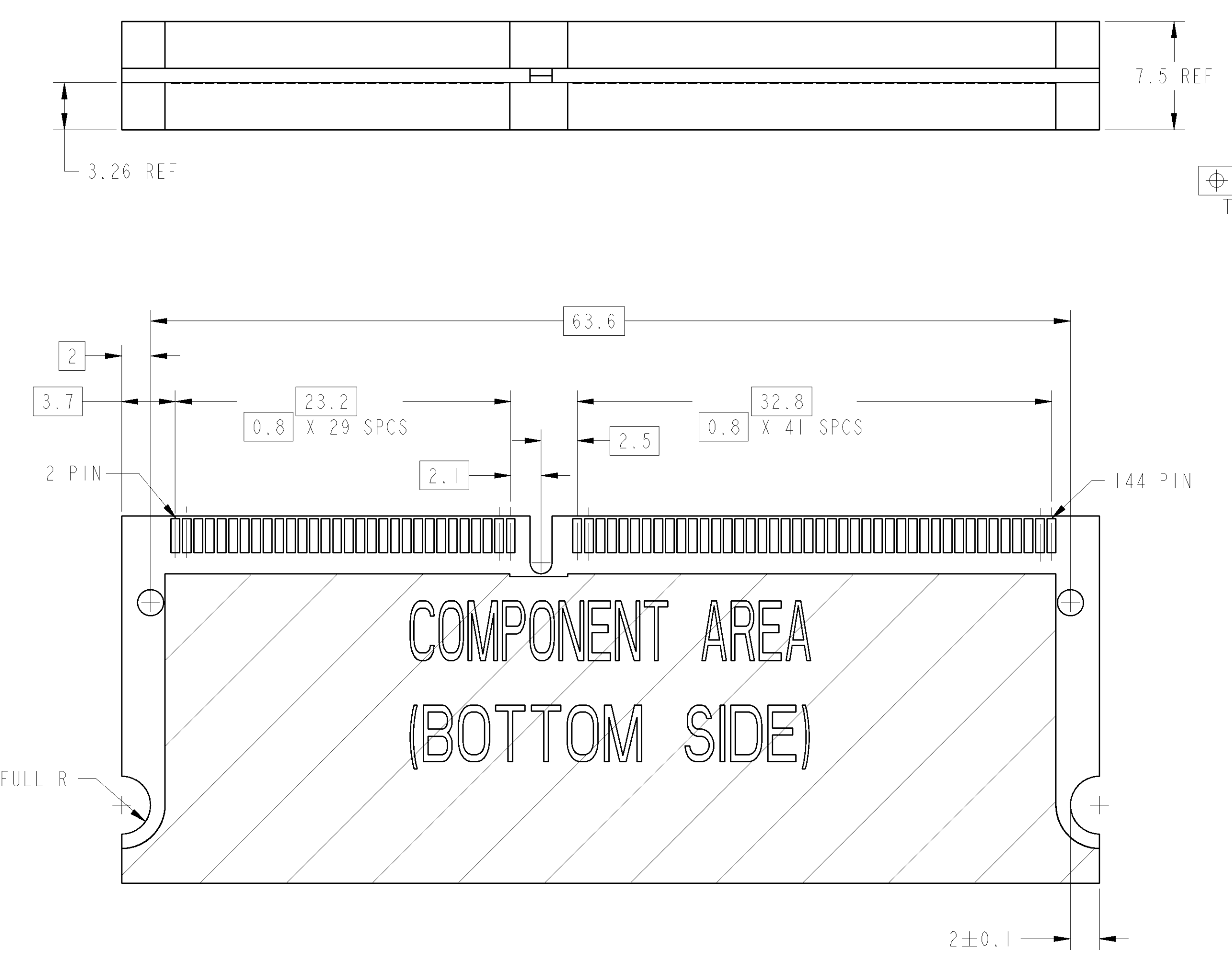
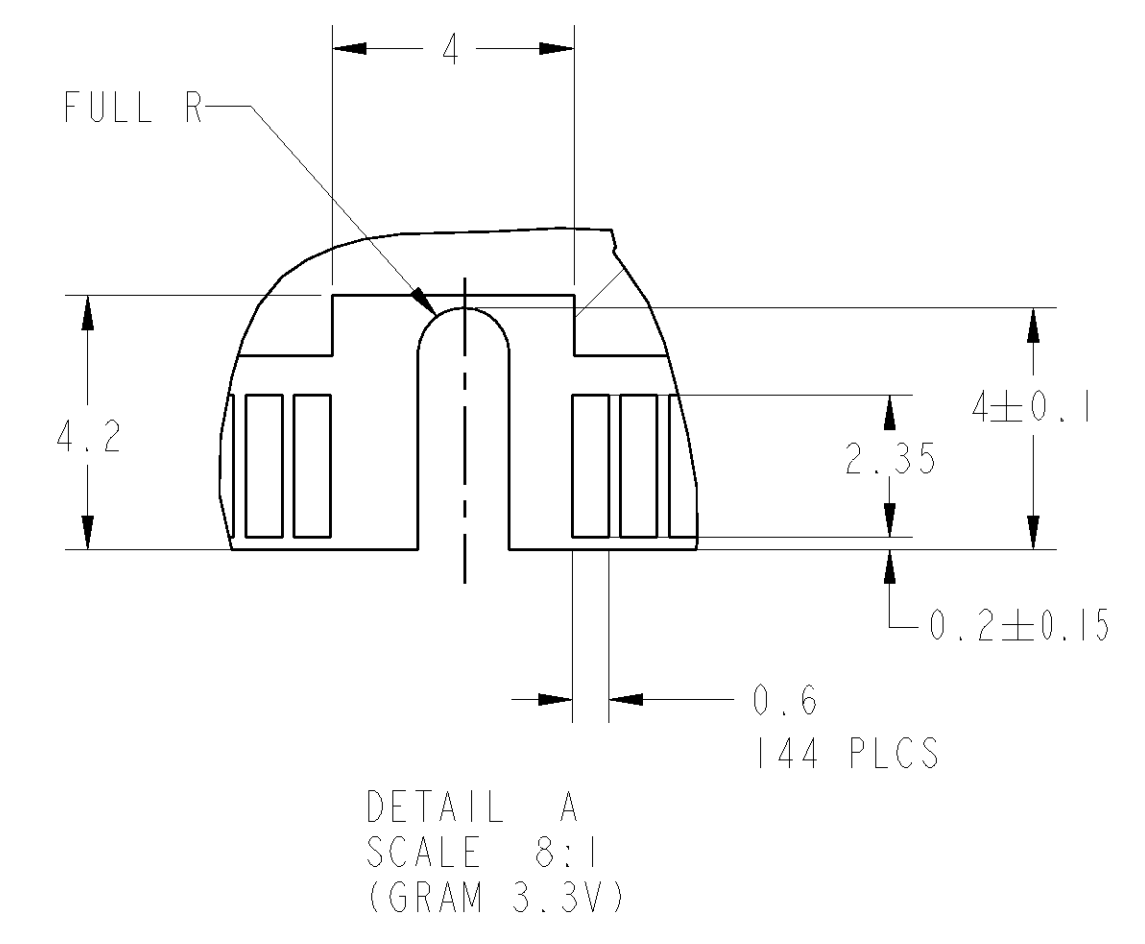
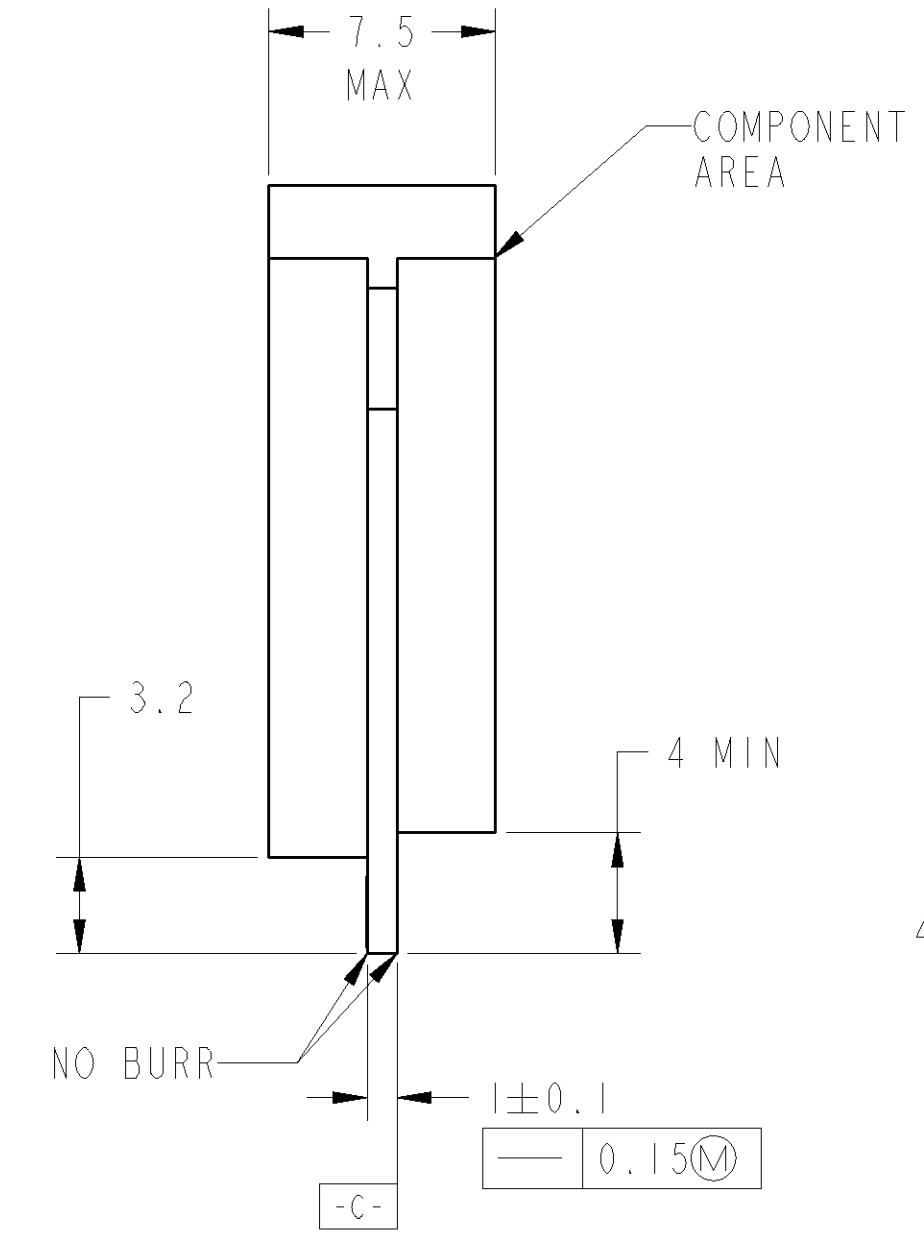
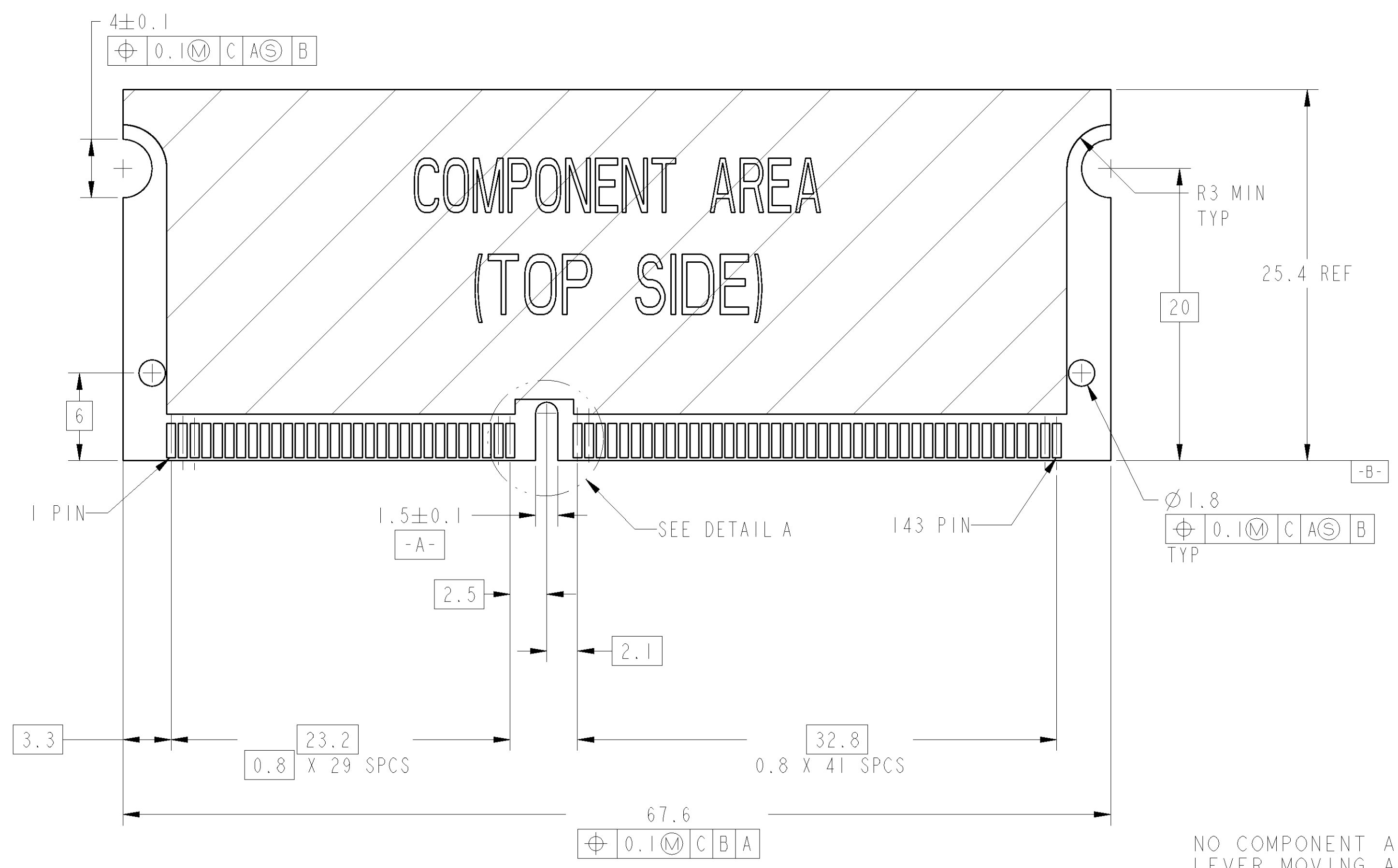


- △ MATERIAL, HOUSING, HIGH TEMP. PLASTIC, UL94V-0  
CONTACT: COPPER ALLOY  
LOCK LEVER: SUS301 TIN PLATING.
- △ FINISH; CONTACT AREA: 0.00025 MIN GOLD PLT ON  
0.001 MIN ALL OVER NICKEL  
SOLDERING AREA: 0.00005 MIN TO 0.00030 MAX GOLD PLATE
- 3. TOLERANCES NON-ACCUMULATIVE.
- △ DIMENSIONING TO MODULE CENTER LINE.
- △ PART PACKAGING PER EIA-IS-704 STANDARD REEL  
DIAMETER SHALL BE 330mm. TAPE WIDTH SHALL  
BE 88mm AND TAPE PITCH SHALL BE 36mm
- △ DATE CODE (4-DIGITS), LOCATED AS SHOWN.  
TO BE INTERPRETED AS FOLLOWS:  
DIGIT # 1 - LAST DIGIT OF YEAR.  
DIGITS # 2 AND # 3 - CALENDAR WEEK.  
DIGIT # 4 - DAY OF THE WEEK (WITH SUNDAYS AS DAY 1).

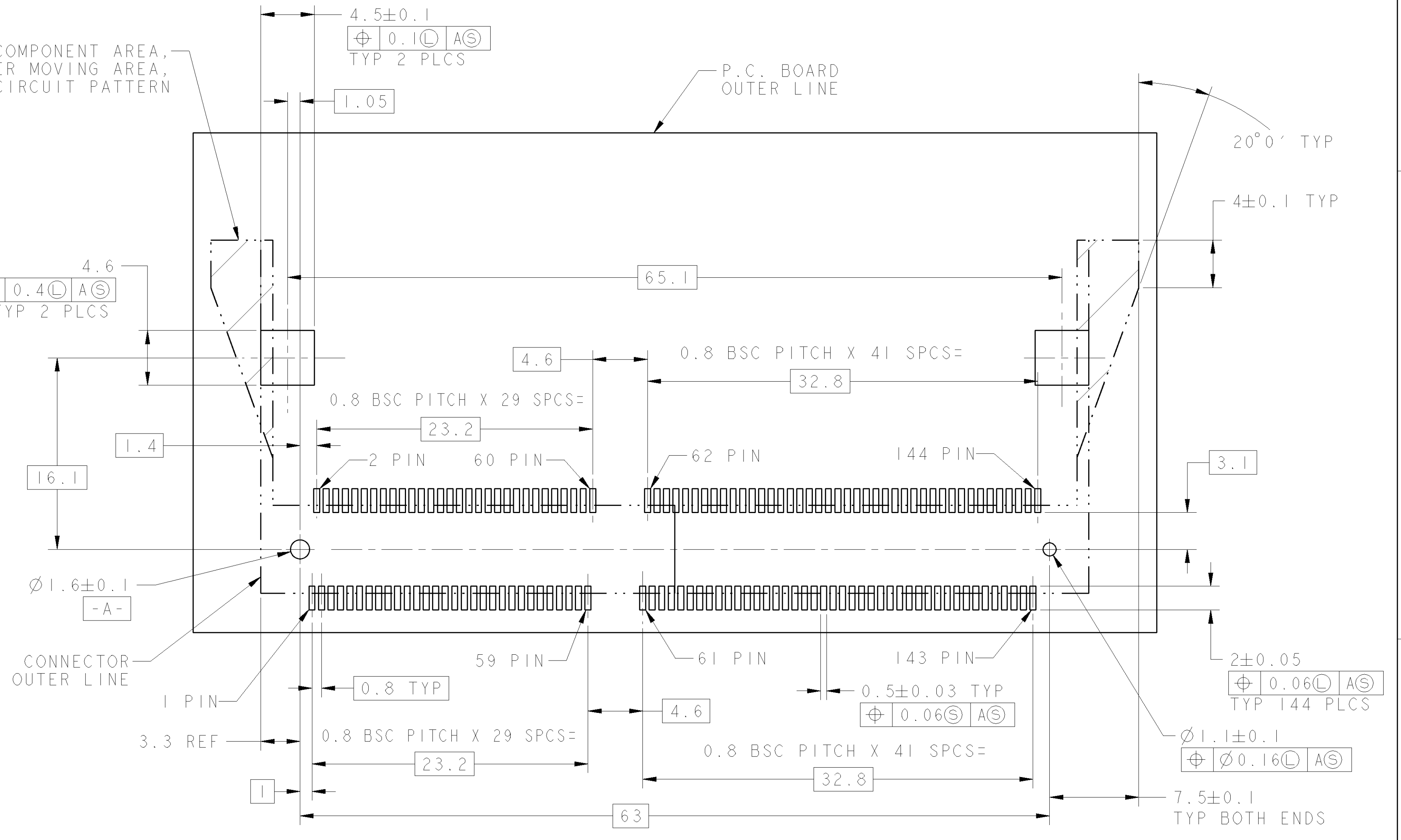
AVAILABLE	SDRAM 3.3V	144	6-390322-1	△ 5
AVAILABLE	SDRAM 3.3V	144	390322-1	
REMARKS	POWER SUPPLY	POS	PART NUMBER	

DIMENSIONS:		TOLERANCES UNLESS OTHERWISE SPECIFIED:		DRAWN: J. BURWELL 8NOV99		CHK: K. KREIDLER 22JUL99		DESIGNED BY: SE LEONG		NAME: S.O.DIMM SOCKET ASSY., 0.8mm PITCH	
mm	0 PLC ±	1 PLC ±0.2	2 PLC ±0.2	3 PLC ±0.2	4 PLC ±	ANGLES ±	FINISH	PRODUCT SPEC: 108-1739-1	APPLICATION SPEC: 114-1114	SIZE: A1	CAGE CODE: 00779
MATERIAL	FINISH	WEIGHT	CUSTOMER DRAWING	DRAWING NO: C=390322	SCALE: 4:1	SHEET: 1 OF 2	REV: L1	TE Connectivity			

LOC	DIST	REVISIONS			
F	LTR	DESCRIPTION	DATE	OWN	APPR
-	-	SEE SHEET 1	-	-	-



NO COMPONENT AREA, LEVER MOVING AREA, ACCEPT CIRCUIT PATTERN



DIMENSIONS:		TOLERANCES UNLESS OTHERWISE SPECIFIED:		DRAWN		REVISED		DATE		BY		APP'D	
mm	0 PLCS	±		J. BURWELL	01FEB01								
	1 PLCS	±0.2		K. KREIDLER	23JUL99								
	2 PLCS	±0.2		S. LEONG									
	3 PLCS	±0.2											
	4 PLCS	±											
	ANGLES	±											
MATERIAL	FINISH												
				CAGE CODE		DRAWING NO		SCALE		SHEET		REV	
				114-1114		A1 00779		4:1		2 OF 2		L1	
				WEIGHT		CUSTOMER DRAWING							

单击下面可查看定价，库存，交付和生命周期等信息

[>>TE Connectivity\(泰科\)](#)