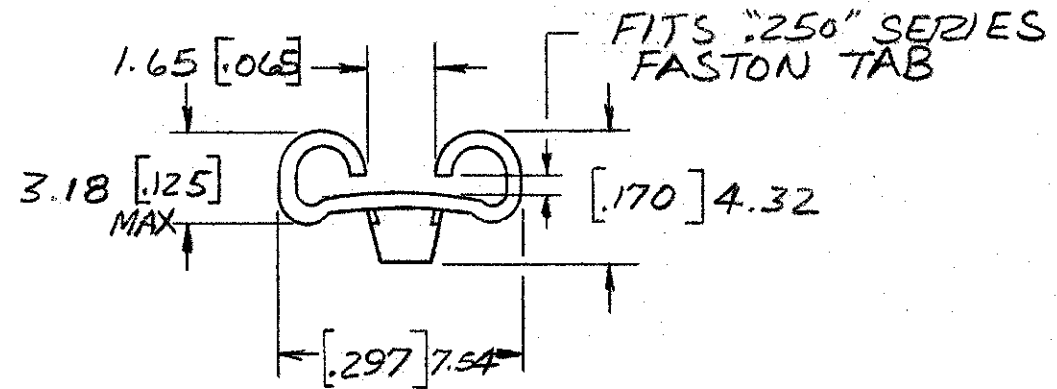
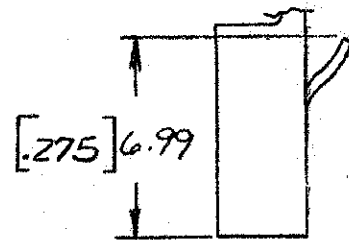
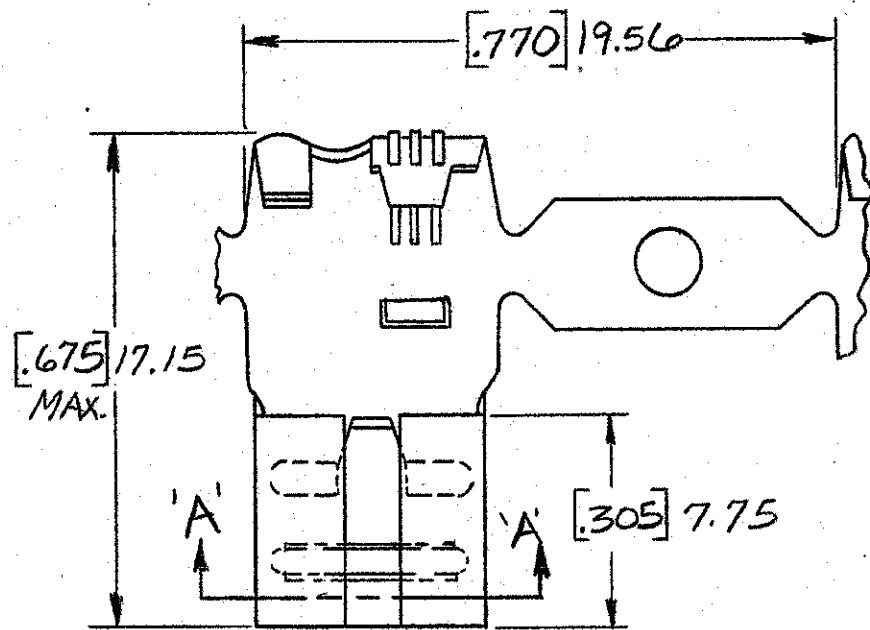


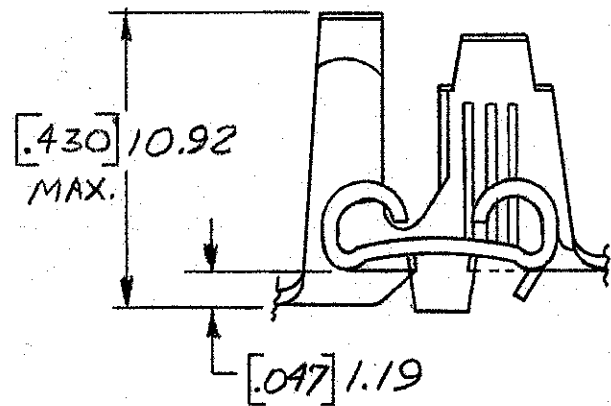
THIS DRAWING IS UNPUBLISHED. RELEASED FOR PUBLICATION, 19

© COPYRIGHT 19 BY AMP INCORPORATED, HARRISBURG, PA. ALL INTERNATIONAL RIGHTS RESERVED. AMP PRODUCTS MAY BE COVERED BY U.S. AND FOREIGN PATENTS AND/OR PATENTS PENDING.

REVISIONS						
P	F	ZONE	LTR	DESCRIPTION	DATE	APPROVED
✓	✓		N	REVISED PER ECR-13-005733	22AUG13	PD



SECTION A-A



1 - DIM'S. IN BRACKETS ARE IN INCHES
2 - CONTINUOUS STRIP ON REELS

	TIN	PHOS. BRZ.	[.110-.210] 2.79-5.33	[18-12] 0.8-3.0mm ²	[.032] 0.81	42284-5
OBSOLETE	NONE	PHOS. BRZ.	[.110-.210] 2.79-5.33	[18-12] 0.8-3.0mm ²	[.032] 0.81	42284-4
OBSOLETE	SILVER	BRASS	[.110-.210] 2.79-5.33	[18-12] 0.8-3.0mm ²	[.032] 0.81	42284-3
OBSOLETE	TIN	BRASS	[.110-.210] 2.79-5.33	[18-12] 0.8-3.0mm ²	[.032] 0.81	42284-2
OBSOLETE	NONE	BRASS	[.110-.210] 2.79-5.33	[18-12] 0.8-3.0mm ²	[.032] 0.81	42284-1

FINISH	MATL.	INSULATION RANGE	WIRE SIZE	TAB THK.	PART NO
UNLESS OTHERWISE SPECIFIED DIMENSIONS ARE IN INCHES. METRIC TOLERANCES ON: DECIMALS [±.015] 0.38 ANGLES [±] 0.38	[.016] 0.41				
FINISH SEE ABOVE					

CONTRACT NO	DR	CHK	APPD	APPD	DSGN APPD	OTHER APPD
	JR Pott 1-24-83	G. Yetter 1-25-83	J. K. ... 1/25/83	J. K. ... 1/16/83		
TE Connectivity			NAME .250 SERIES FLAG FASTIN-FASTON RECEPTACLE			
SIZE	FSCM NO	DRAWING NO	SCALE			
B	00779	42284	SHEET			

单击下面可查看定价，库存，交付和生命周期等信息

[>>TE Connectivity\(泰科\)](#)