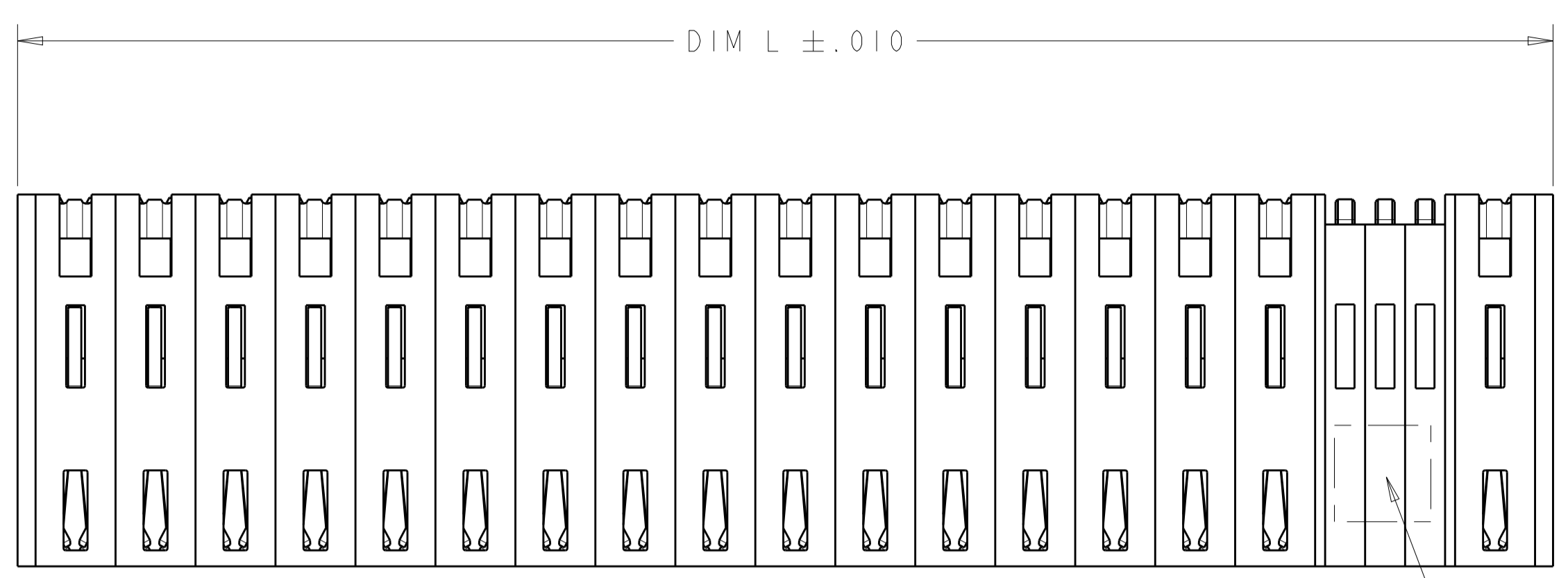
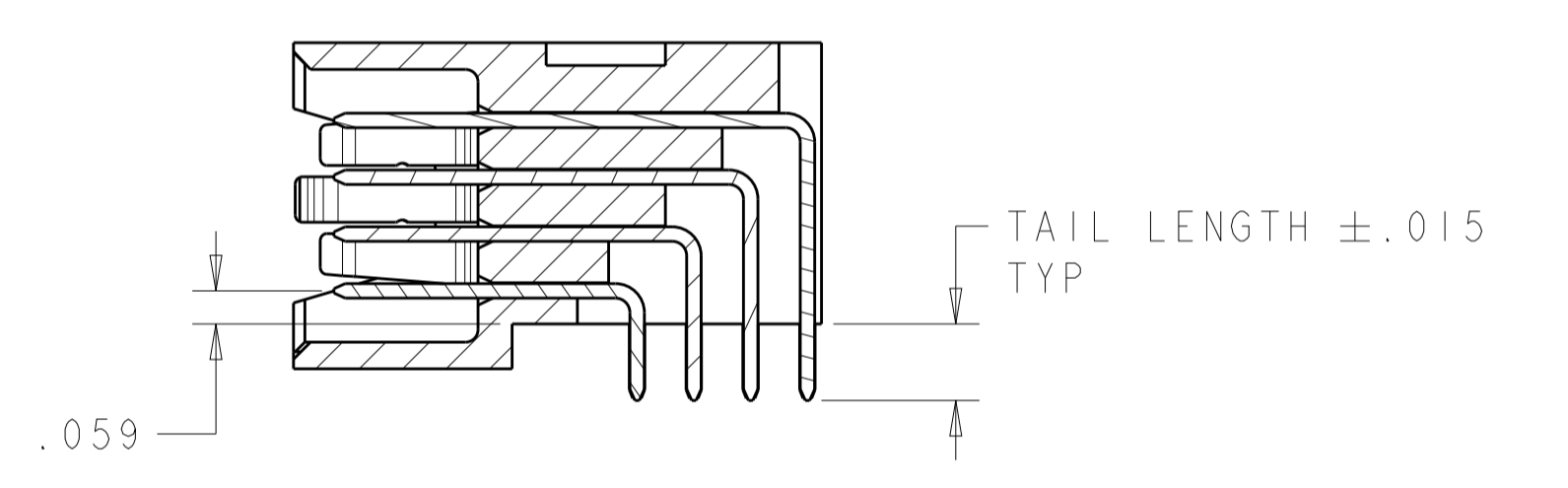
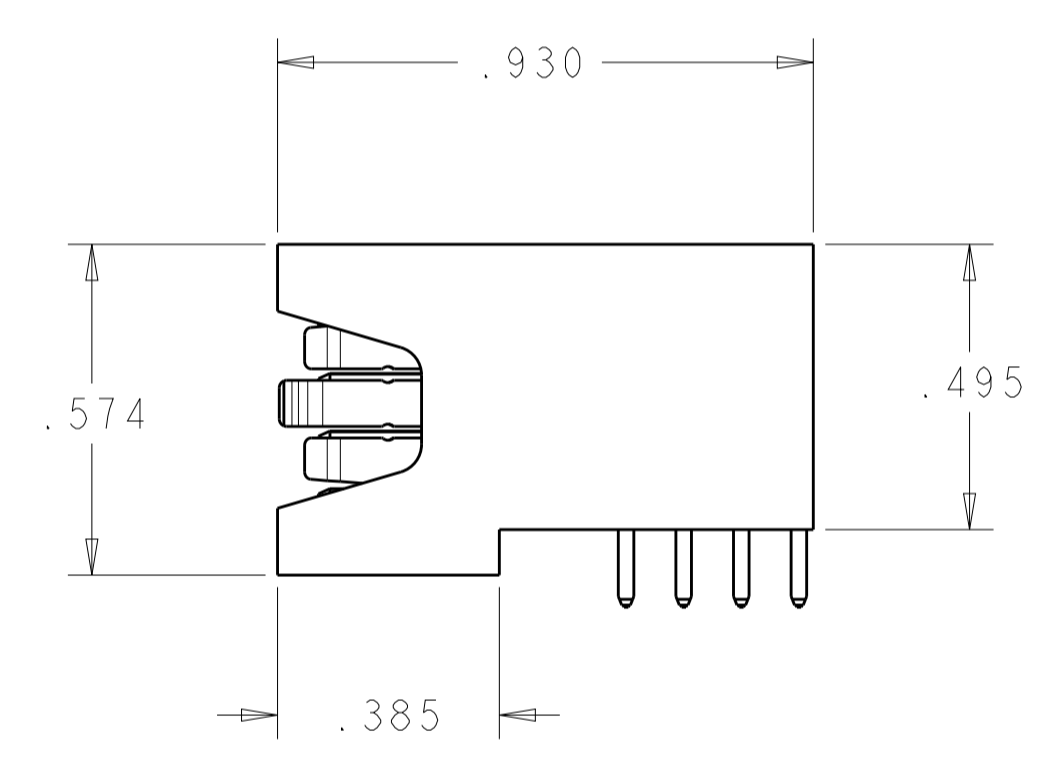
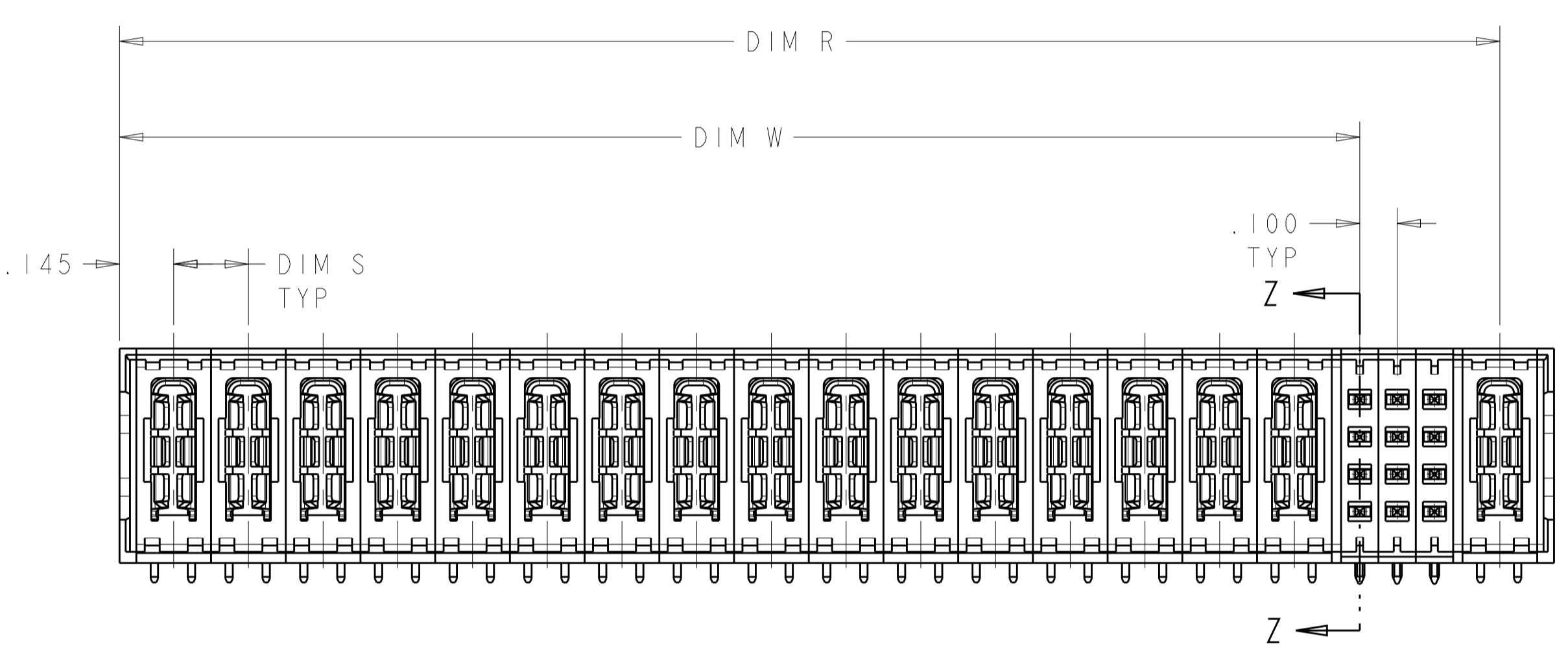


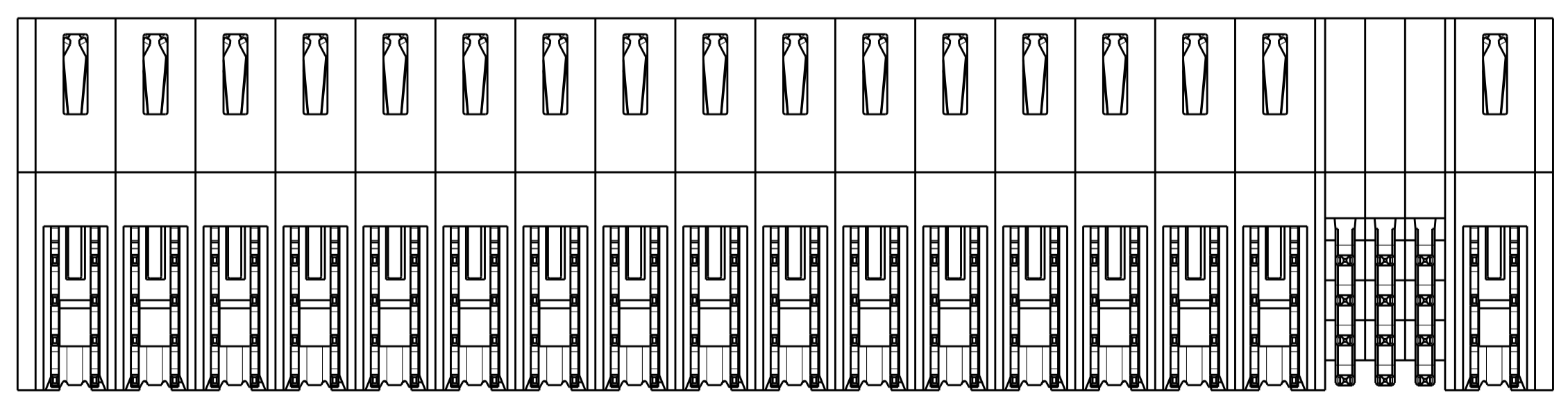
LOC	DIST	REVISIONS					
		P	LTN	DESCRIPTION	DATE	DWN	APVD
ES	00	A1		ADDED DASH NUMBER -6	2NOV2011	LW	SZ



- △ "AMP" PART NUMBER AND DATE CODE TO BE MARKED IN AREA SHOWN. PARTS 2.00 OR LESS MAYBE MARKED ON BOTH SIDES.
- △ MATERIAL: HOUSING - GLASS FILLED HIGH TEMP THERMO PLASTIC, UL94 V-0
POWER CONTACT - HIGH CONDUCTIVITY COPPER ALLOY
- △ CONTACT PLATING: NOBLE METAL PLATING ON CONTACT FUNCTIONAL AREA OF POWER AND SIGNAL CONTACTS
- △ MECHANICAL CONNECTOR KEEP OUT ZONE
- △ DATUM AND BASIC DIMENSIONS ESTABLISHED BY CUSTOMER
- △ PCB - ALL HOLE DIMENSIONS ARE FINISHED HOLE SIZES
- △ PCB - .0453±.0010 DRILLED HOLES. PLATED WITH .0003 MIN Sn OVER .001 TO .003 Cu PLATING TO ACHIEVE A .040 DIA. HOLE
- △ PLEASE REFER TO PARTS VIEW FOR DETAIL DIMENTIONS.



SECTION Z-Z



DIM S	DIM R	DIM W	DIM K	DIM L	DESCRIPTION	PART NUMBER
-	-	-	-	-	2ACP+8S+4ACP+16S+2ACP+12S+2ACP	6450839-6
-	-	-	-	-	12P	6450839-4
-	-	-	-	-	44S+14P+40S	6450839-3
-	-	-	-	-	4S+17HDP+8S	6450839-2
-	-	-	-	-	8S+27P+8S	6450839-1

THIS DRAWING IS A CONTROLLED DOCUMENT.

DIMENSIONS: INCHES

TOLERANCES UNLESS OTHERWISE SPECIFIED:

0 PLC	±
1 PLC	±.01
2 PLC	±.005
3 PLC	±.0020
4 PLC	±.0020
ANGLES	±.0020

MATERIAL: 2

FINISH: 3

DATE: 15OCT2008

CHK: S. ZHAO

APVD: S. YAO

NAME: R/A HEADER ASSEMBLY GUIDELESS MULTI-BEAM XLE

SIZE: A1

SCALE: 4:1

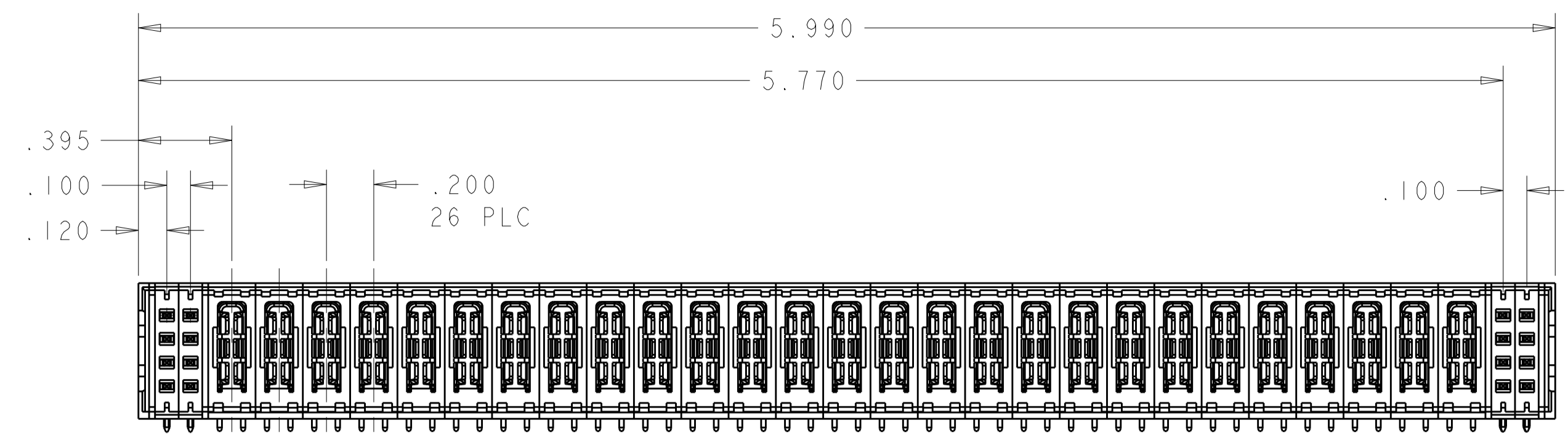
SHEET: 1 OF 5

REV: A2

CAGE CODE: 6450839

RESTRICTED TO: CUSTOMER DRAWING

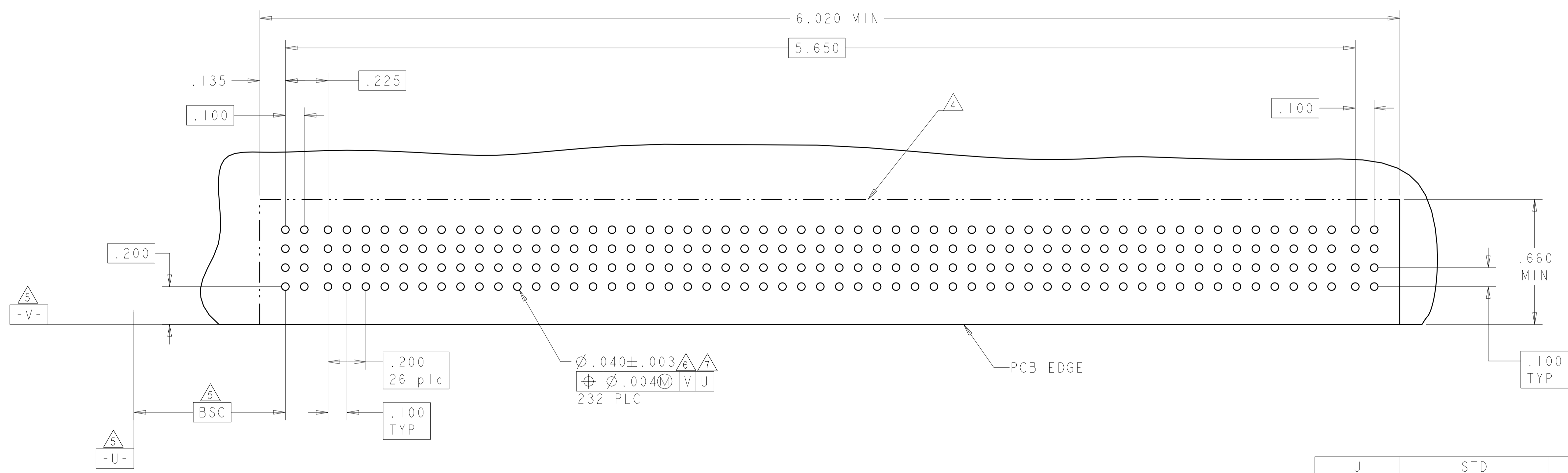
LOC	DIST	REVISIONS			
		REV	DATE	BY	APPV
ES	00	-	-	-	-
		SEE SHEET 1			



PART NUMBER: 6450839-1

PART NUMBER	ROWS	SIGNAL		POWER																								SIGNAL				
		1	2	P1	P2	P3	P4	P5	P6	P7	P8	P9	P10	P11	P12	P13	P14	P15	P16	P17	P18	P19	P20	P21	P22	P23	P24	P25	P26	P27	3	4
6450839-1	D	J	J																												J	J
	C	K	K	TM	TM	TM	TM	TM	TM	TM	TM	TM	TM	TM	TM	TM	TM	TM	TM	TM	TM	TM	TM	TM	TM	TM	TM	TM	TM	TM	K	K
	B	N	N																												N	N
	A	S	S																												S	S

8S + 27P + 8S



CODE	MATING SEQUENCE	TAIL LENGTH	ROW
J	STD	.135"	D
K	STD	.135"	C
N	STD	.135"	B
S	STD	.135"	A

SIGNAL CONTACT

TM	STD .135 TAIL LENGTH, SOLDER TAIL
CODE	TAIL LENGTH
	POWER CONTACT

THIS DRAWING IS A CONTROLLED DOCUMENT.

DIMENSIONS: INCHES

TOLERANCES UNLESS OTHERWISE SPECIFIED:

0 PLC	±
1 PLC	±.01
2 PLC	±.01
3 PLC	±.005
4 PLC	±.0020
ANGLES	±.020

MATERIAL: -

FINISH: -

DATE: 15OCT2008

CHK: S. ZHAO

APVD: S. YAO

PRODUCT SPEC: 108-2292

APPLICATION SPEC: 114-13038

WEIGHT: -

CUSTOMER DRAWING

SCALE: 4:1

SHEET: 2 OF 5

REV: A2

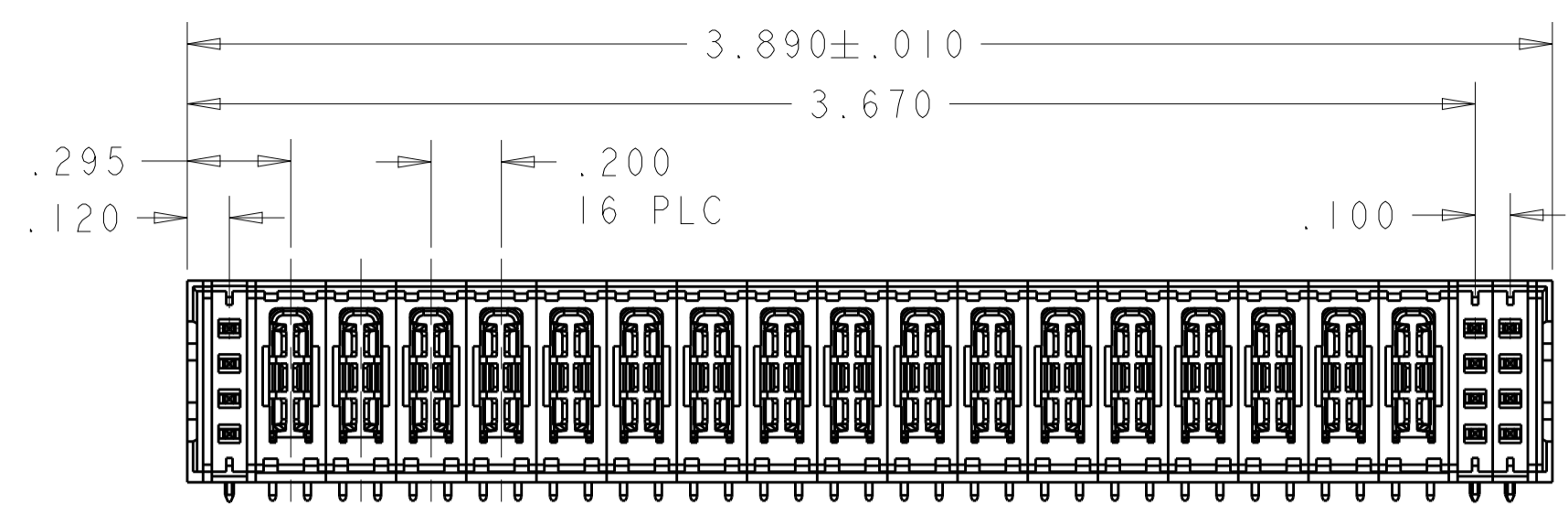
TE Connectivity

R/A HEADER ASSEMBLY GUIDELESS MULTI-BEAM XLE

SIZE: A1

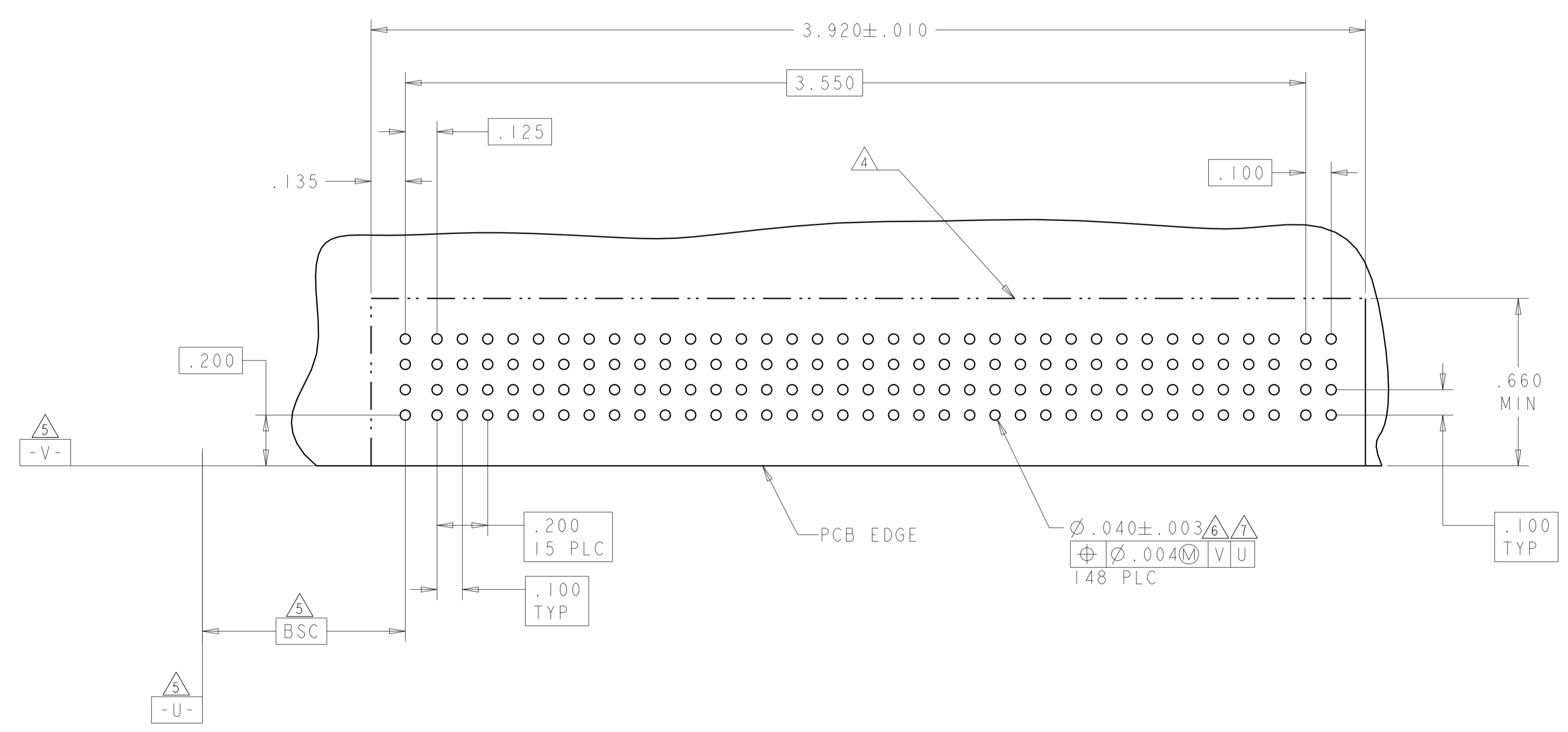
DRAWING NO: 6450839

LOC		DIST		REVISIONS				
ES	00	P	LTN	DESCRIPTION	DATE	DWN	APVD	
		-		SEE SHEET 1				



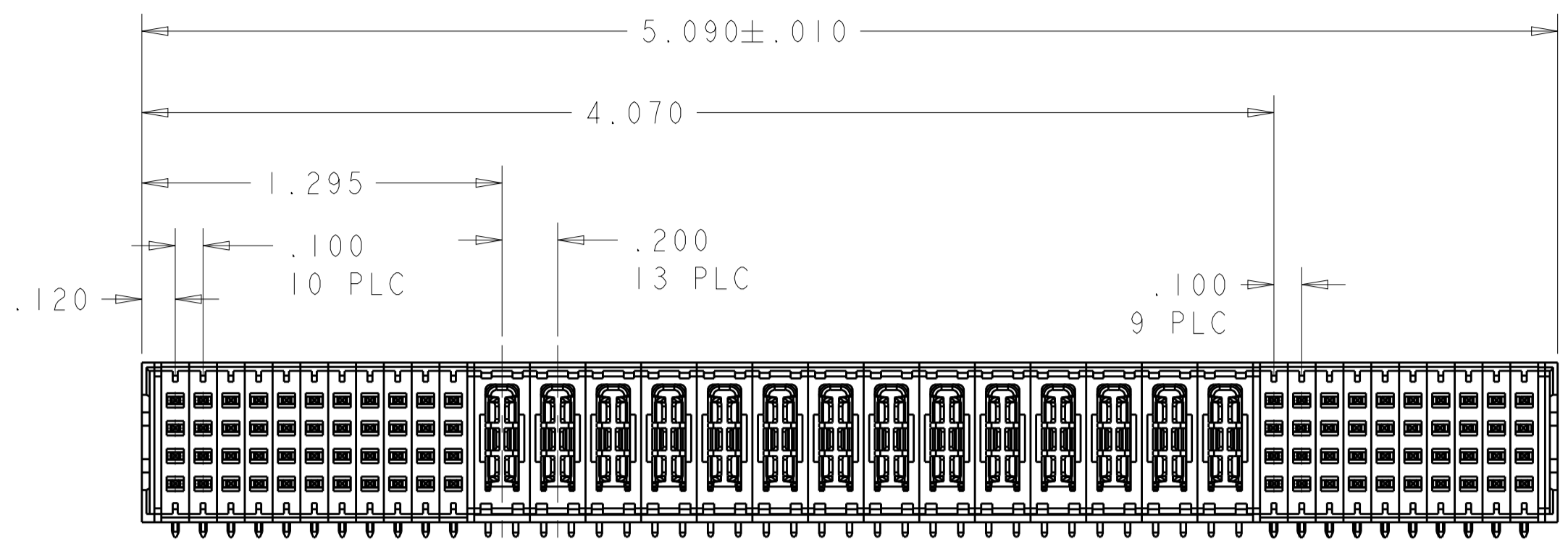
PART NUMBER: 6450839-2

PART NUMBER	ROWS	S	POWER															SIGNAL					
			I	P1	P2	P3	P4	P5	P6	P7	P8	P9	P10	P11	P12	P13	P14	P15	P16	P17	2	3	
6450839-2	D	J																			J	J	
	C	K																				K	K
	B	N	TM	TM	TM	TM	TM	TM	TM	TM	TM	TM	TM	TM	TM	TM	TM	TM	TM	TM	N	N	
	A	S																			S	S	
4S + 17HDP + 8S																							



THIS DRAWING IS A CONTROLLED DOCUMENT.		DWN	T. YU	15OCT2008	 TE Connectivity
DIMENSIONS: INCHES		CHK	S. ZHAO	15OCT2008	
TOLERANCES UNLESS OTHERWISE SPECIFIED:		APVD	S. YAO		NAME
0 PLC ±. 1 PLC ±. 2 PLC ±.01 3 PLC ±.005 4 PLC ±.0020 ANGLES ±.7°		PRODUCT SPEC	R/A HEADER ASSEMBLY GUIDELESS MULTI-BEAM XLE		RESTRICTED TO
MATERIAL		APPLICATION SPEC	108-2292		SIZE
FINISH		APPLICATION SPEC	114-13038		CAGE CODE
		WEIGHT	-		DRAWING NO
		CUSTOMER DRAWING	-		SCALE
		SCALE	4:1		SHEET
		SCALE	4:1		OF
		SCALE	4:1		5
		SCALE	4:1		REV
		SCALE	4:1		A2

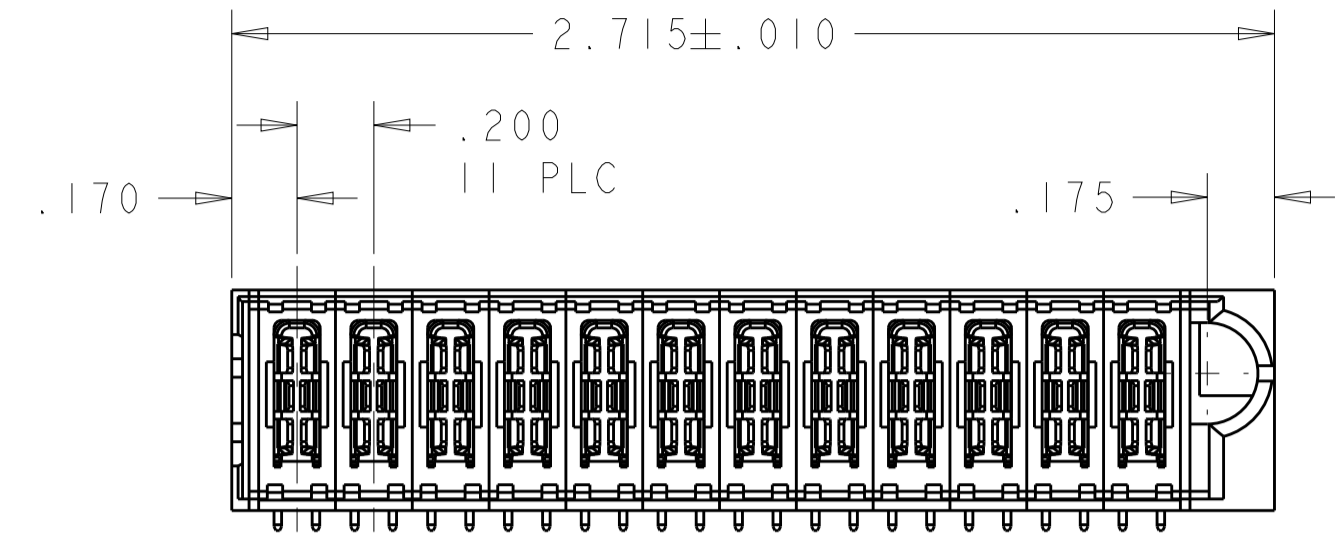
LOC	DIST	REVISONS			
ES	00	P	LTH	DESCRIPTION	DATE
		-		SEE SHEET 1	



PART NUMBER: 6450839-3

ASSY PART NUMBER	ROWS	SIGNAL										POWER												SIGNAL													
		1	2	3	4	5	6	7	8	9	10	P1	P2	P3	P4	P5	P6	P7	P8	P9	P10	P11	P12	P13	P14	1	2	3	4	5	6	7	8	9	10		
6450839-3	D C B A	J	J	J	J	J	J	J	J	J	J	T	T	T	T	T	T	T	T	T	T	T	T	T	T	T	K	K	K	K	K	K	K	K	K	K	K
		N	N	N	N	N	N	N	N	N	N	N	N	N	N	N	N	N	N	N	N	N	N	N	N	N	N	N	N	N	N	N	N	N	N	N	N
		S	S	S	S	S	S	S	S	S	S	S	S	S	S	S	S	S	S	S	S	S	S	S	S	S	S	S	S	S	S	S	S	S	S	S	S

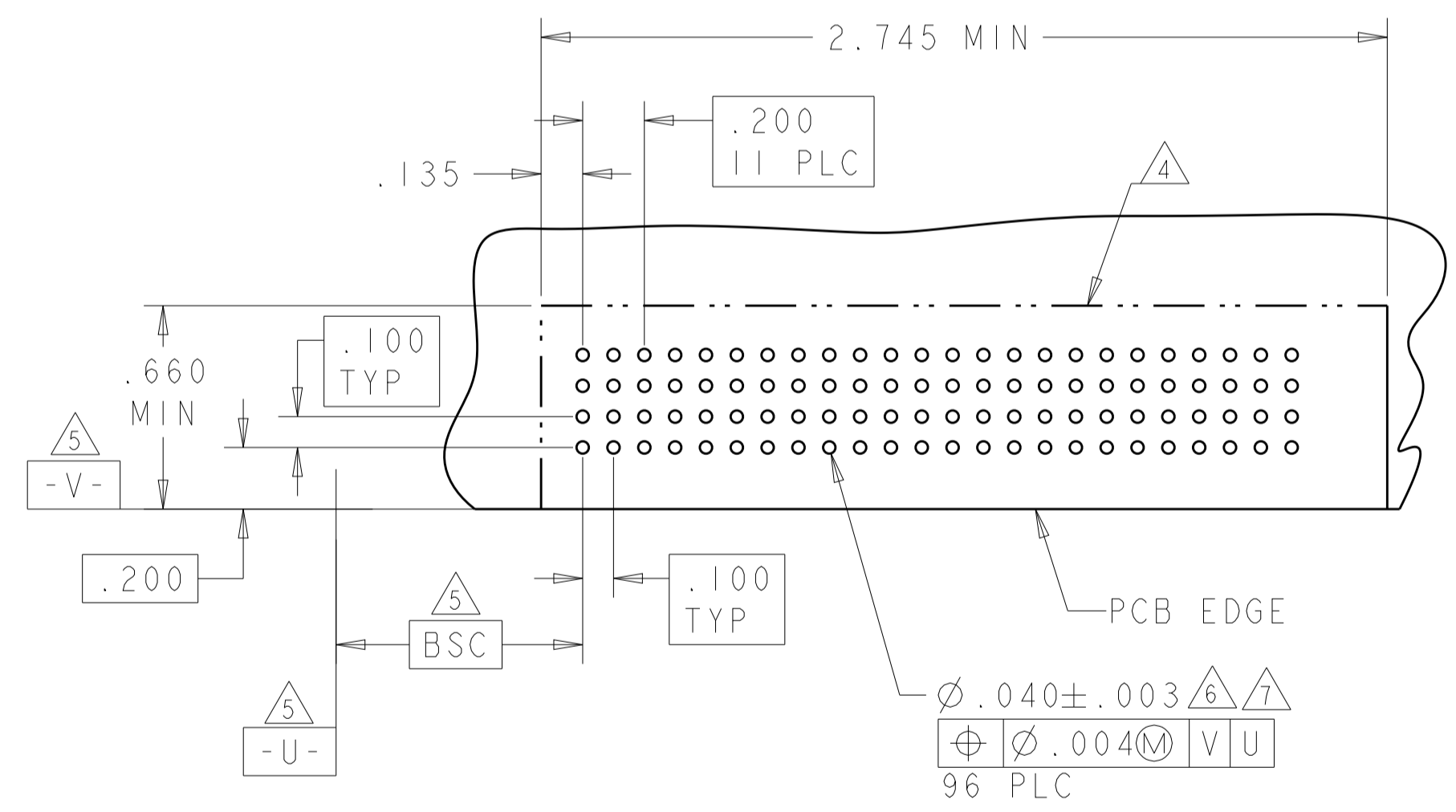
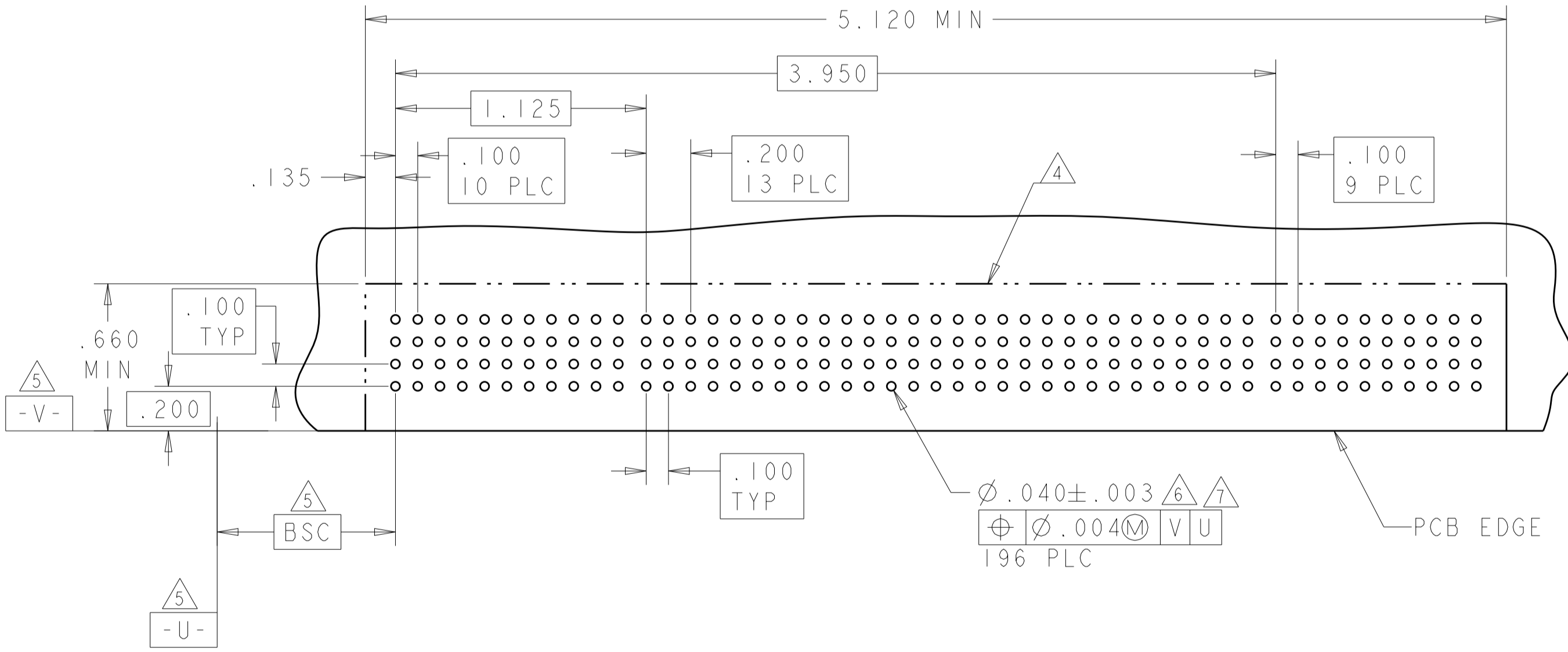
44S + 14P + 40S



PART NUMBER: 6450839-4

ASSY PART NUMBER	POWER											
	P1	P2	P3	P4	P5	P6	P7	P8	P9	P10	P11	P12
6450839-4	T	M	T	M	T	M	T	M	T	M	T	M

12P



THIS DRAWING IS A CONTROLLED DOCUMENT. DWG: T. YU 15OCT2008

CHECKED: S. ZHAO 15OCT2008

DIMENSIONS: INCHES. TOLERANCES UNLESS OTHERWISE SPECIFIED: 0 PLC ±.01, 1 PLC ±.01, 2 PLC ±.01, 3 PLC ±.01, 4 PLC ±.01, ANGLES ±.0020.

MATERIAL: FINISH:

CUSTOMER DRAWING

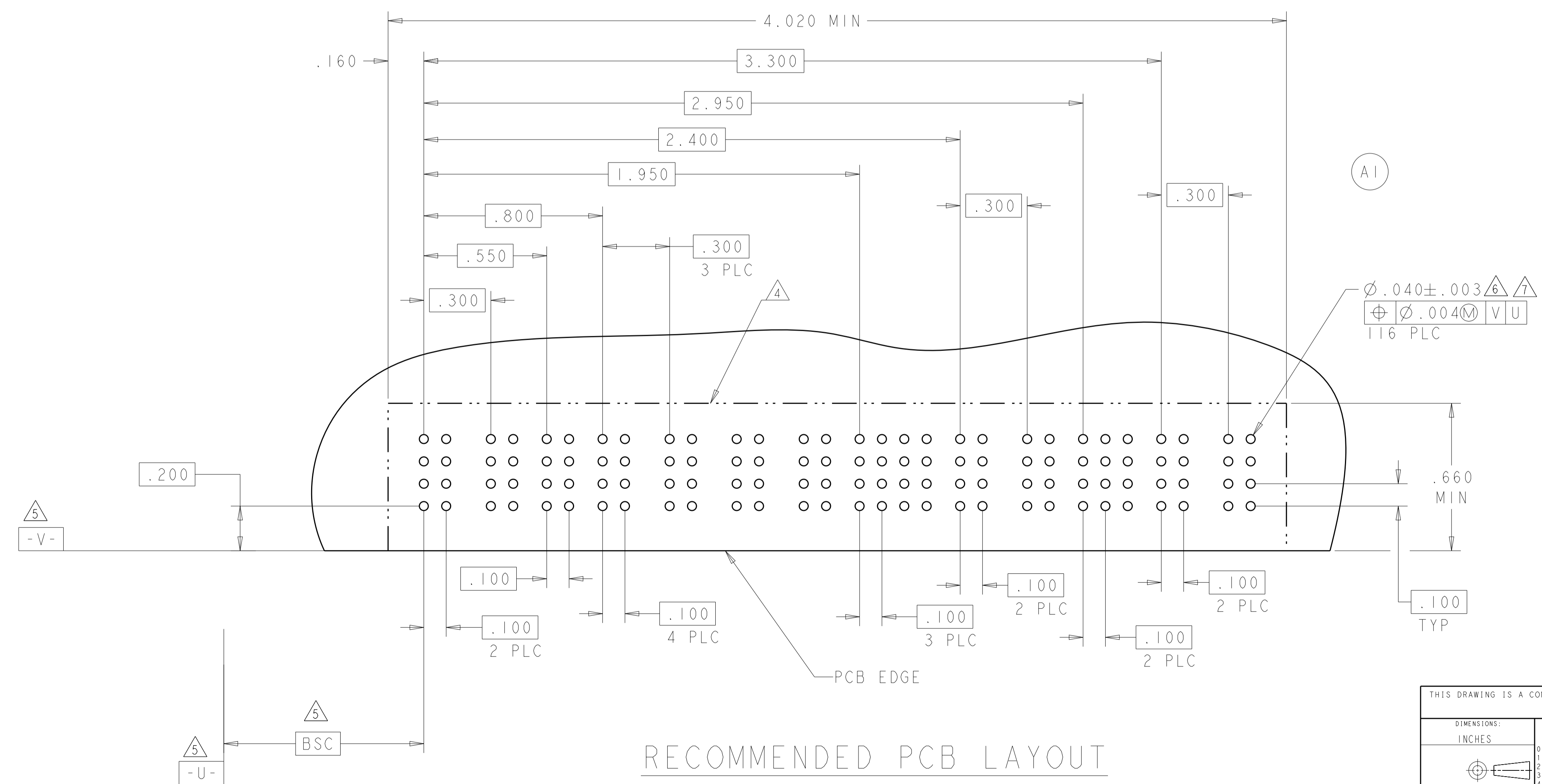
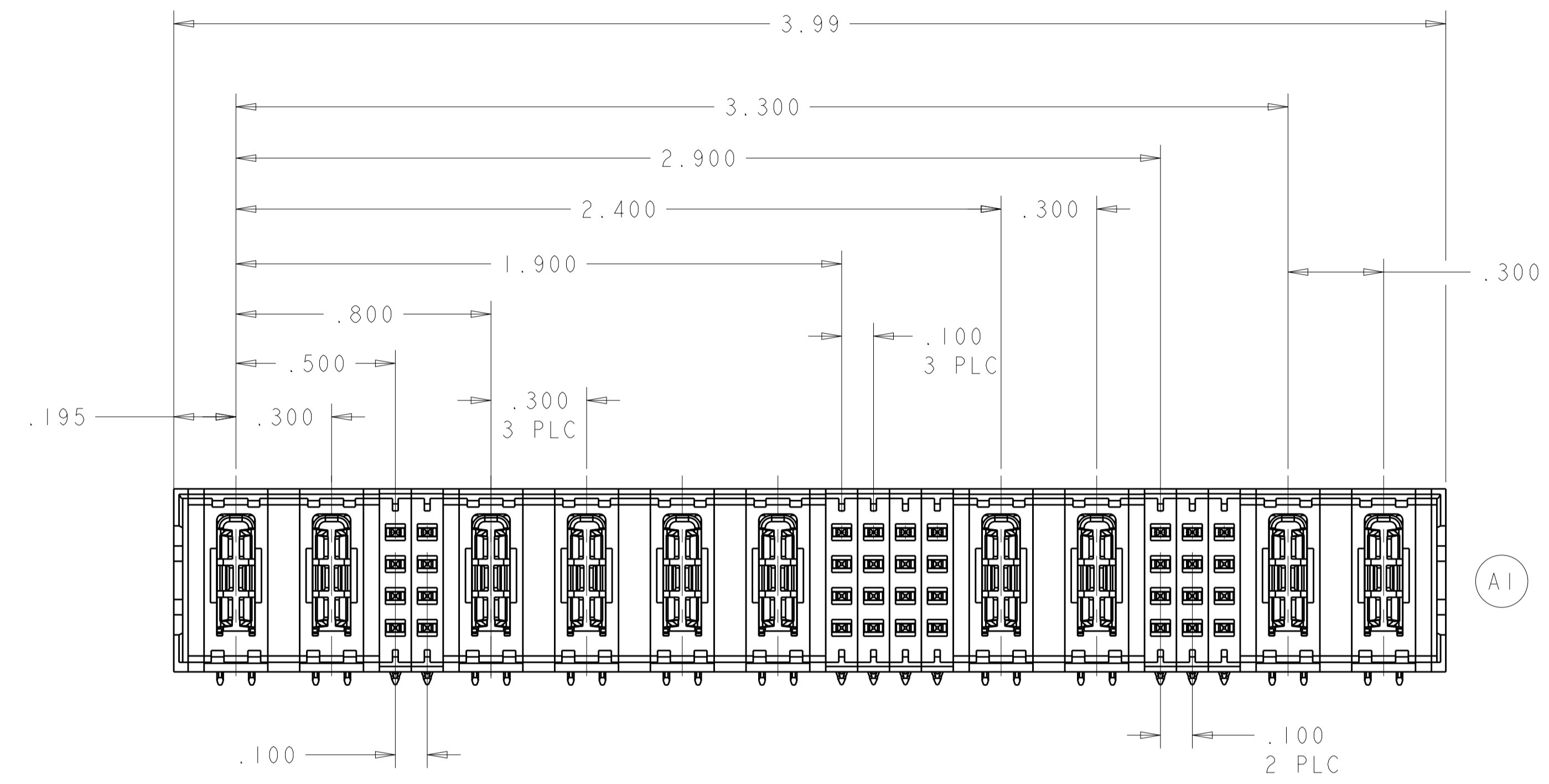
NAME	R/A HEADER ASSEMBLY GUIDELESS MULTI-BEAM XLE	RESTRICTED TO	
PRODUCT SPEC	108-2292	SIZE	A1
APPLICATION SPEC	114-13038	SCALE	4:1
WEIGHT		SHEET	4 OF 5
		REV	A2

TE Connectivity

LOC	DIST	REVISIONS			
P	LTN	DESCRIPTION	DATE	DWN	APVD
ES	00	SEE SHEET 1			

PART NUMBER	ROWS	POWER		SIGNAL				POWER				SIGNAL				POWER				
		P1	P2	1	2	P3	P4	P5	P6	3	4	5	6	P7	P8	7	8	9	P9	P10
6450839-6	D C B A	TM	TM	J	J	TM	TM	TM	TM	J	J	J	J	TM	TM	J	J	J	TM	TM
				K	K					K	K	K	K			K	K			
				N	N					N	N	N	N			N	N			
				S	S					S	S	S	S			S	S			

2ACP+8S+4ACP+16S+2ACP+12S+2ACP



RECOMMENDED PCB LAYOUT

THIS DRAWING IS A CONTROLLED DOCUMENT.		DWN T. YU 15OCT2008	TE Connectivity
DIMENSIONS: INCHES		CHK S. ZHAO 15OCT2008	
		APVD S. YAO	NAME R/A HEADER ASSEMBLY GUIDLESS MULTI-BEAM XLE
MATERIAL		PRODUCT SPEC 108-2292	SIZE A1
FINISH		APPLICATION SPEC 114-13038	CAGE CODE C-6450839
		WEIGHT	RESTRICTED TO
		CUSTOMER DRAWING	SCALE 4:1 SHEET 5 OF 5 REV A2

单击下面可查看定价，库存，交付和生命周期等信息

[>>TE Connectivity\(泰科\)](#)