

THIS DRAWING IS UNPUBLISHED.

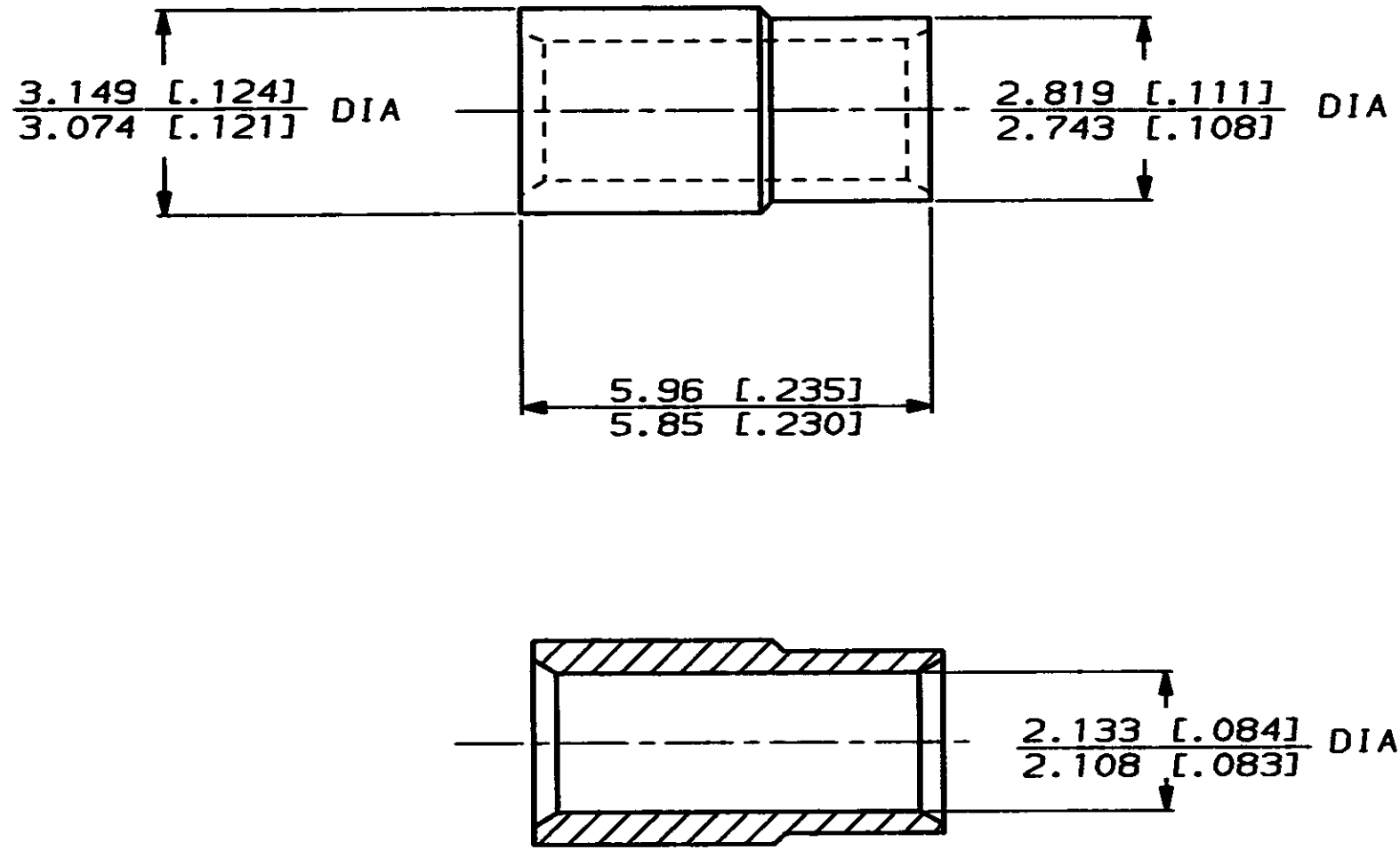
RELEASED FOR PUBLICATION

, 19

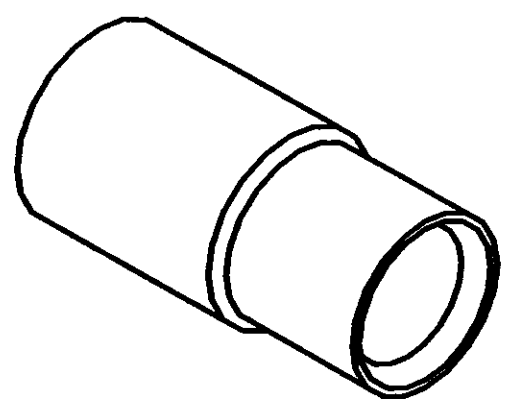
© COPYRIGHT 19

BY AMP INCORPORATED. ALL INTERNATIONAL RIGHTS RESERVED.

LOC	DIST	P	F	ZONE	LTR	REVISIONS	DATE	APPD
CE	16				B	REV PER CE-1490	10-14-88	ES



1. DIMENSIONS IN [] ARE IN INCHES



METRIC

DO NOT SCALE PRINT. UNLESS SPECIFIED DIMENSIONS IN mm TOLERANCES ON: 2 PLC DEC ± - 3 PLC DEC ± - ANGLES ± -		DR J ZIEDERS 1/20/88	501047-1	
MATERIAL ACETAL, DELRIN		CHK J GERACE 1/21/88	PART NO	
FINISH -		APPD B EDWARDS 2/4/88	AMP INCORPORATED Harrisburg, Pa. 17105	
WEIGHT -		APPD K MONROE 1/22/88	ALIGNMENT SLEEVE, FULL, FSMA-II, OPTIMATE	
		PRODUCT SPEC -	SIZE B	DRAWING NO 501047
		APPLICATION SPEC -	FSCN NO 00779	SHEET 1 OF 1
			SCALE NTS	

CUSTOMER DRAWING

单击下面可查看定价，库存，交付和生命周期等信息

[>>TE Connectivity\(泰科\)](#)