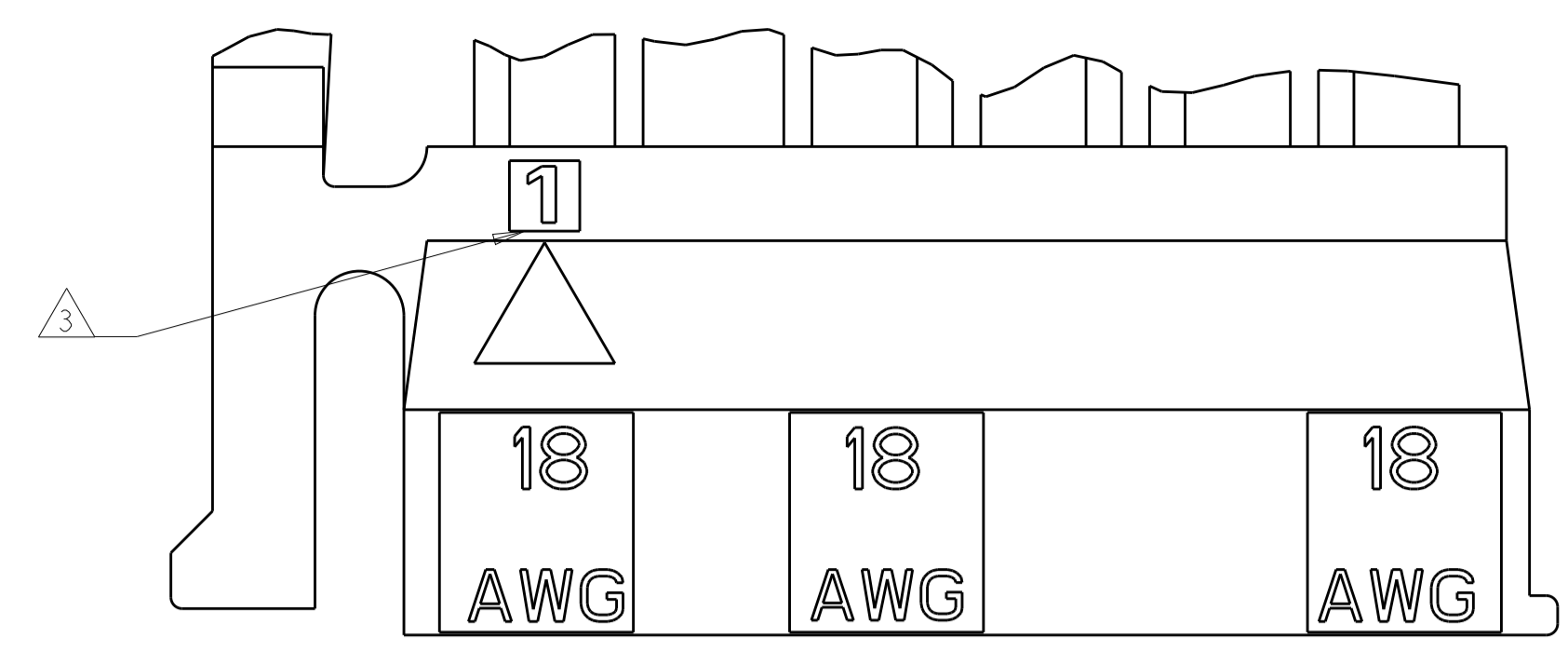
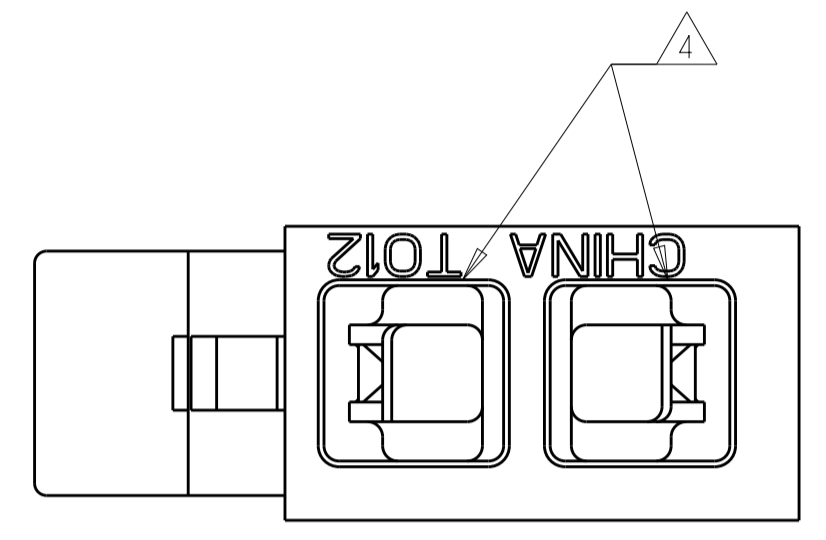


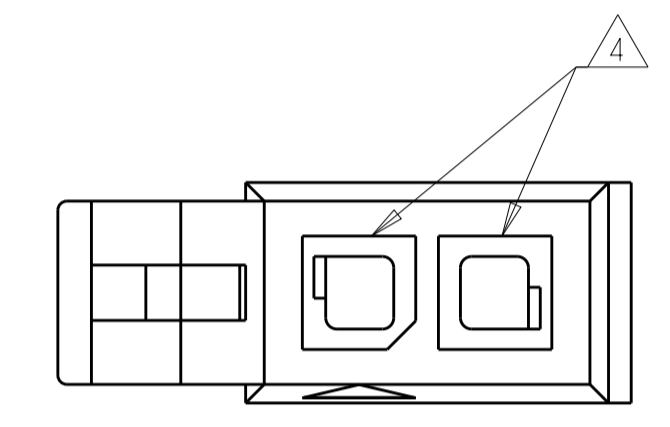
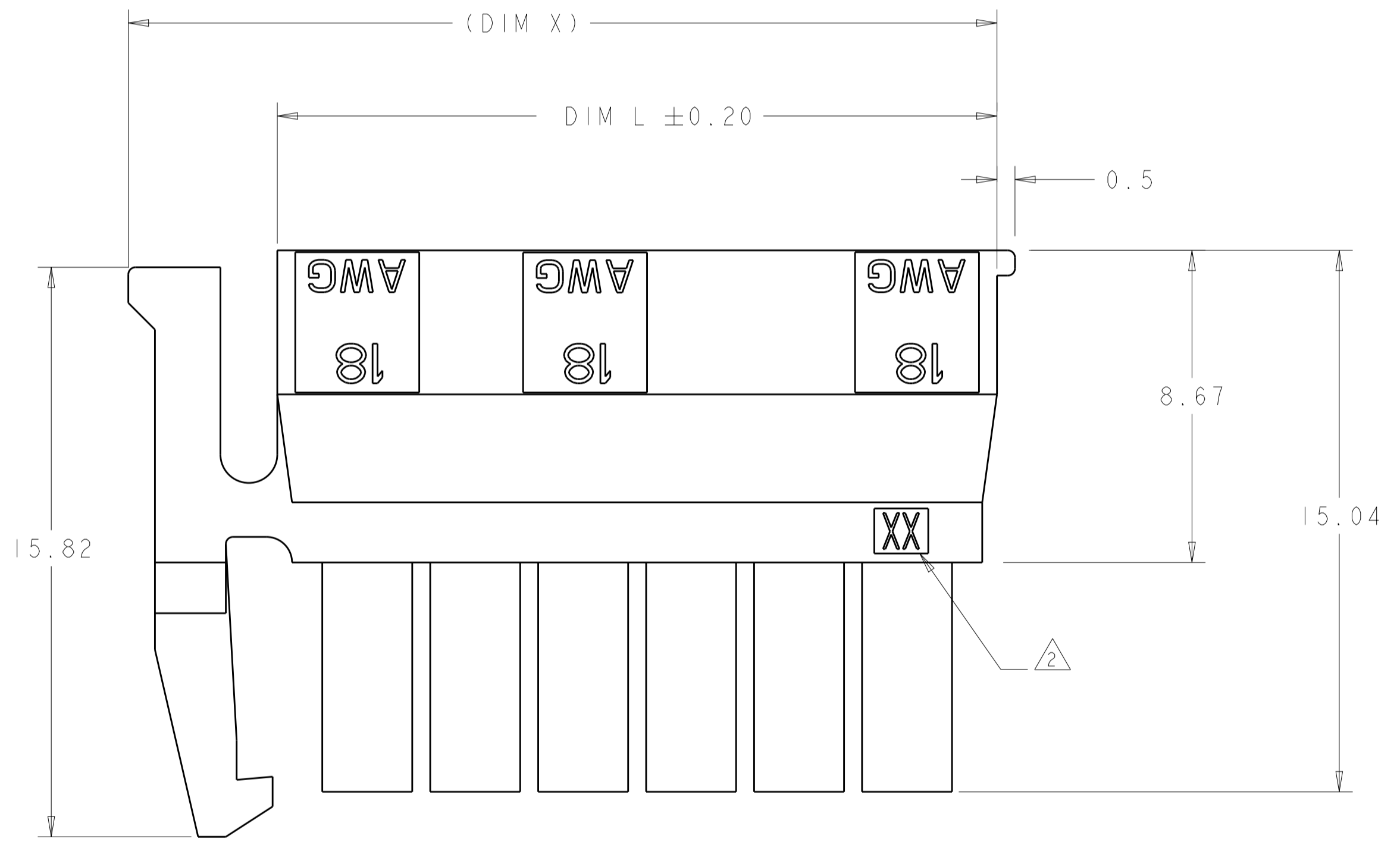
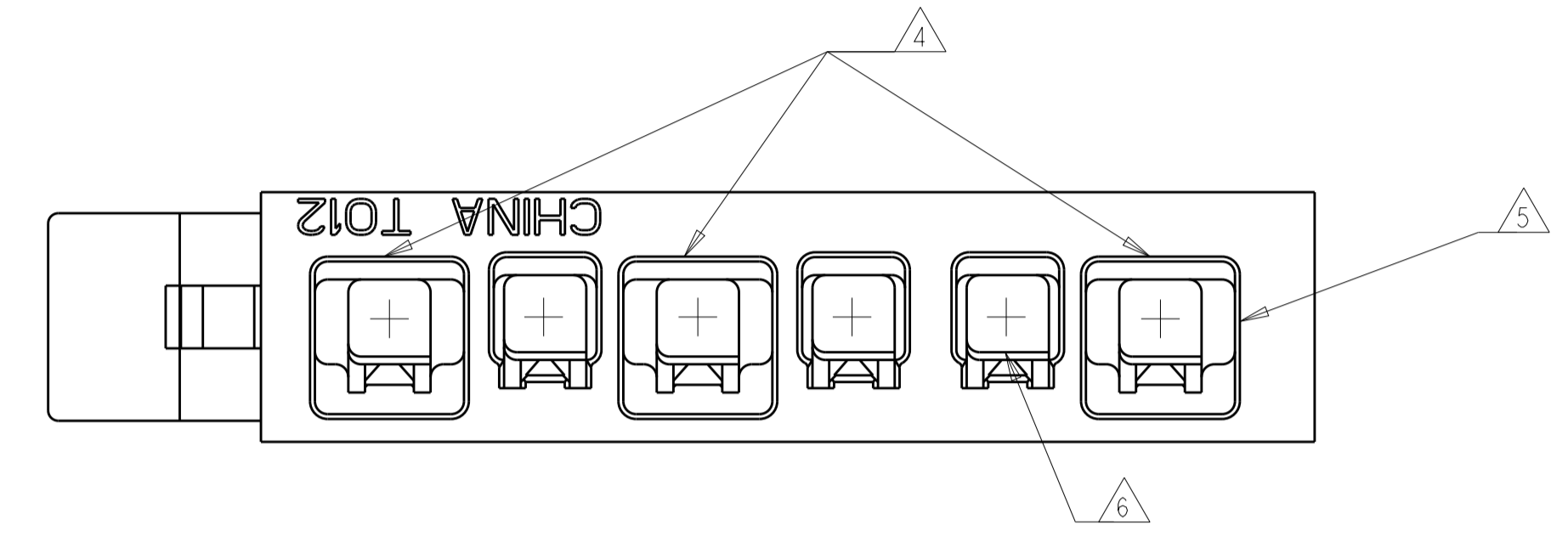
REVISONS		DATE	BY	APP'D
CM	0			
B2	REVISED PER ECR 12-001158	19JAN12	JR	TM
B3	ECO-19-004882	12APR19	AP	WS



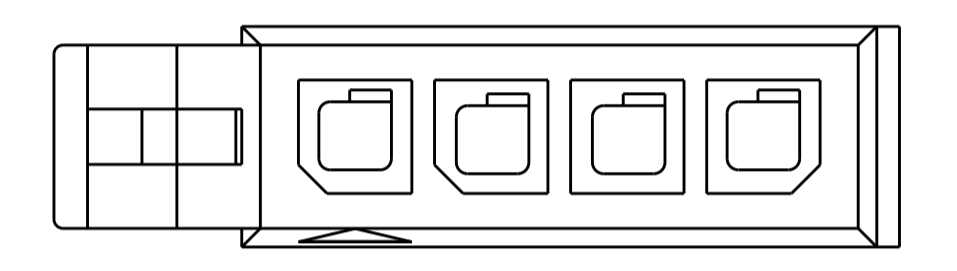
- 1 MATERIAL: NYLON, UL94V-0 COLOR- (SEE TABLE).
- 2 LAST CIRCUIT IDENTIFIER LOCATED IN APPROX AREA SHOWN.
- 3 CIRCUIT 1 ID LOCATED IN APPROX AREA SHOWN.
- 4 THE TWO END CAVITIES ARE ENLARGED TO ALLOW INSERTION OF 18 AWG RECEPTACLE CONTACT. FOR 2 CIRCUIT HOUSINGS THESE CAVITIES WILL BE ROTATED 90° FROM SHOWN POSITION AND 180° WITH RESPECT TO EACH OTHER. FOR 5 AND 6 CIRCUIT HOUSINGS CIRCUIT 3 IS ALSO ENLARGED TO ALLOW INSERTION OF 18 AWG RECEPTACLE CONTACT.
- 5 FOR WIRE INSULATION 2.80 MAX OD.
- 6 FOR WIRE INSULATION 1.90 MAX OD.



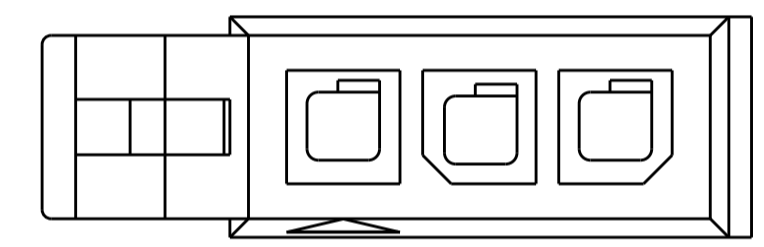
2 CIRCUIT WIRE END VIEW



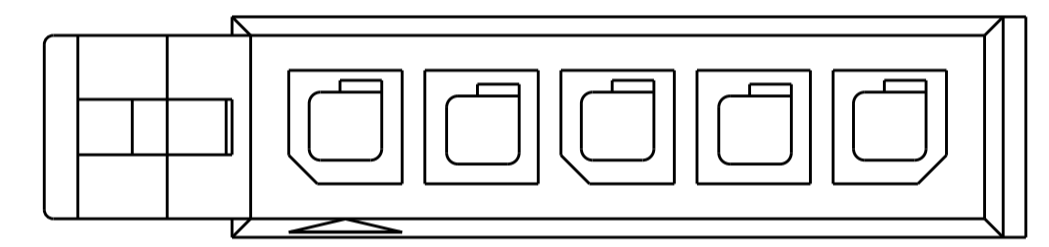
2 CIRCUIT



4 CIRCUIT

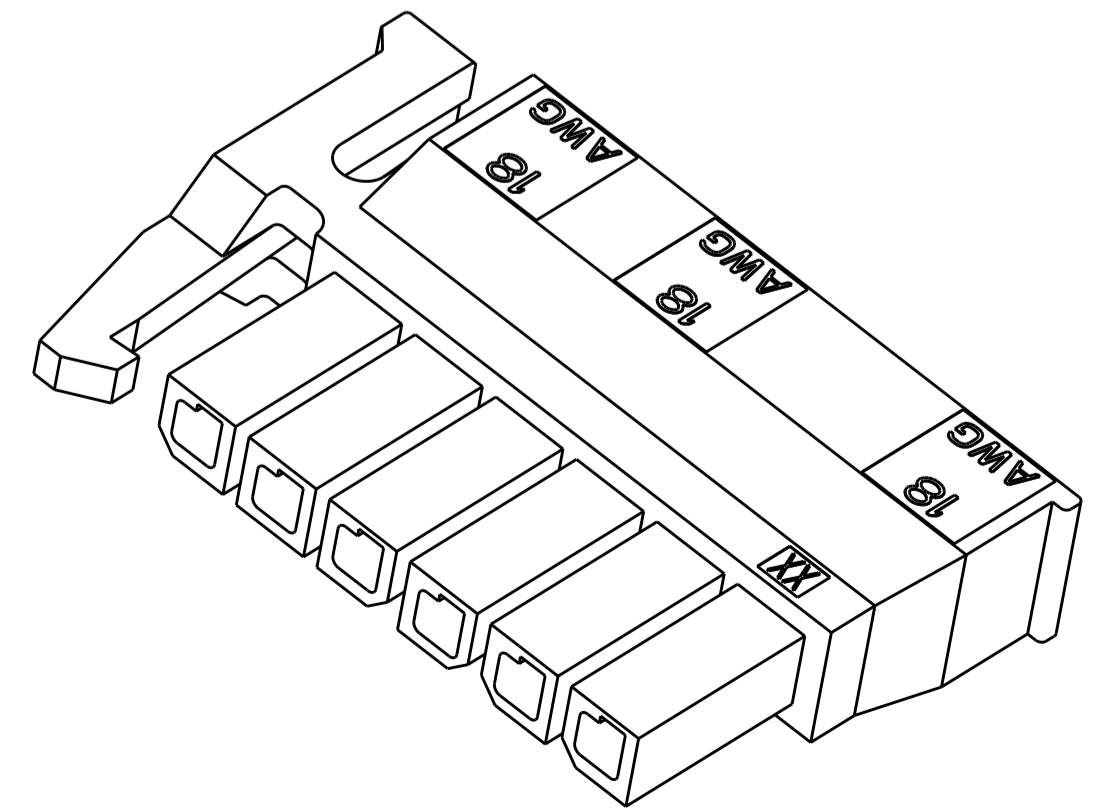
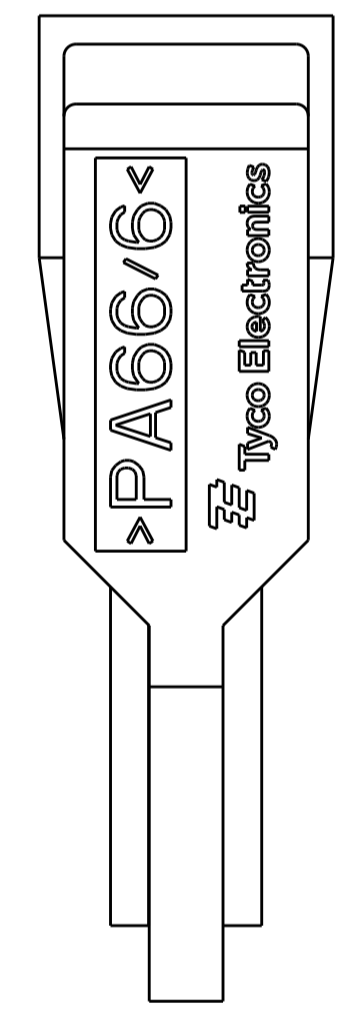


3 CIRCUIT

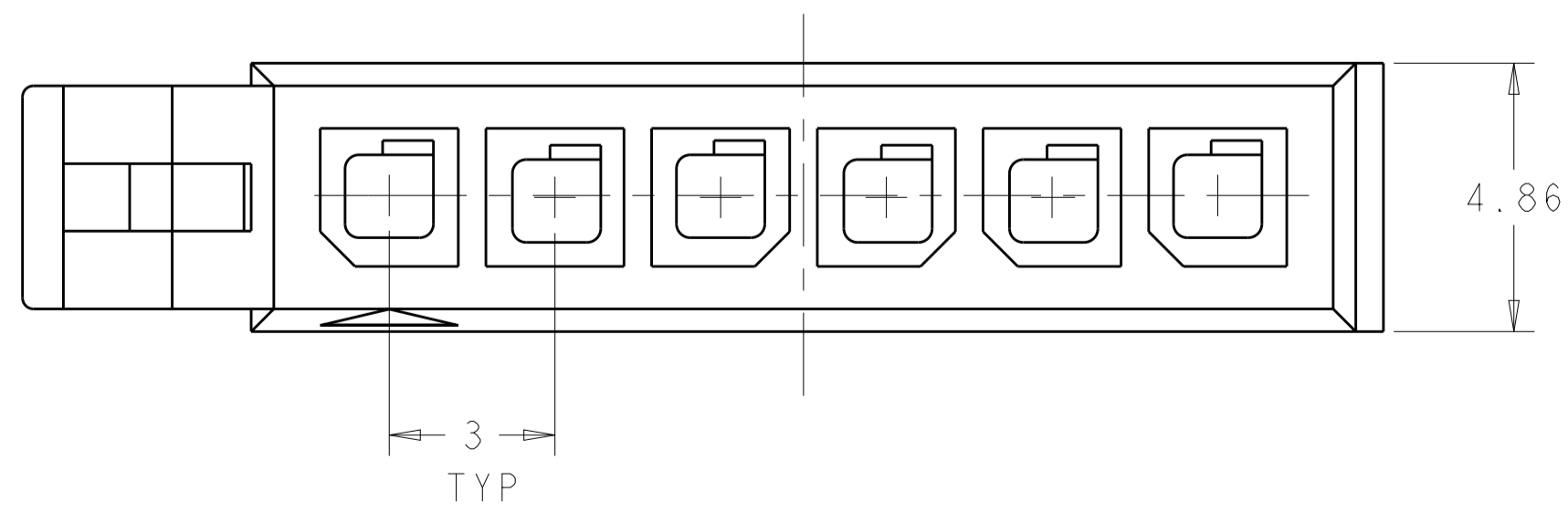


5 CIRCUIT

KEYING CONFIGURATIONS
SCALE 6:1



SCALE 5:1



VOLUME mm ³	DIM X	DIM L	NO. OF POS.	COLOR	PART NUMBER
688.4	24.14	20.00	6	NATURAL	I-2008570-6
596.54	21.14	17.00	5	NATURAL	I-2008570-5
502.15	18.14	14.00	4	NATURAL	I-2008570-4
433.37	15.14	11.00	3	NATURAL	I-2008570-3
315.18	12.14	8.00	2	NATURAL	I-2008570-2
688.4	24.14	20.00	6	BLACK	2008570-6
596.54	21.14	17.00	5	BLACK	2008570-5
502.15	18.14	14.00	4	BLACK	2008570-4
433.37	15.14	11.00	3	BLACK	2008570-3
315.18	12.14	8.00	2	BLACK	2008570-2

DIMENSIONS: mm 0 PLC ±0.5 1 PLC ±0.13 3 PLC ±0.13 4 PLC ±0.13 ANGLES ±°		TOLERANCES UNLESS OTHERWISE SPECIFIED: DIMENSIONS: mm 0 PLC ±0.5 1 PLC ±0.13 3 PLC ±0.13 4 PLC ±0.13 ANGLES ±°		DWN R BROWN 18MAR2008 CHK M MCCARTHY 18MAR2008 APVD M MCCARTHY 18MAR2008 PRODUCT SPEC 108-1836 APPLICATION SPEC 114-13000 WEIGHT CUSTOMER DRAWING		Tyco Electronics Harrisburg, PA 17105-3608 NAME RECEPTACLE HOUSING, 2 TO 6 POSN, SINGLE ROW, MICRO MATE-N-LOK(TM), SIDE LATCH, 18 AWG SIZE CAGE CODE DRAWING NO A100779C=2008570 RESTRICTED TO	
METRIC				SCALE 8:1 SHEET 1 OF 1 REV B3			

单击下面可查看定价，库存，交付和生命周期等信息

[>>TE Connectivity\(泰科\)](#)