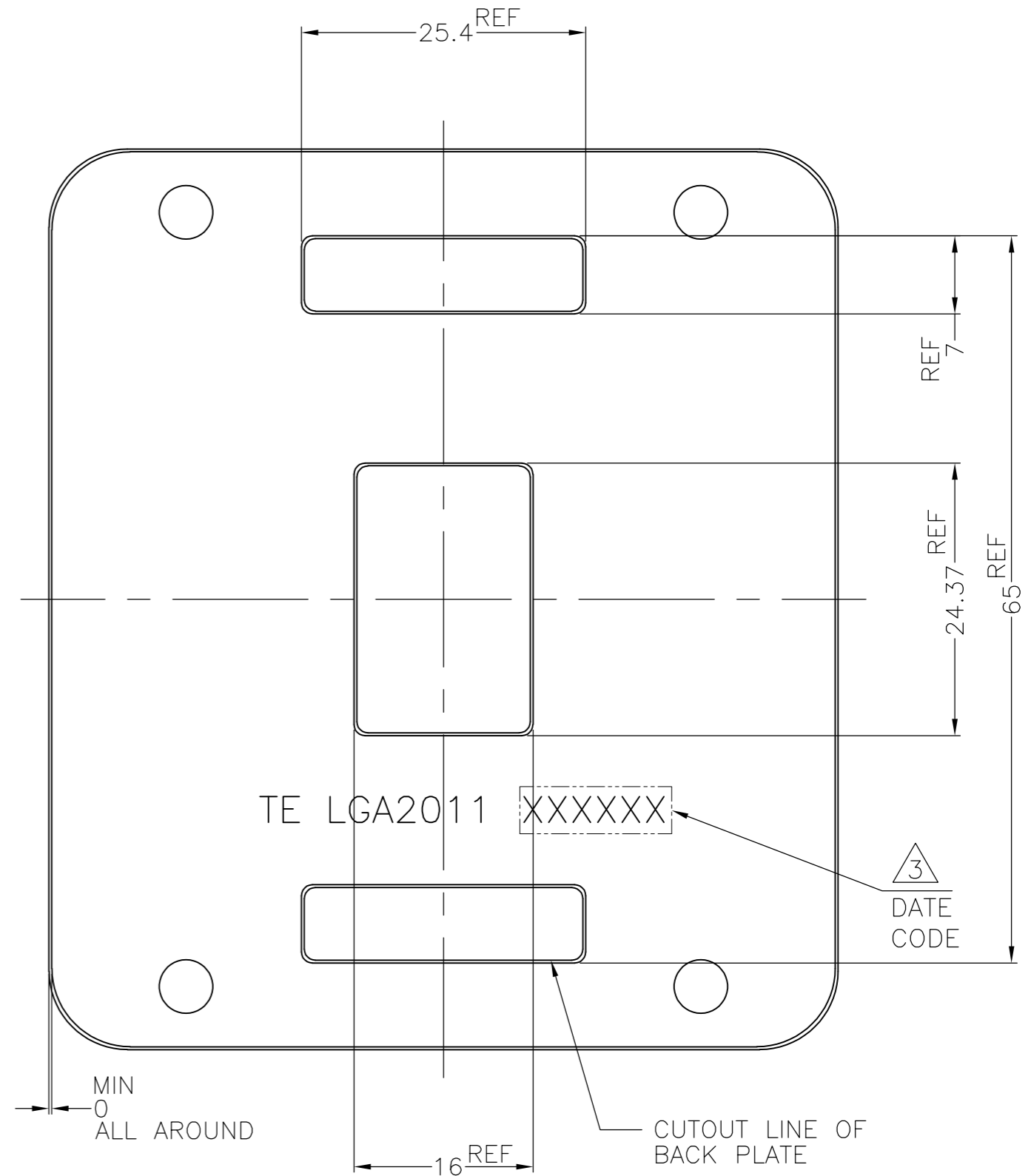
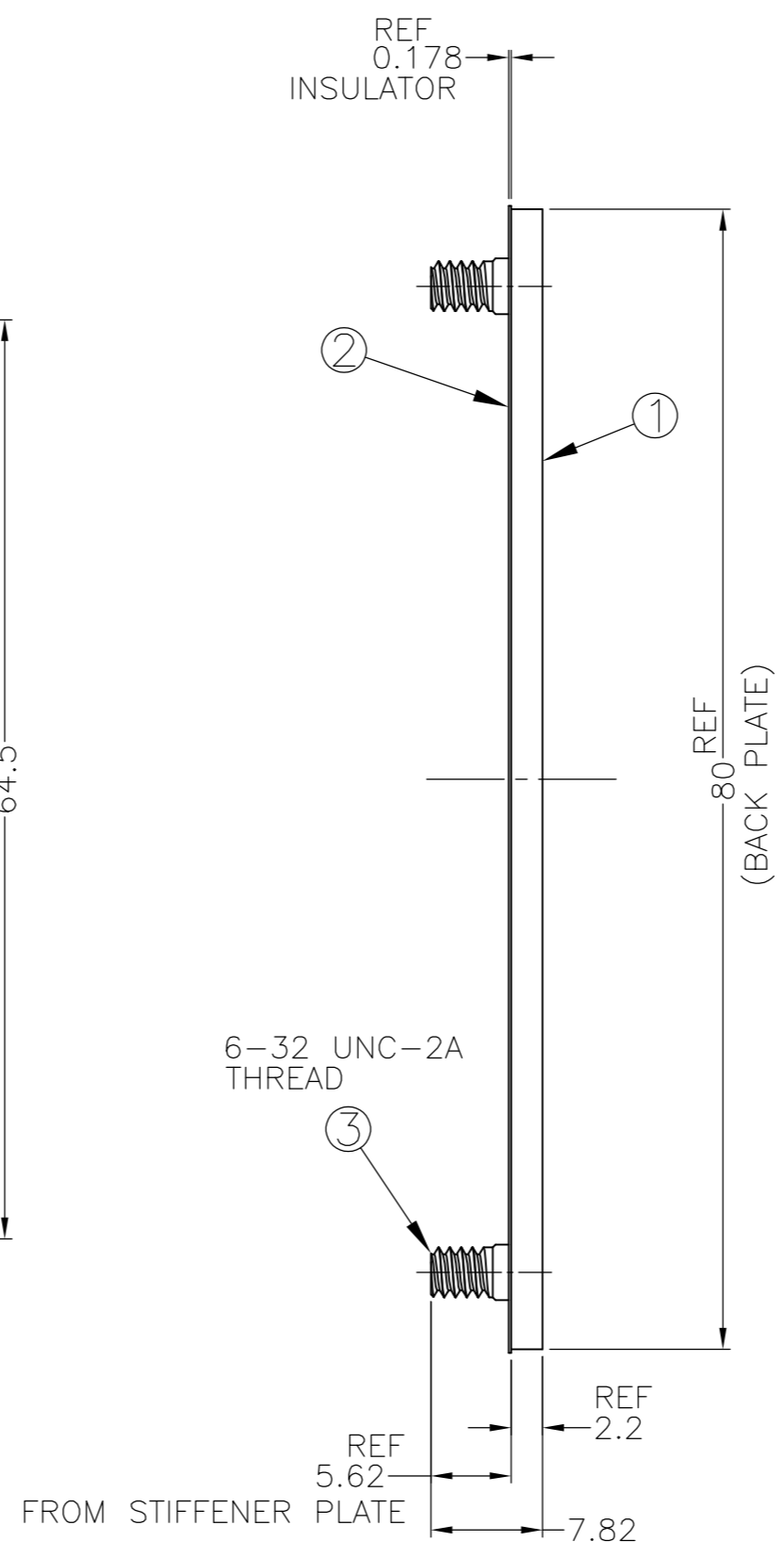
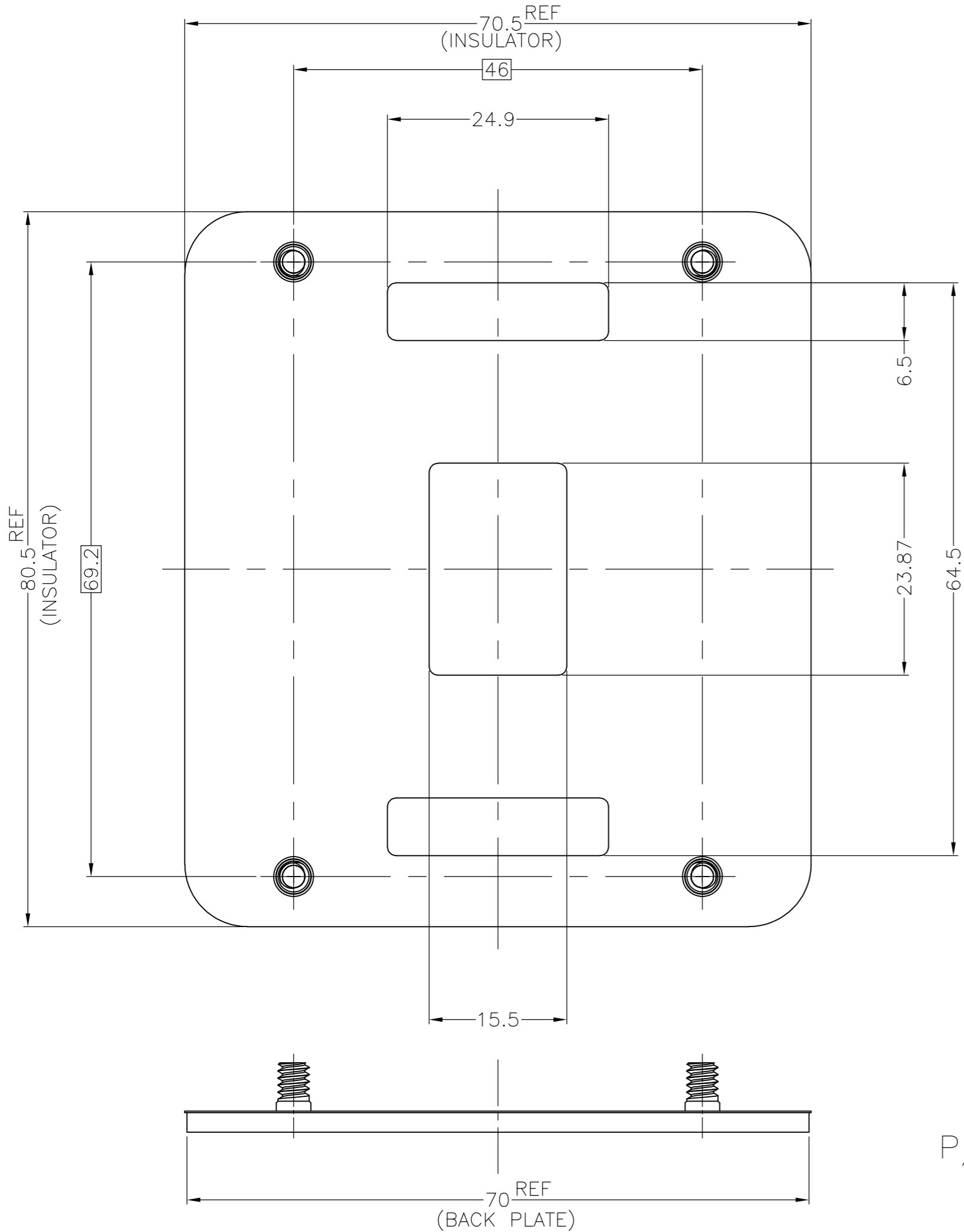


THIS DRAWING IS UNPUBLISHED. RELEASED FOR PUBLICATION APR , 2011.  
 © COPYRIGHT 2011 By Tyco Electronics Japan G.K. ALL RIGHTS RESERVED.

LOC	DIST	REVISIONS			DATE	DWN	APVD
J	-	P	LTR	DESCRIPTION			
		E		REVISED	12APR'16	J.W	C.W



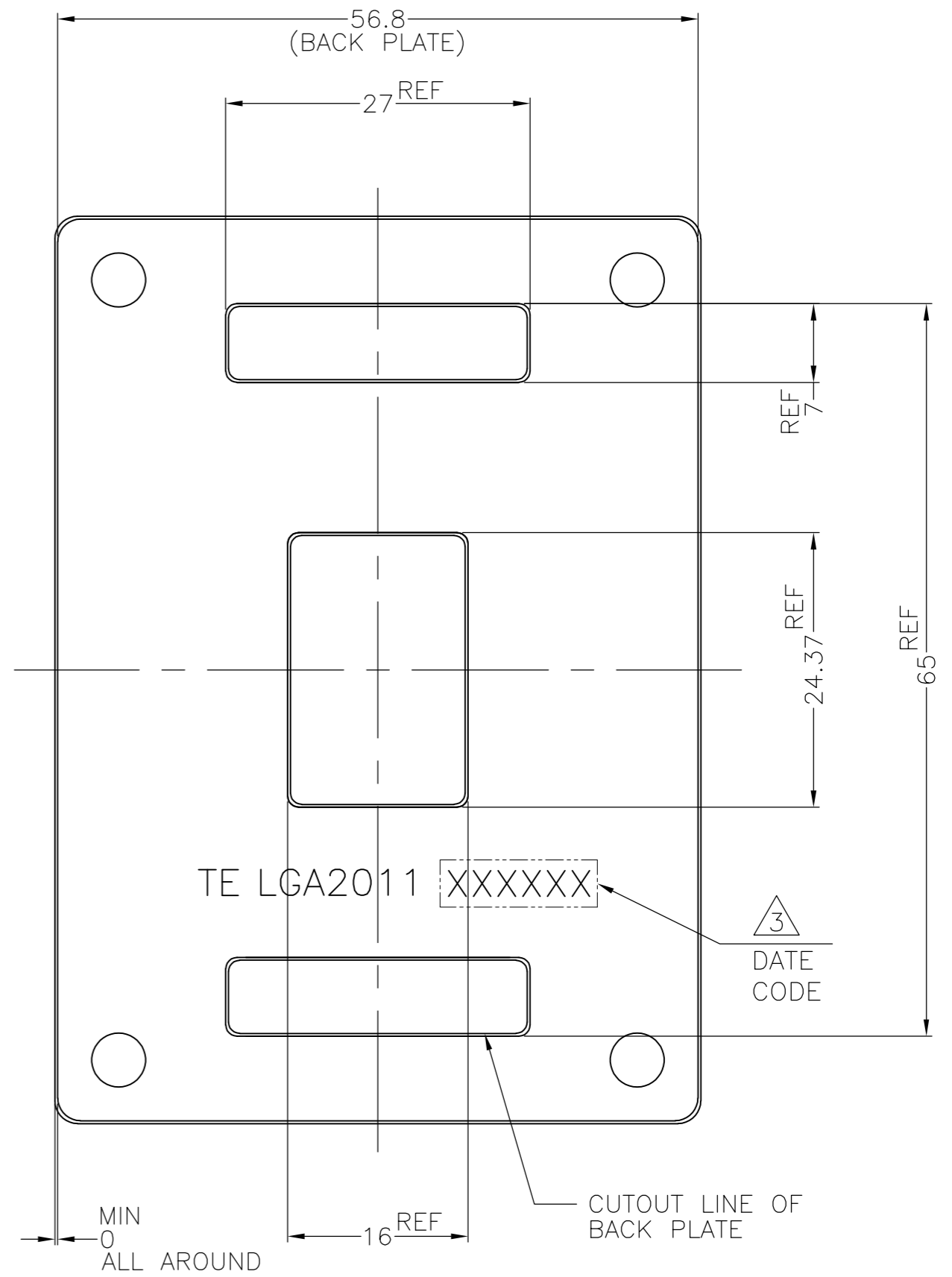
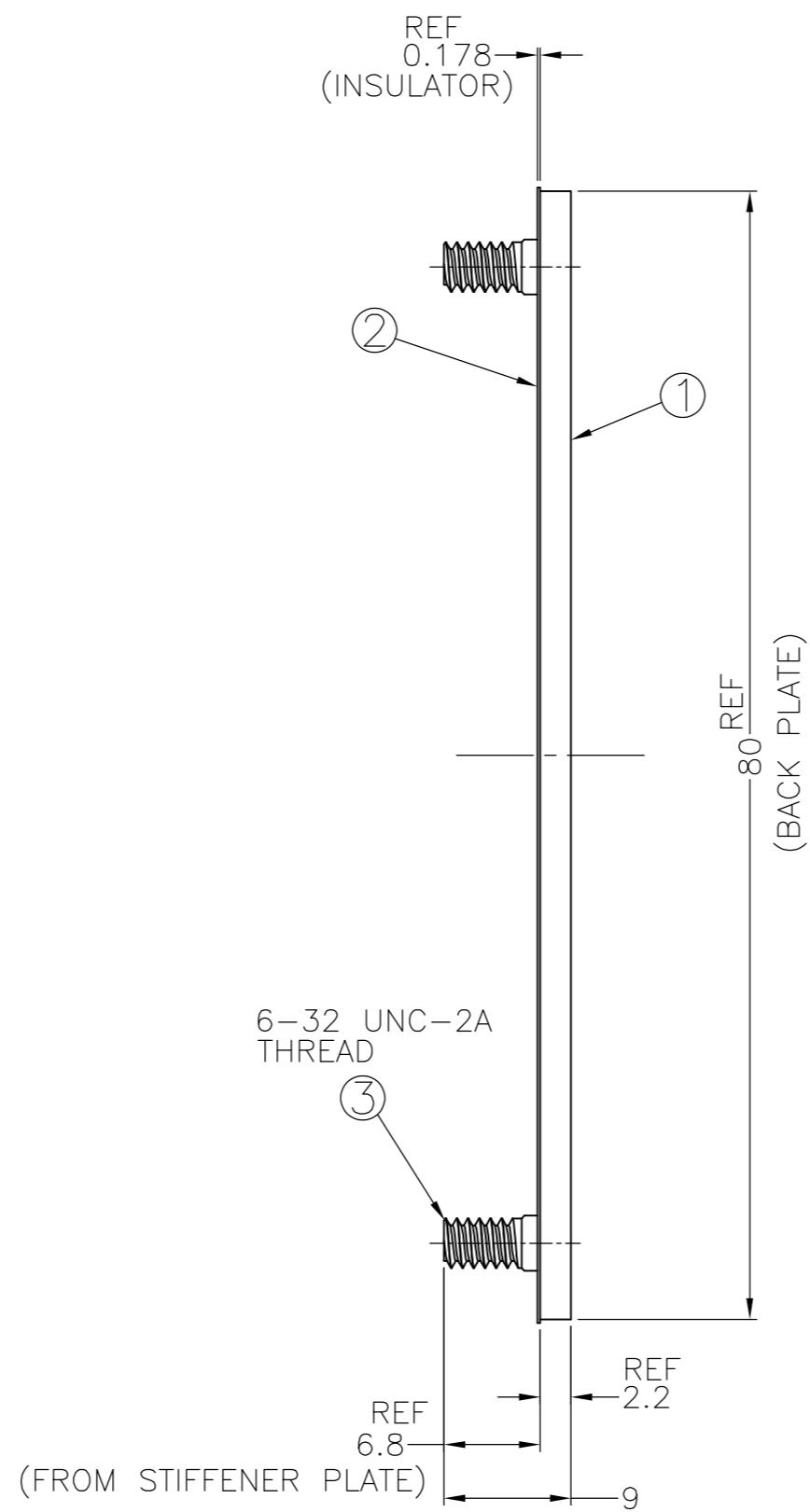
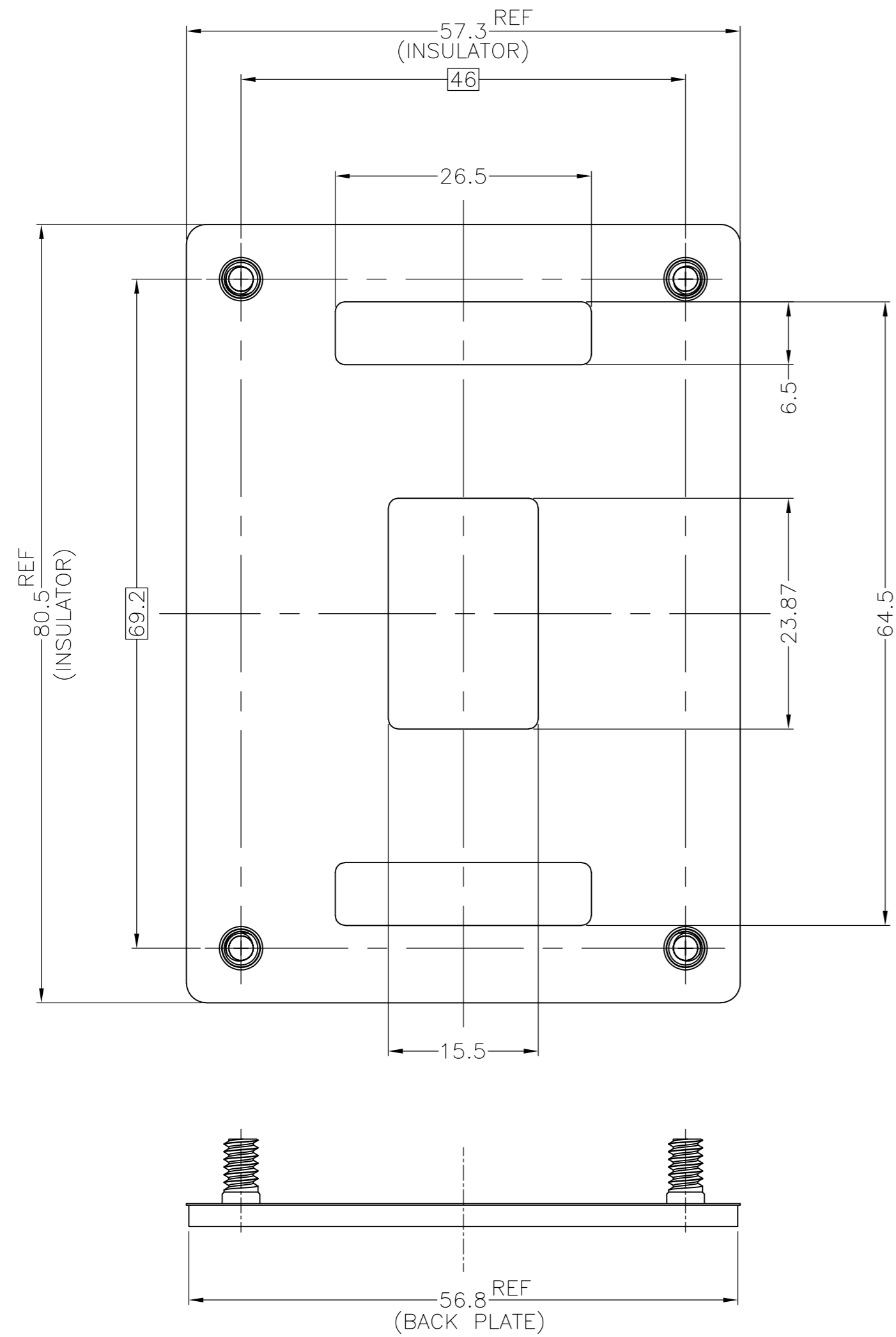
P/N: 2134440-1 AS SHOWN

- NOTE(APPLIED TO SHEET 1 OF 5, 3~5 OF 5):
- MATERIAL:
    - ① BACK PLATE: STEEL, FINISH: NI PLATING
    - ② INSULATOR: POLYCARBONATE FILM PLUS ACRYLIC ADHESIVE LAYER
    - ③ STUD: STEEL, FINISH: NI PLATING
  - ASSEMBLED WITH ILM ASSEMBLY P/N: 2134439 SERIES
  - INDICATED DATE CODE ON THE BACK PLATE

85.1	Ni PLATING	2134440-7
84.9	Ni PLATING	2134440-5
84.7	Ni PLATING	2134440-4
67.5	Ni PLATING	2134440-3
84.7	Ni PLATING	2134440-1
WEIGHT(g)	FINISH	PART NO.

THIS DRAWING IS A CONTROLLED DOCUMENT.		DWN	J.CHEN	16NOV2010	 TE Connectivity
DIMENSIONS: 单位: 转 mm		CHK	H.TAGUCHI	16NOV2010	
TOLERANCES UNLESS OTHERWISE SPECIFIED: 一般公差		APVD	T.NAKASHIMA	16NOV2010	
0-PLC ± ± ± 0.3 1-PLC ± ± ± 0.3 2-PLC ± ± ± 0.3 3-PLC ± ± ± 0.3 4-PLC ± ± ± 0.3 ANGLES ± ± ± 0.3 FINISH 仕上		NAME 名称 PRODUCT SPEC 製品規格 APPLICATION SPEC 取付適用規格 108-78750 114-5474		DRAWING NO 番号 C=2134440	
MATERIAL 材料		WEIGHT	SEE TABLE	SIZE	A2
		CUSTOMER DRAWING		CAGE CODE	00779
				SCALE	2:1
				SHEET	1 of 5
				REV	E

LOC	DIST	REVISIONS				
		P	LTR	DATE	DWN	APVD
J	-	-	-	-	-	-
DESCRIPTION				SEE SHEET 1		



P/N: 2134440-3 AS SHOWN

NOTE(APPLIED TO SHEET 2 OF 5):

- MATERIAL:
  - BACK PLATE: STEEL, FINISH: NI PLATING
  - INSULATOR: POLYCARBONATE FILM PLUS ACRYLIC ADHESIVE LAYER
  - STUD: STEEL, FINISH: NI PLATING
- ASSEMBLED WITH ILM ASSEMBLY P/N: 2134439 SERIES
- INDICATED DATE CODE ON THE BACK PLATE
- APPLICABLE PCB THICKNESS: 2.86~3.58mm

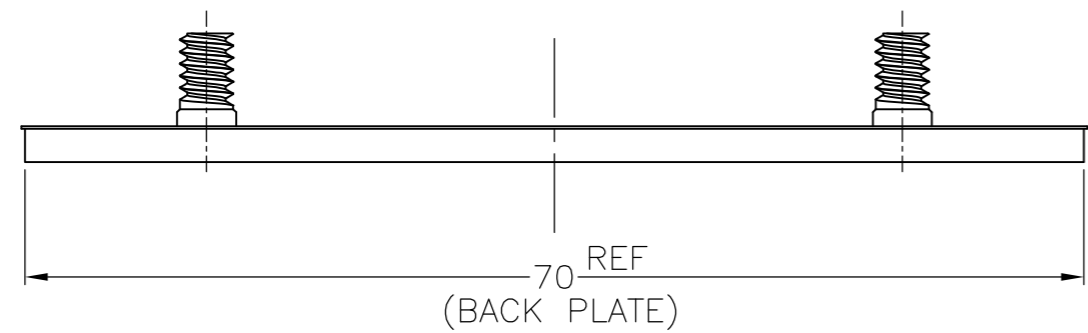
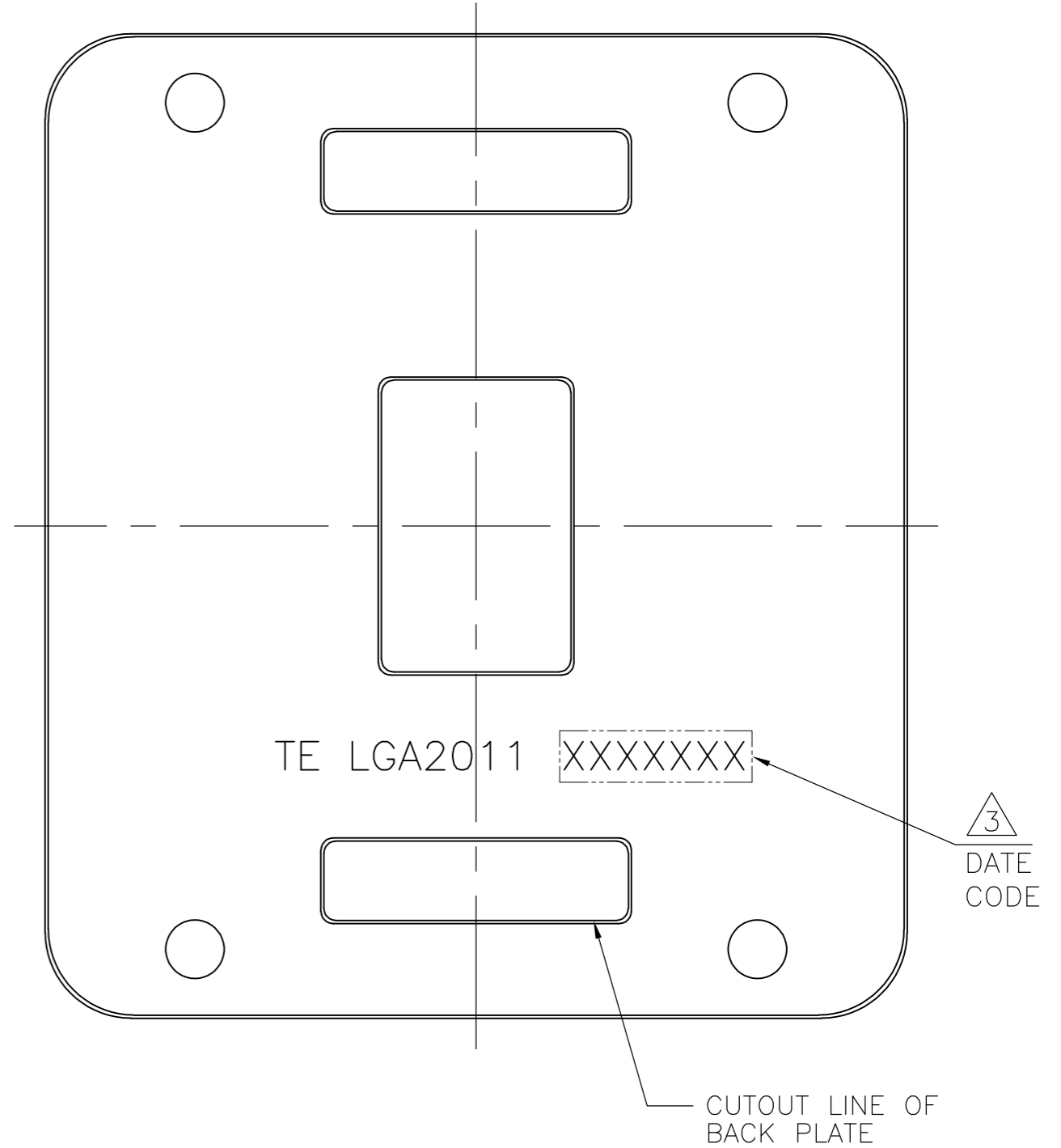
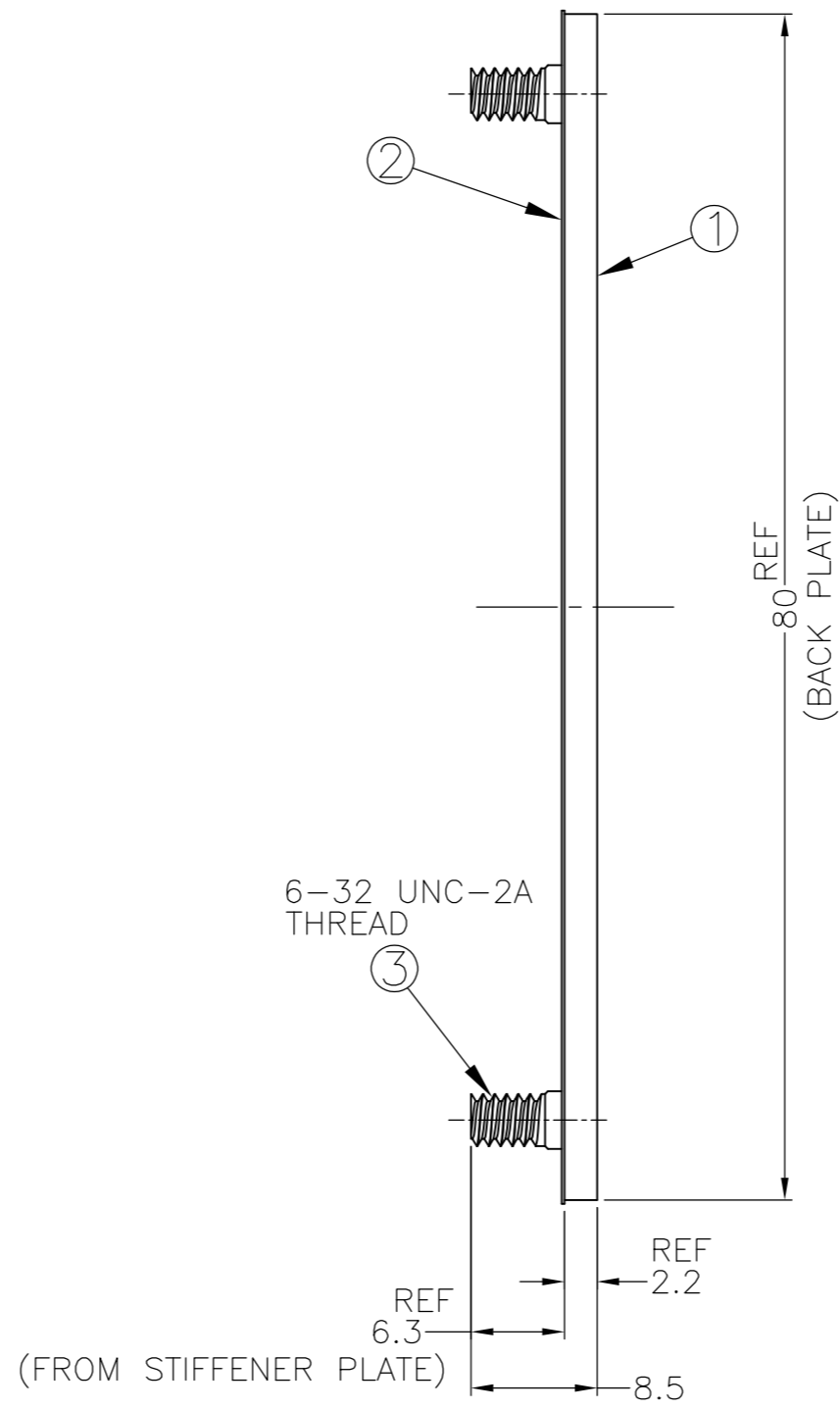
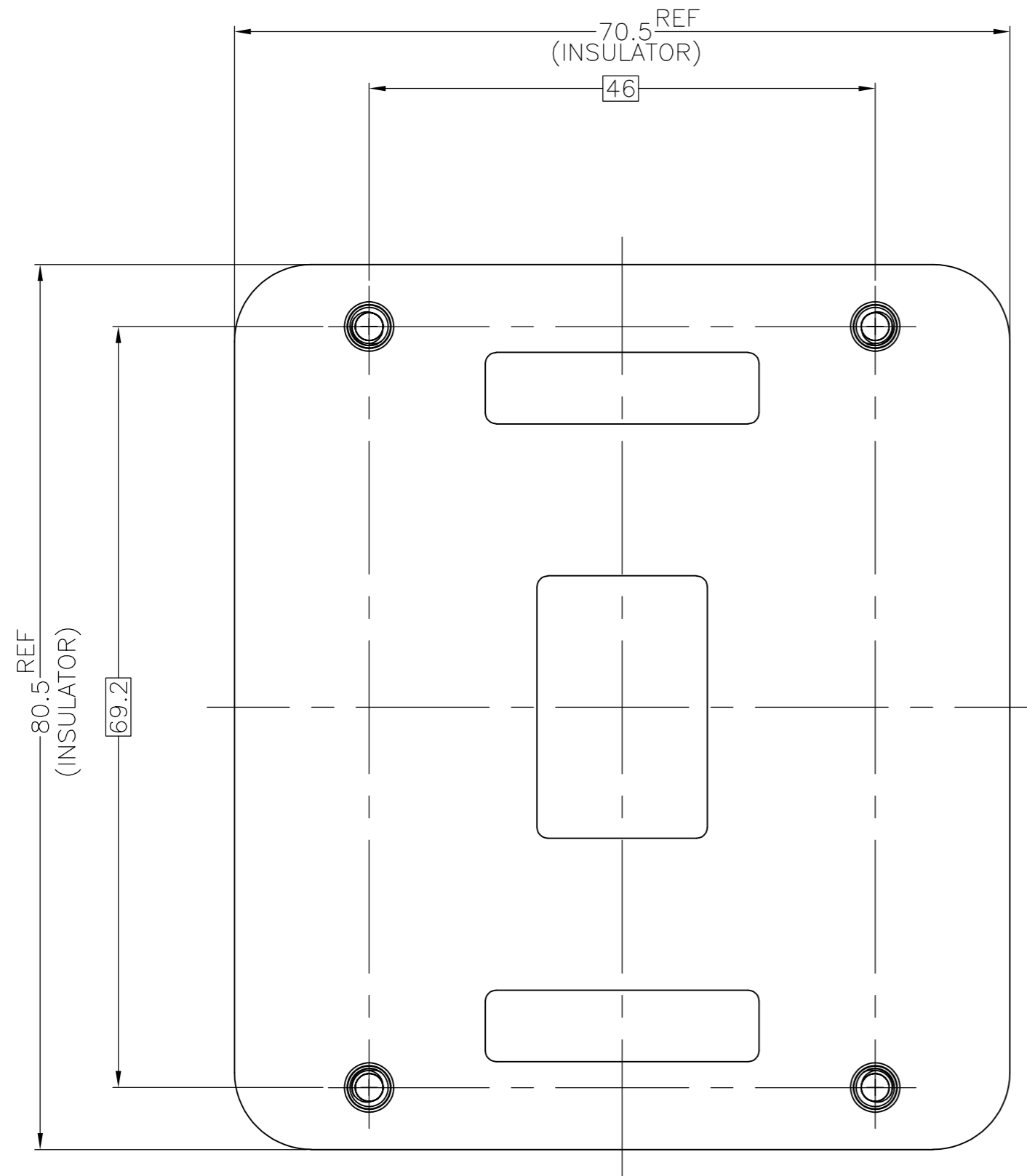
THIS DRAWING IS A CONTROLLED DOCUMENT.		DWN	-	TE Connectivity	
DIMENSIONS: 単位: 寸 mm		CHK	-	NAME 名称	
TOLERANCES UNLESS OTHERWISE SPECIFIED: 一般公差		APVD	-	BACK PLATE ASSY	
6-PLC ± ± ± 0.3		PRODUCT SPEC	-	LGA2011	
1-PLC ± ± ± 3°		APPLICATION SPEC	-	SIZE	CAGE CODE
2-PLC ± ± ±		取付適用規格	-	A2	00779
3-PLC ± ± ±		FINISH 仕上	-	DRAWING NO 番号	RESTRICTED TO
4-PLC ± ± ±		WEIGHT	SEE TABLE	C=2134440	-
ANGLES		CUSTOMER DRAWING	-	SCALE 尺度	SHEET 2 of 5
FINISH 仕上				REV	E

2134440



THIS DRAWING IS UNPUBLISHED. RELEASED FOR PUBLICATION APR , 2011.  
 © COPYRIGHT 2011 By Tyco Electronics Japan G.K. ALL RIGHTS RESERVED.

LOC	DIST	REVISIONS					
J	-	P	LTR	DESCRIPTION	DATE	DWN	APVD
		-	-	SEE SHEET 1	-	-	-



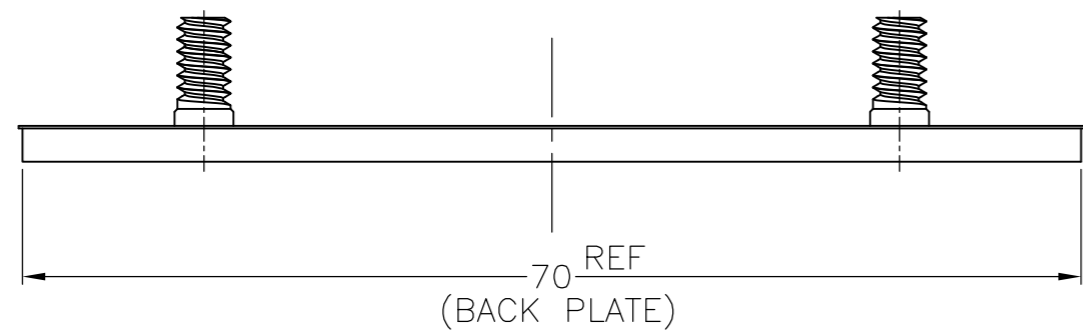
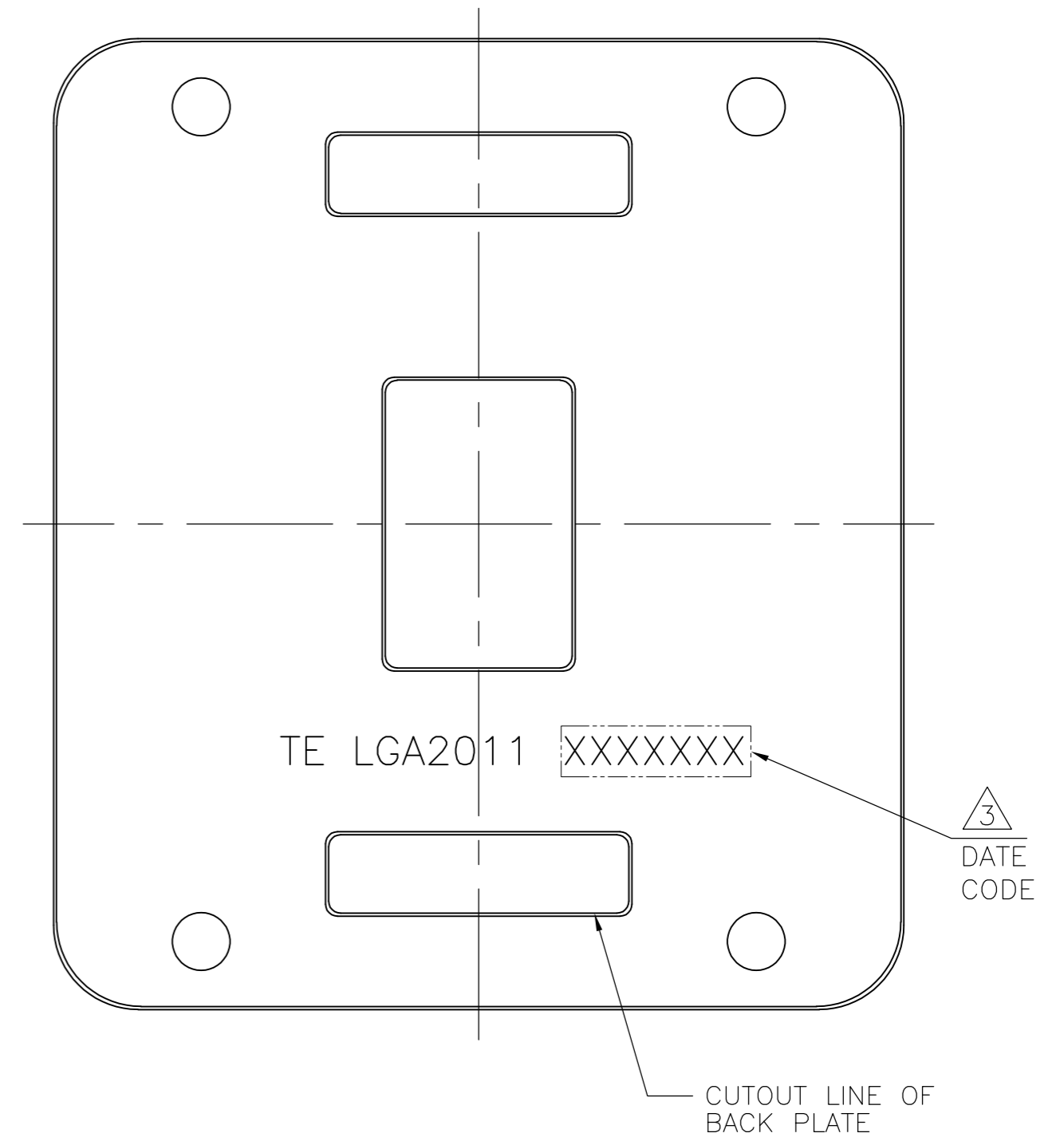
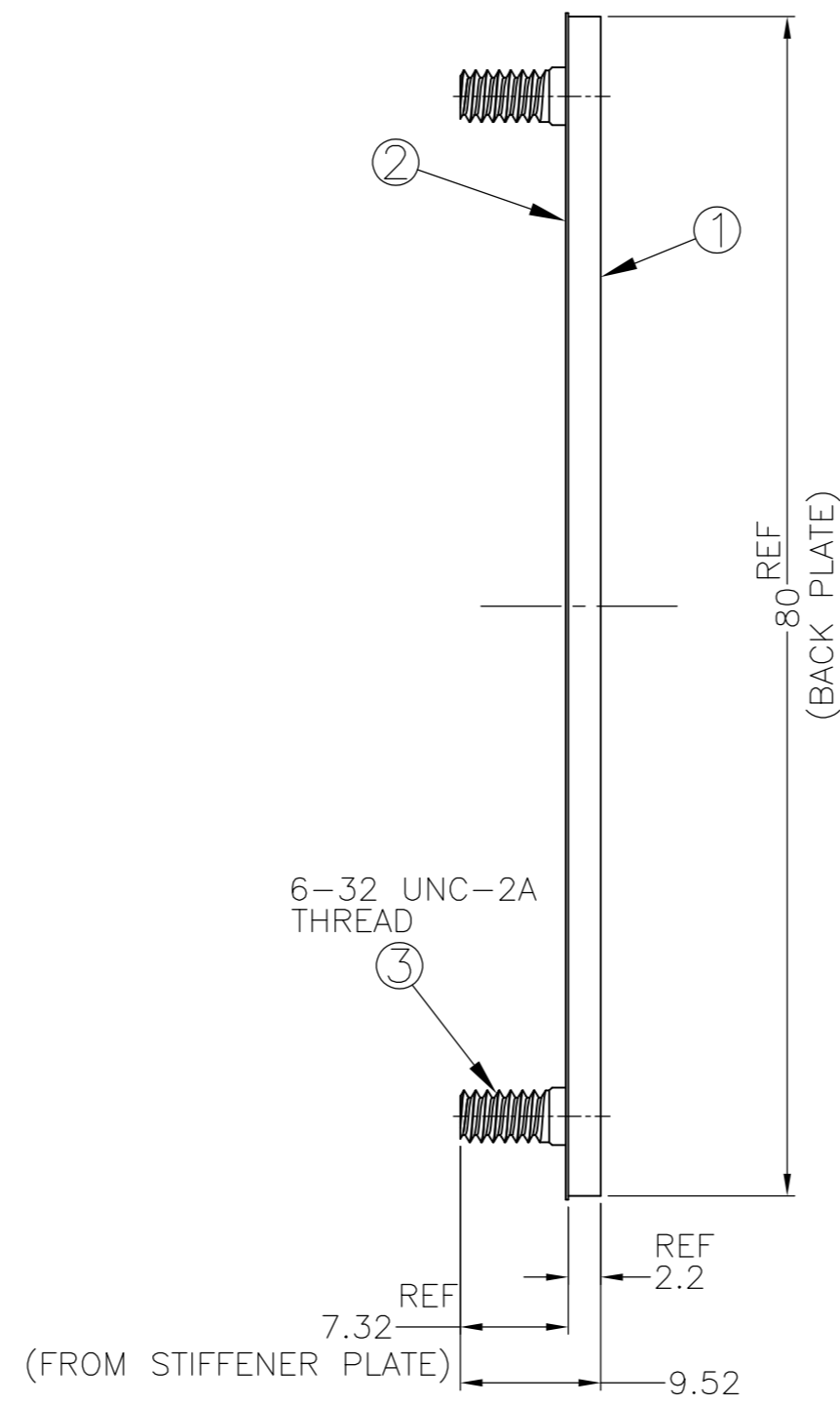
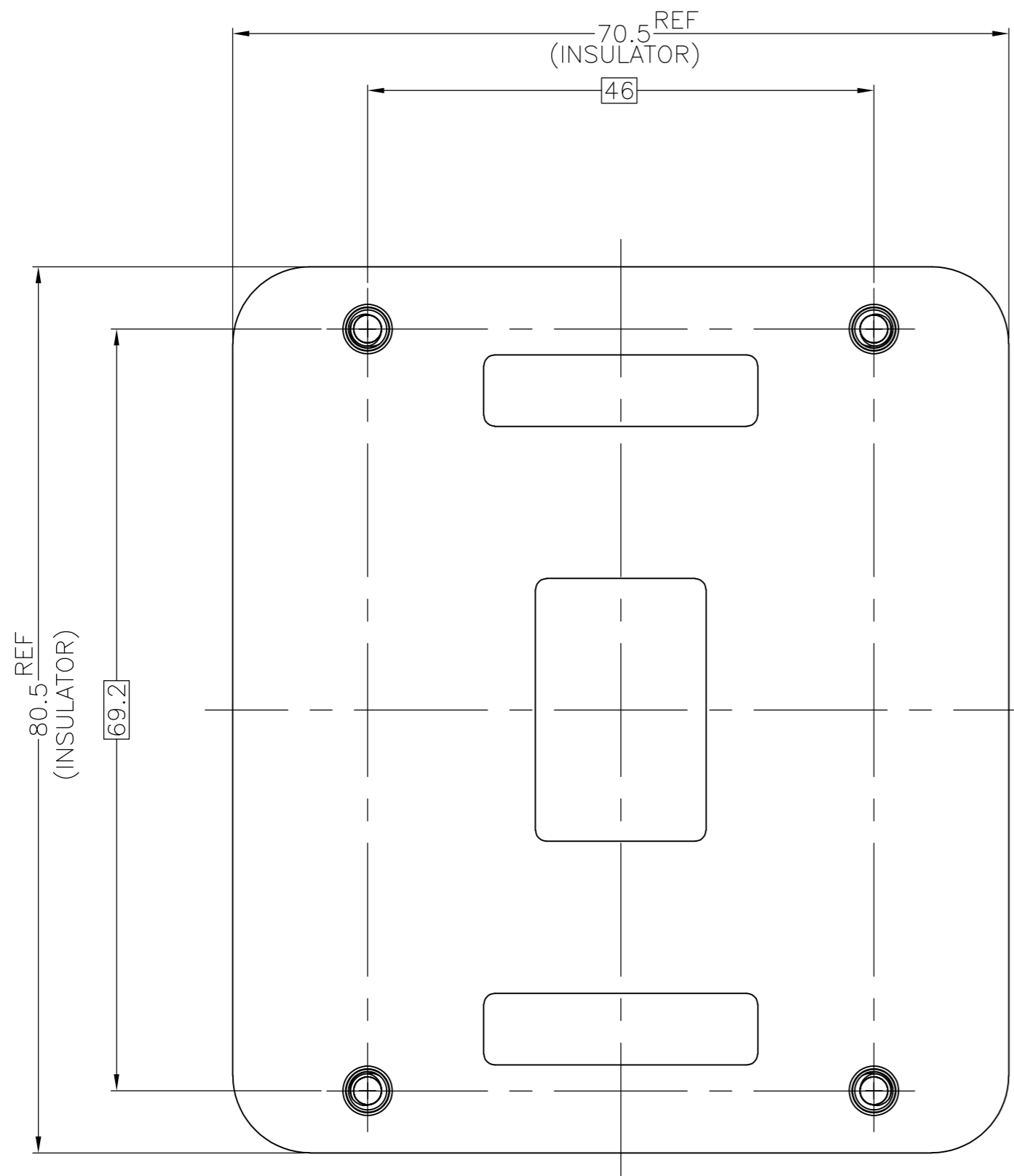
2134440-5 AS SHOWN  
 UNLESS SPECIFIED  
 DIMENSION ARE SAME WITH -1

THIS DRAWING IS A CONTROLLED DOCUMENT.		DWN	-	<b>STE</b> TE Connectivity	
DIMENSIONS: 単位: 種 mm		CHK	-		
TOLERANCES UNLESS OTHERWISE SPECIFIED: 一般公差		APVD	-	NAME 名称	
0-PLC ± ± ± 0.3	PRODUCT SPEC 製品規格	BACK PLATE ASSY LGA2011		SIZE	CAGE CODE
1-PLC ± ± ± 3°	APPLICATION SPEC 取付適用規格	DRAWING NO 番号		A2	00779
2-PLC ± ± ±	FINISH 仕上	DRAWING NO 番号		C=2134440	
3-PLC ± ± ±	MATERIAL 材料	WEIGHT		RESTRICTED TO	
4-PLC ± ± ±	FINISH 仕上	SEE TABLE		-	
ANGLES ± ± ±	SCALE 尺度	CUSTOMER DRAWING		2:1	SHEET 4 OF 5
	REV	E			

2134440

THIS DRAWING IS UNPUBLISHED. RELEASED FOR PUBLICATION APR, 2011.  
 © COPYRIGHT 2011 By Tyco Electronics Japan G.K. ALL RIGHTS RESERVED.

LOC		DIST		REVISIONS				DATE	DWN	APVD
P	LTR	DESCRIPTION								
		SEE SHEET 1								



2134440-7 AS SHOWN  
 UNLESS SPECIFIED  
 DIMENSION ARE SAME WITH -1

THIS DRAWING IS A CONTROLLED DOCUMENT.		DWN	TE Connectivity		
DIMENSIONS: 単位: 寸 mm		CHK	BACK PLATE ASSY LGA2011		
TOLERANCES UNLESS OTHERWISE SPECIFIED: 一般公差		APVD	SIZE	CAGE CODE	DRAWING NO
0-PLC ± ± ± 0.3	PRODUCT SPEC 製品規格		A2	00779	C=2134440
1-PLC ± ± ± 0.3	APPLICATION SPEC 取付適用規格		RESTRICTED TO		
2-PLC ± ± ± 0.3	FINISH 仕上	WEIGHT	-		
3-PLC ± ± ± 0.3		SEE TABLE	SCALE 2:1 SHEET 5 OF 5 REV E		
4-PLC ± ± ± 0.3		CUSTOMER DRAWING			

2134440

单击下面可查看定价，库存，交付和生命周期等信息

[>>TE Connectivity\(泰科\)](#)