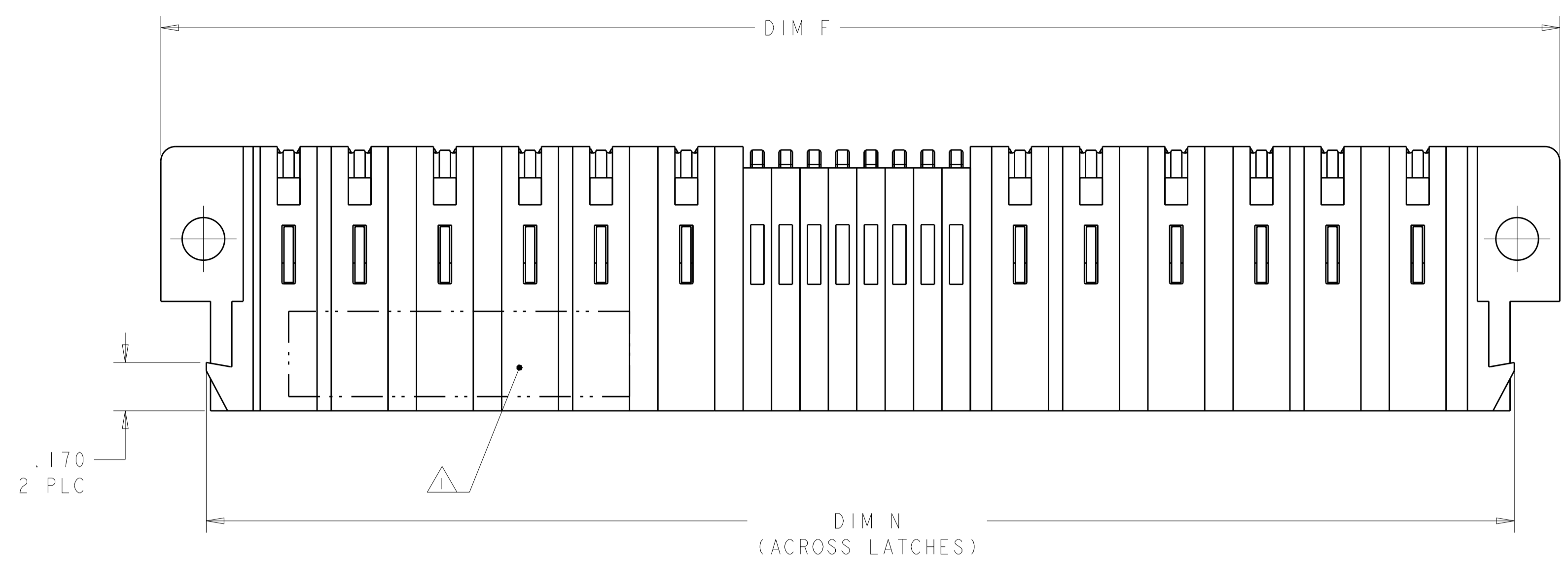
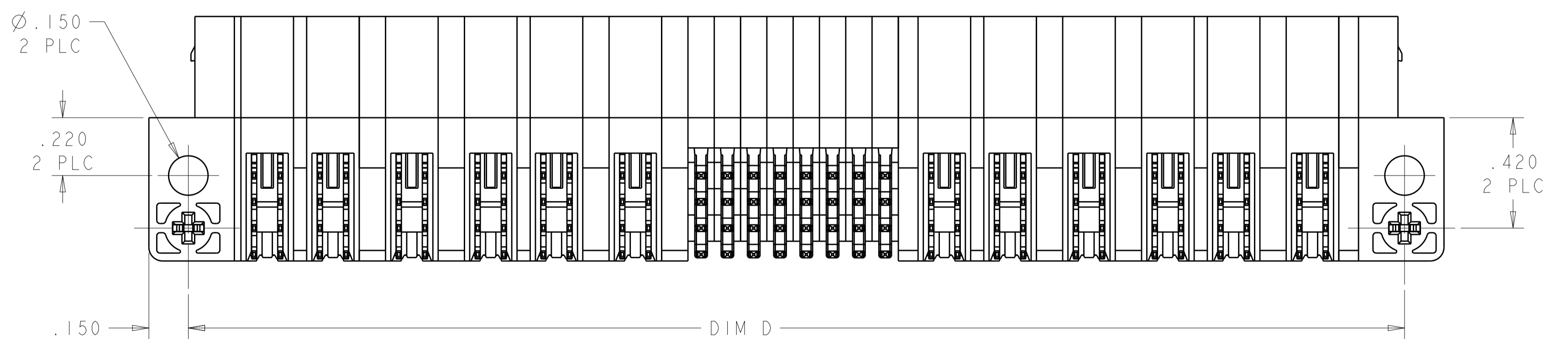
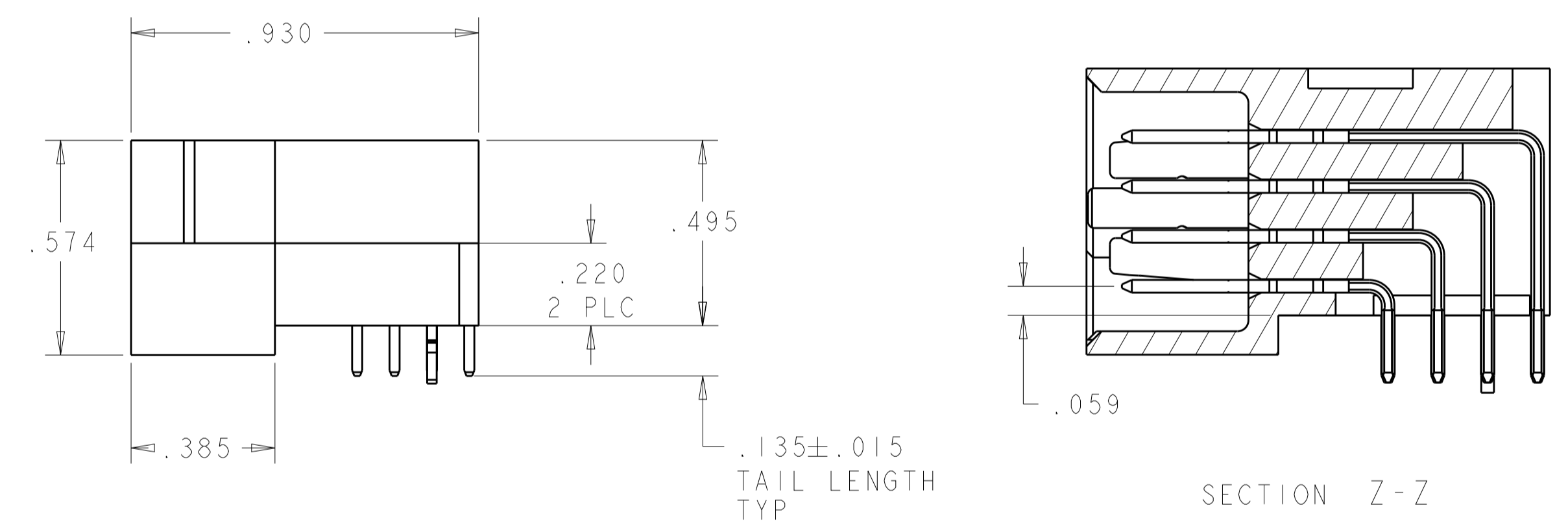
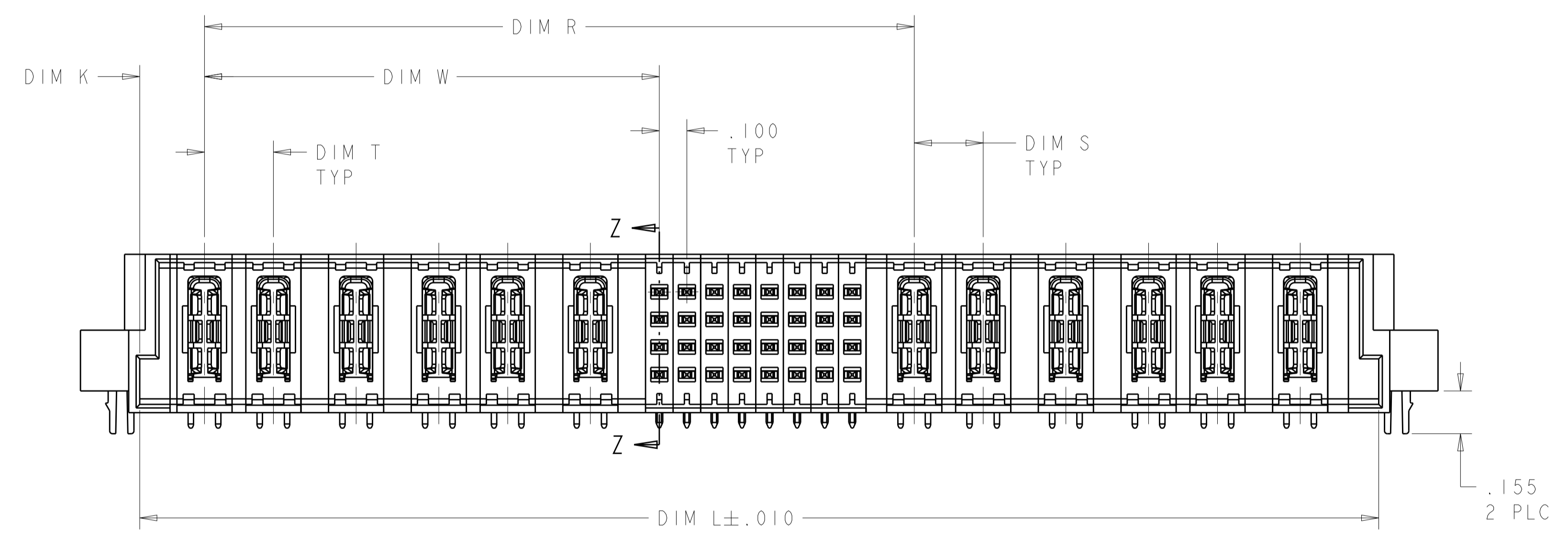


LOC		DIST		REVISIONS			
ES	00	P	LTN	DESCRIPTION	DATE	DWN	APVD
		A4		ADDED THE DASH NUMBER -5	13DEC2011	ML	SZ



- 1 "AMP", PART NUMBER, AND DATECODE TO BE MARKED IN AREA SHOWN. PARTS UNDER 2.00 LONG MAY BE MARKED ON BOTH SIDES.
- 2 MATERIAL: HOUSING - GLASS FILLED HIGH TEMP THERMO PLASTIC, UL94 V-0
POWER CONTACT - HIGH CONDUCTIVITY COPPER ALLOY
- 3 CONTACT PLATING: NOBLE METAL PLATING ON CONTACT FUNCTIONAL AREA OF POWER AND SIGNAL CONTACTS.
- 4 MECHANICAL CONNECTOR KEEP OUT ZONE.
- 5 DATUM AND BASIC DIMENSIONS ESTABLISHED BY CUSTOMER.
- 6 PCB - HOLE DIAMETERS ARE FINISHED HOLE SIZE.
- 7 PCB - .0453±.0010 DRILLED HOLES PLATED WITH .0003 MIN Sn OVER .001 TO .003 Cu PLATING TO ACHIEVE A .040 DIA HOLE.
- 8 NOT RELEASED FOR PRODUCTION.
- 9 VARIABLE DIMENSION SHOW ON VIEW (SHEET 2).
- 10 THE CONFIGURATION WITH VENT, PLEASE REFER TO SHEET 2.



A4	-	-	.300	-	1.180	1.500	1.200	1.070	.235	3ACP	1892108-5
A2	1.600	.850	.300	.300	2.880	3.200	2.900	2.770	.285	3ACP + 24S + 3ACP	1892108-4
	.950	.225	-	-	1.530	1.850	1.550	1.420	.235	IP + 24S + IP	1892108-2
8	2.575	1.650	9	9	4.605	4.925	4.625	4.495	.235	6P + 32S + 6P	1892108-1
	DIM R	DIM W	DIM T	DIM S	DIM N	DIM F	DIM D	DIM L	DIM K	DESCRIPTION	PART NUMBER

THIS DRAWING IS A CONTROLLED DOCUMENT. DWG: C.ZHOU 19MAR2007
 CHK: S.ZHAO 19MAY2007
 APVD: S.YAO

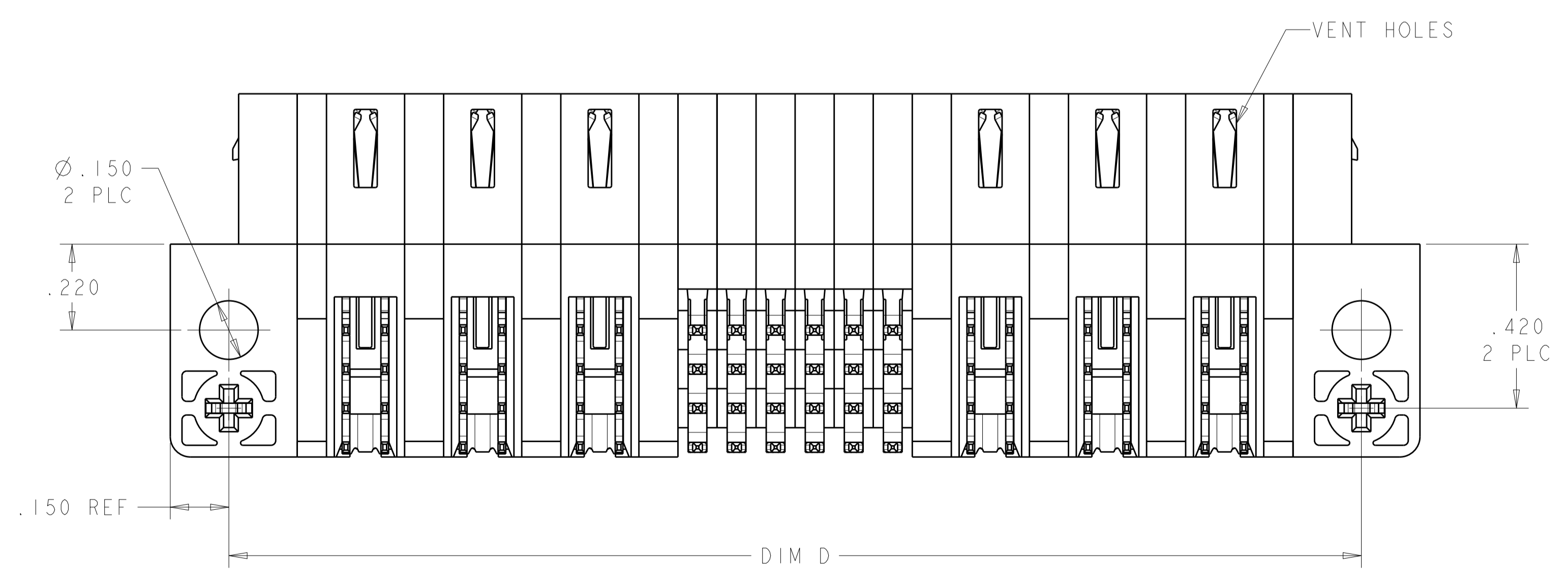
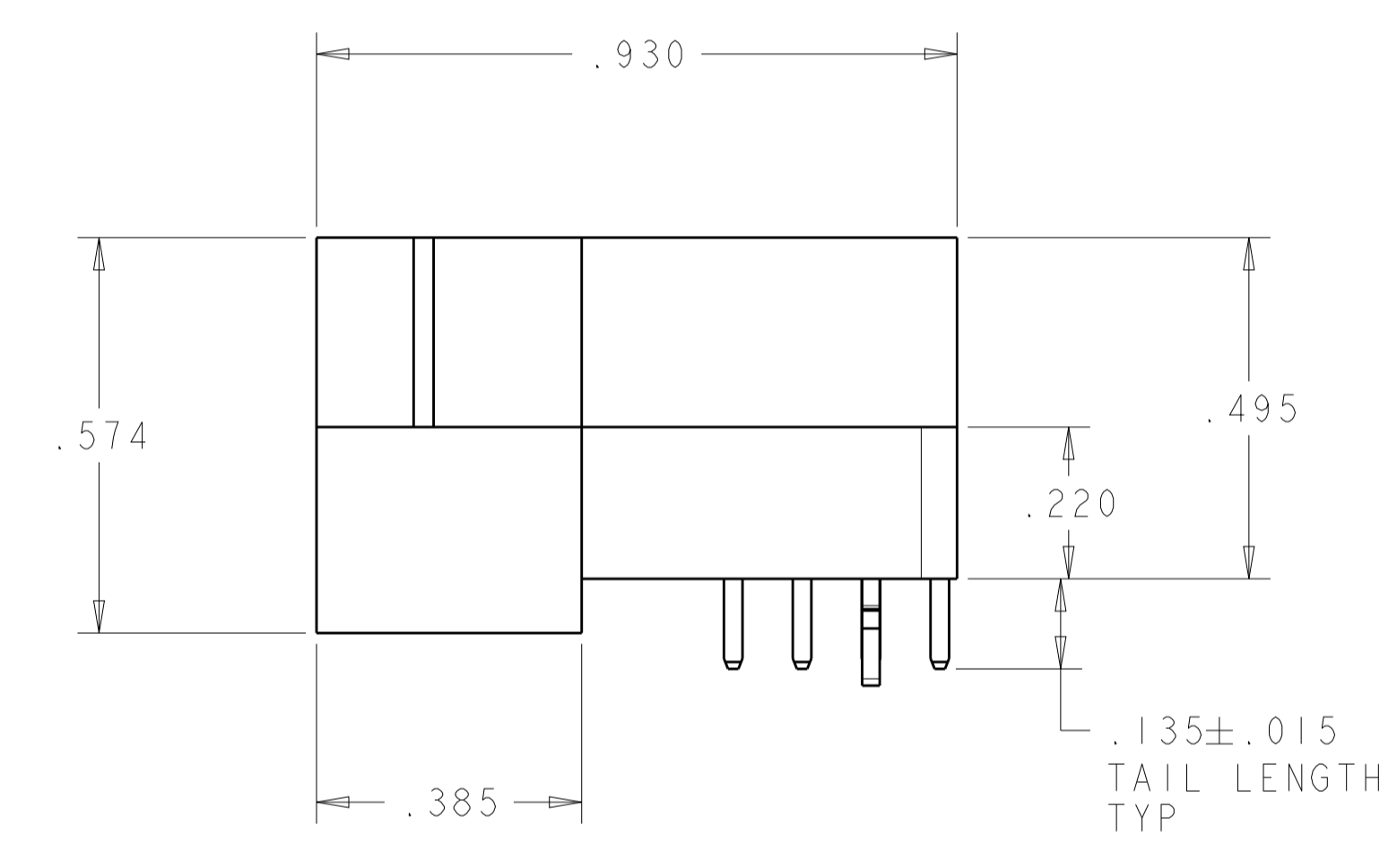
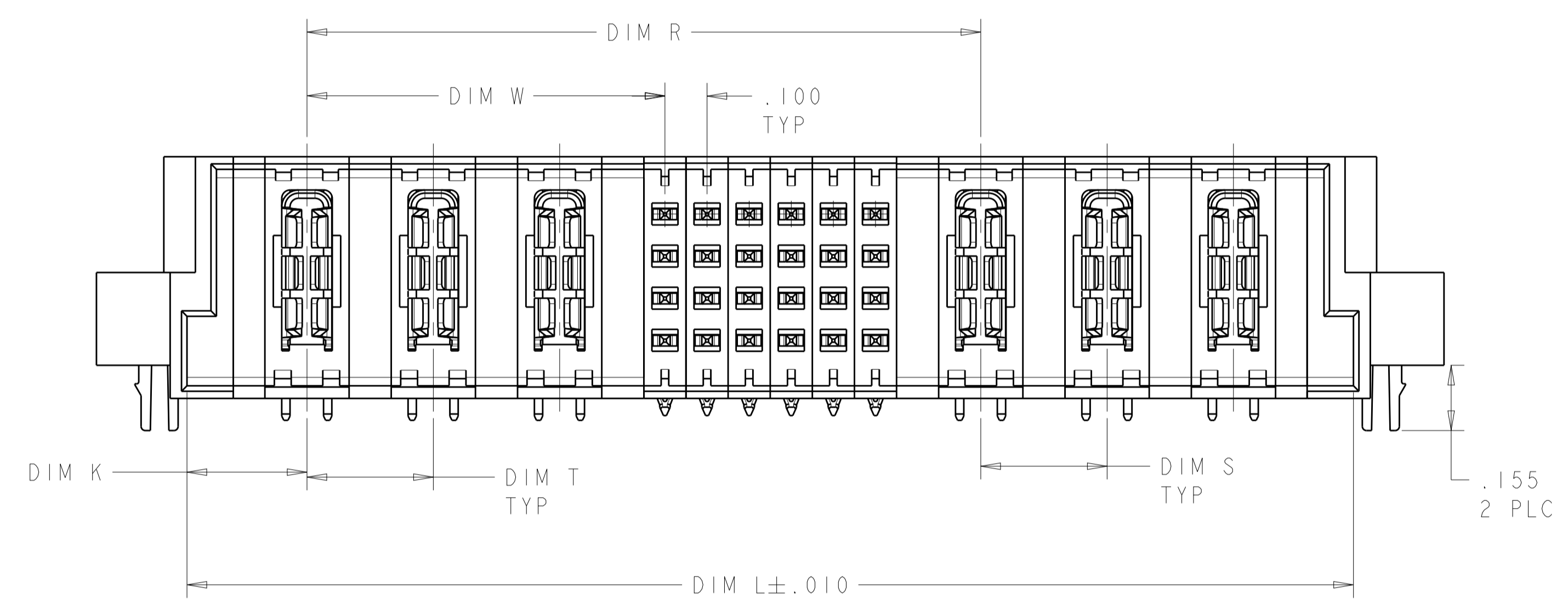
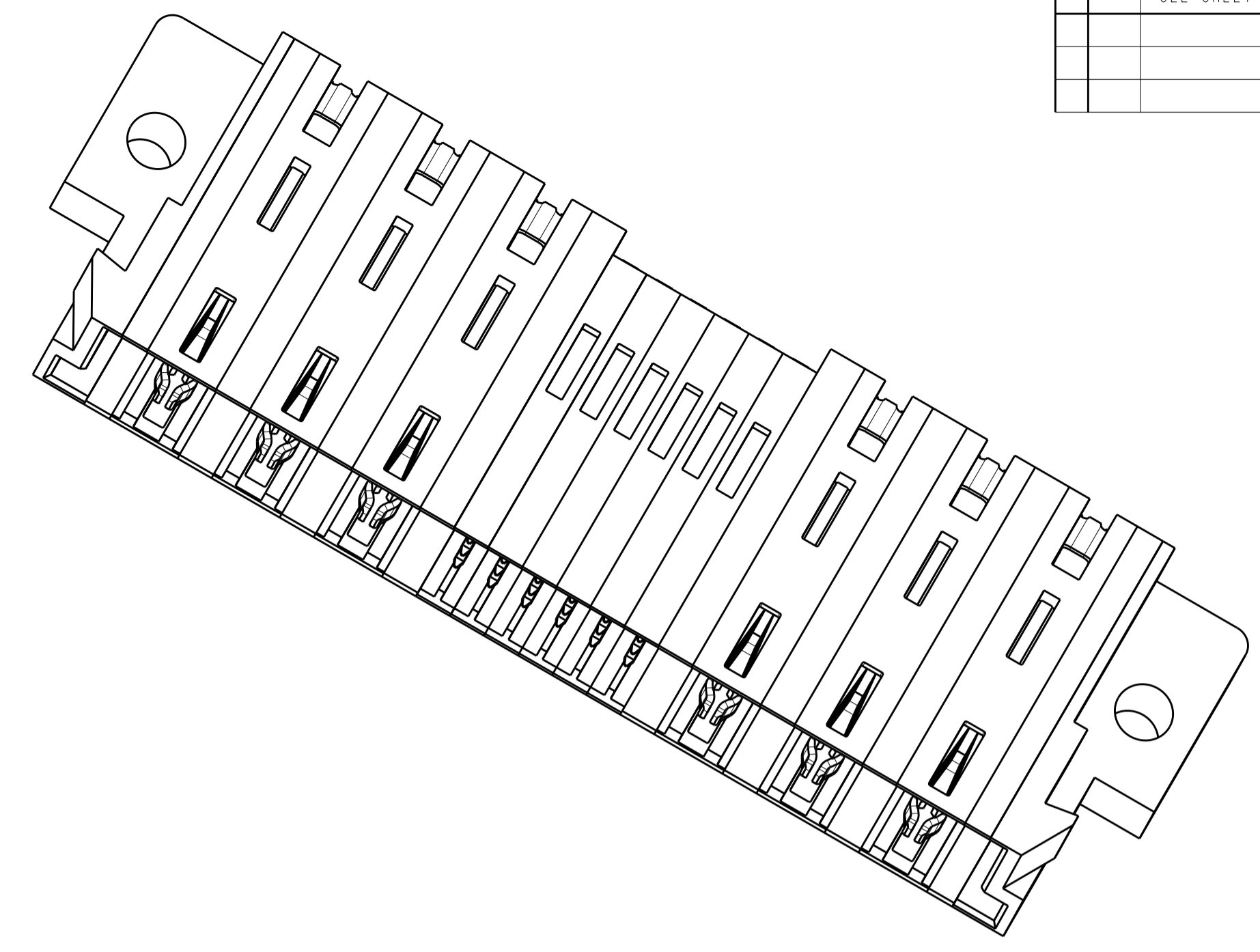
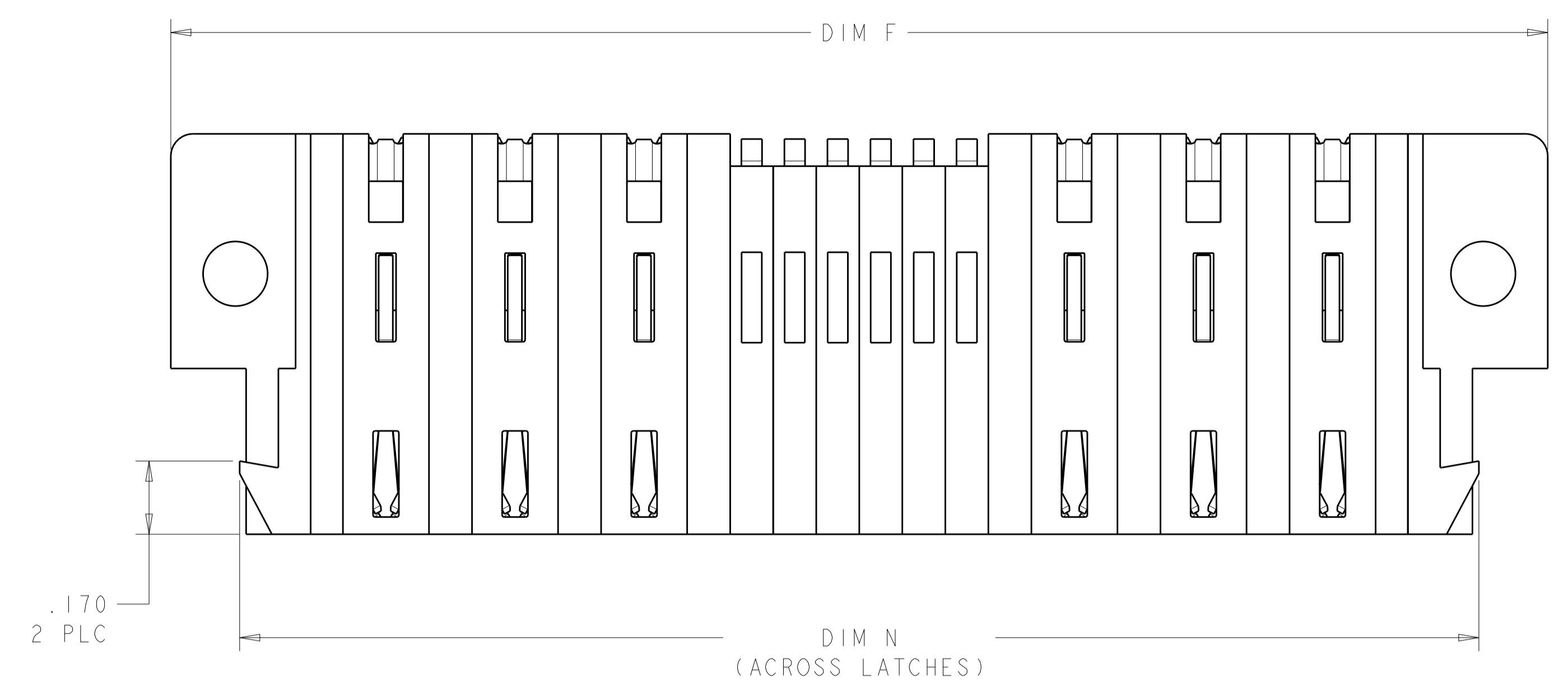
DIMENSIONS: INCHES. TOLERANCES UNLESS OTHERWISE SPECIFIED:
 0 PLC ±.
 1 PLC ±.01
 2 PLC ±.01
 3 PLC ±.005
 4 PLC ±.0020
 ANGLES ±.0020

MATERIAL: 2. FINISH: 3.

TE Connectivity
 RIGHT ANGLE HEADER ASSEMBLY W/END LATCHES MULTI-BEAM XLE
 NAME: 108-2292
 PRODUCT SPEC: 108-2292
 APPLICATION SPEC: 114-13251
 WEIGHT: -
 CUSTOMER DRAWING

SCALE: 4:1 SHEET 1 OF 4 REV: A4

LOC		DIST		REVISIONS			
ES	00	P	LTN	DESCRIPTION	DATE	DMN	APVD
		-		SEE SHEET 1	-	-	-



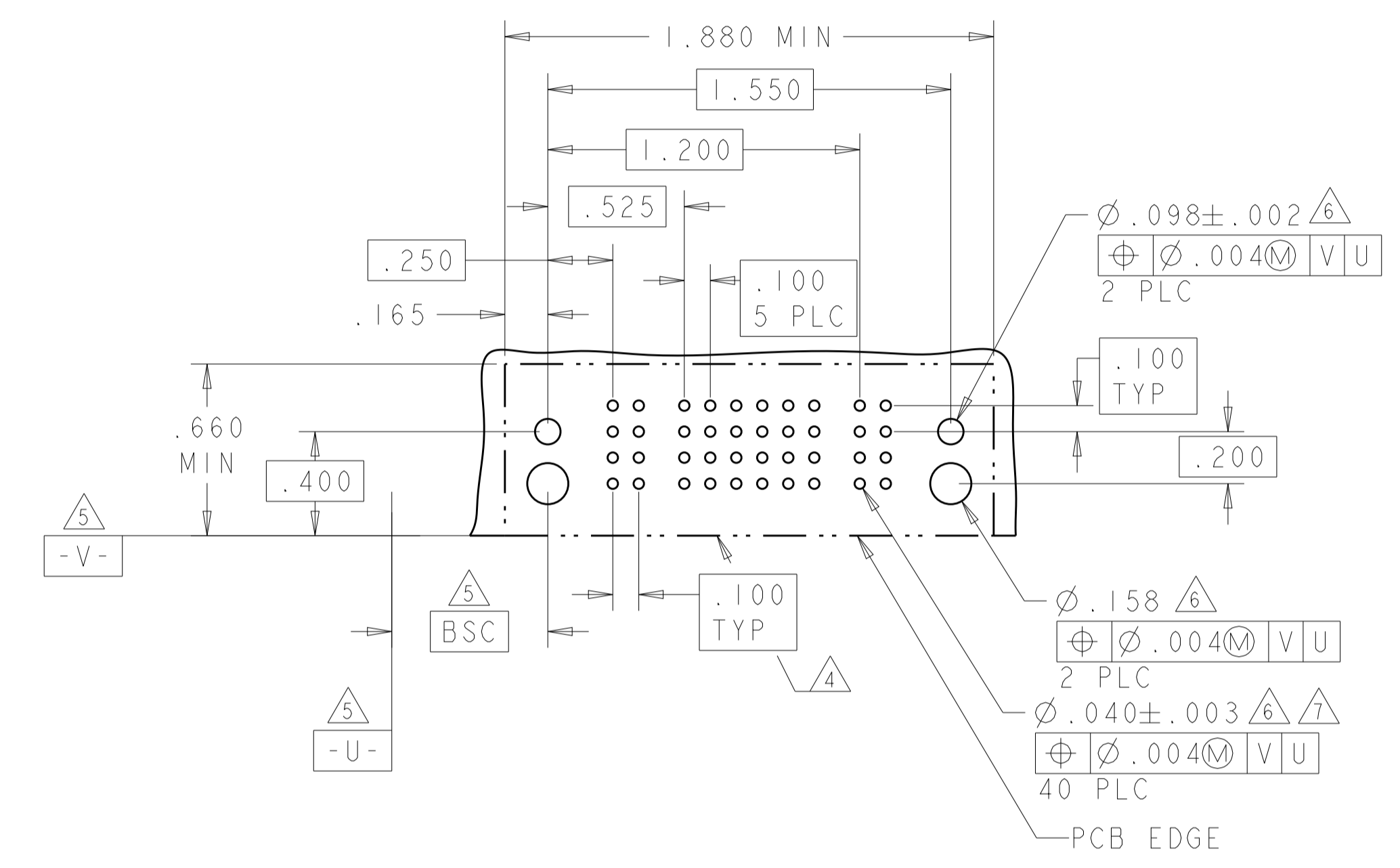
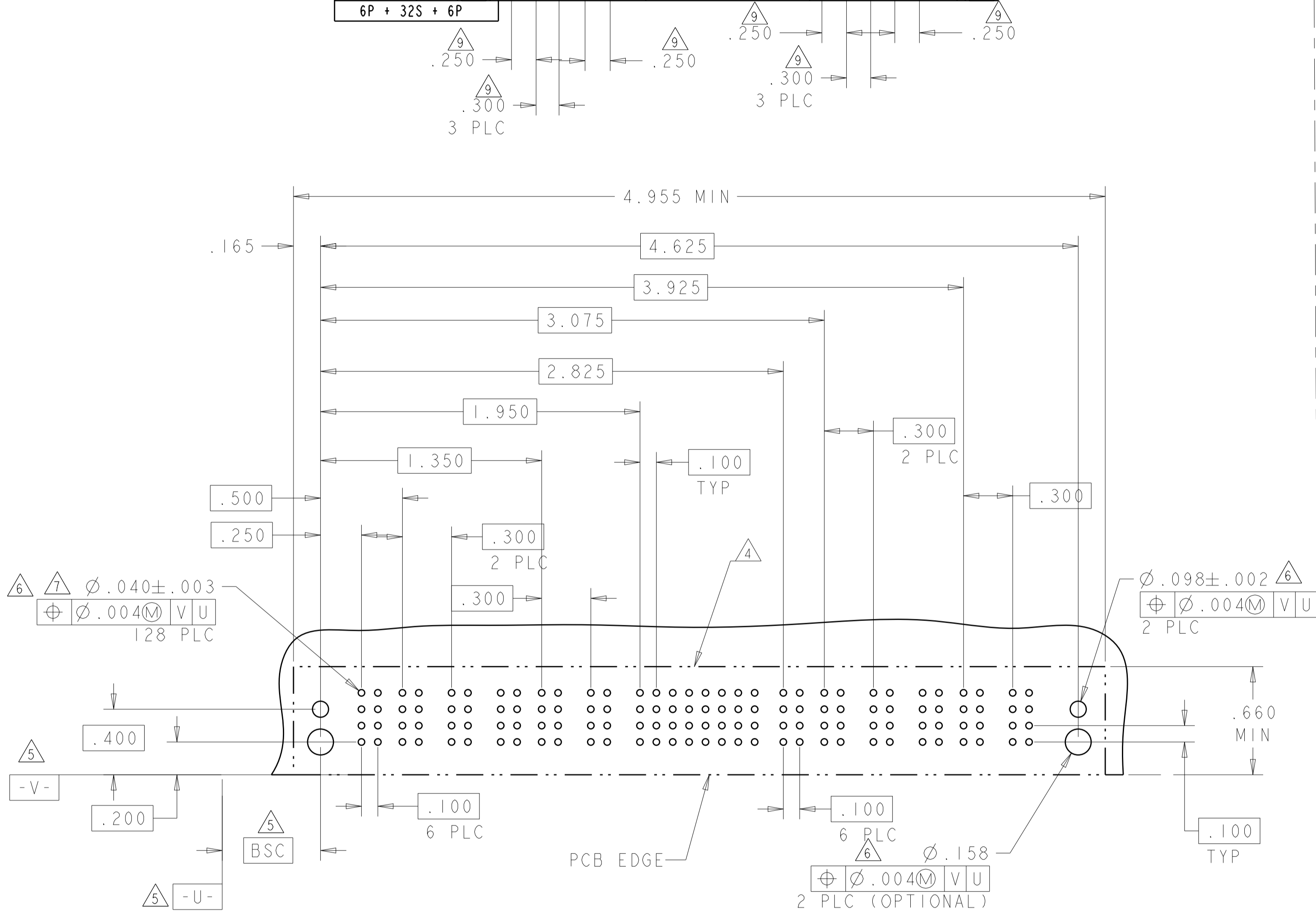
THE CONFIGURATION WITH VENT HOLES
 PART NO.: 1892108-4

THIS DRAWING IS A CONTROLLED DOCUMENT.		DMN C. ZHOU 19MAR2007	
DIMENSIONS: INCHES		CHK S. ZHAO 19MAY2007	
TOLERANCES UNLESS OTHERWISE SPECIFIED:		APVD S. YAO	NAME
0 PLC ±.	1 PLC ±.01	PRODUCT SPEC	RIGHT ANGLE HEADER ASSEMBLY
2 PLC ±.01	3 PLC ±.005	APPLICATION SPEC	W/END LATCHES
4 PLC ±.0020	ANGLES ±.0020	114-13251	MULTI-BEAM XLE
MATERIAL	FINISH	WEIGHT	SIZE CAGE CODE DRAWING NO
			A100779C=1892108
CUSTOMER DRAWING		SCALE 4:1	SHEET 2 OF 4

LOC	DIST	REVISIONS			
P	LTN	DESCRIPTION	DATE	DMN	APVD
ES	00	SEE SHEET 1			

PART NUMBER	ROWS	POWER						SIGNAL								POWER					
		P1	P2	P3	P4	P5	P6	1	2	3	4	5	6	7	8	P7	P8	P9	P10	P11	P12
1892108-1	D C B A	TM	TM	TM	TM	TM	TM	J	J	J	J	J	J	J	J	TM	TM	TM	TM	TM	TM
		S	S	S	S	S	S	N	N	N	N	N	N	N	N	S	S	S	S	S	S

PART NUMBER	ROWS	POWER		SIGNAL						POWER	
		P1	P2	1	2	3	4	5	6	P2	P1
1892108-2	D C B A	TM	TM	J	J	J	J	J	J	TM	TM
		S	S	N	N	N	N	N	N	S	S



CODE	DESCRIPTION	ROW
E	SIGNAL CONTACT,MLBF	D
F	SIGNAL CONTACT,MLBF	C
G	SIGNAL CONTACT,MLBF	B
H	SIGNAL CONTACT,MLBF	A
J	SIGNAL CONTACT,STD	D
K	SIGNAL CONTACT,STD	C
N	SIGNAL CONTACT,STD	B
S	SIGNAL CONTACT,STD	A
TM	STD PLUG POWER CONTACT	-

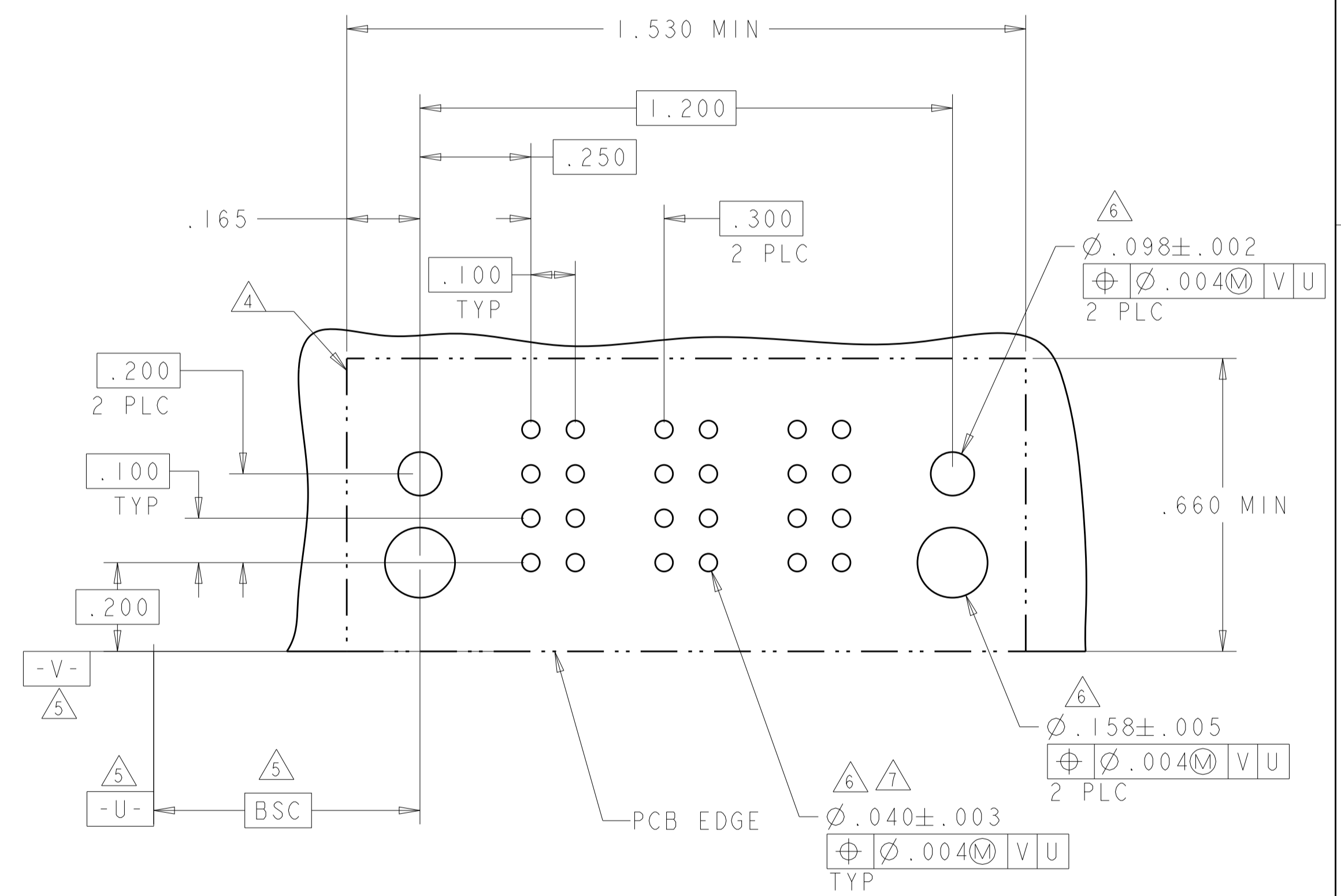
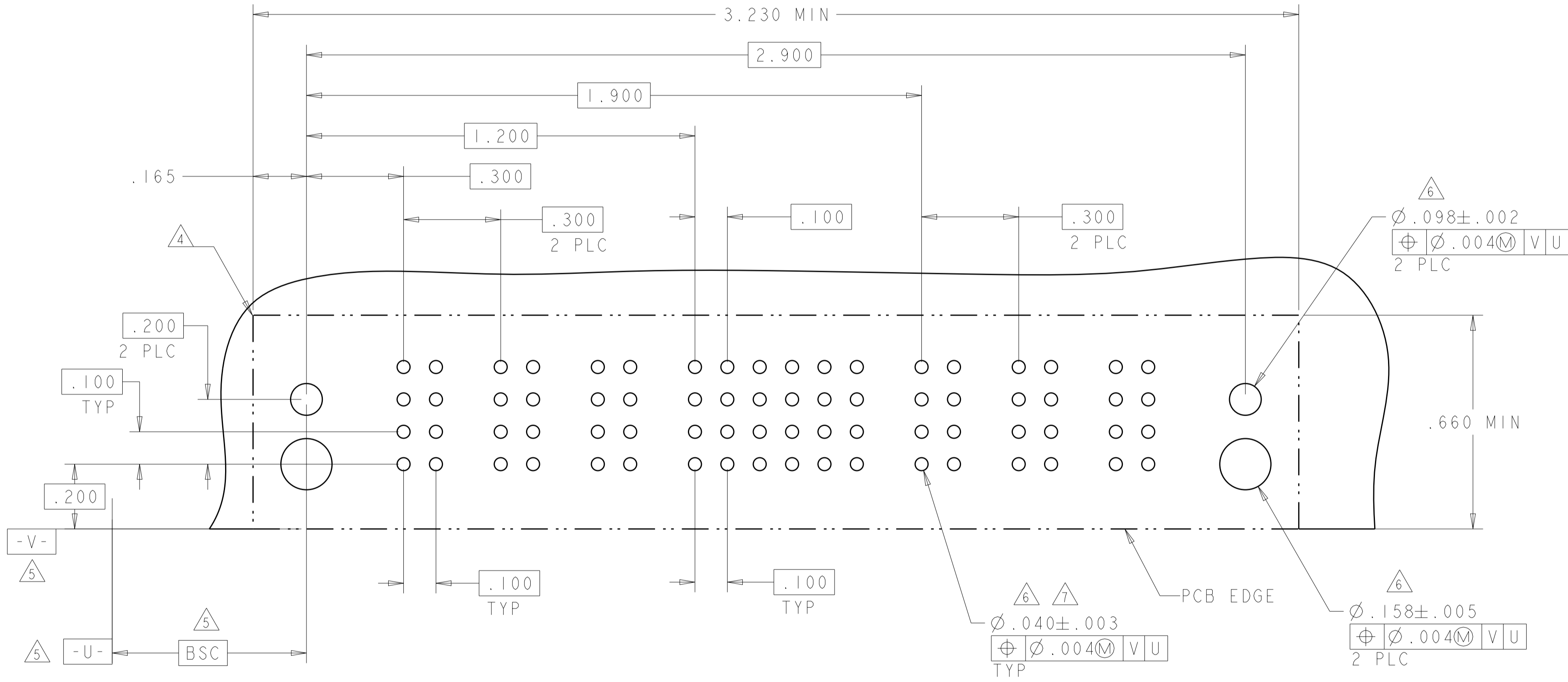
THIS DRAWING IS A CONTROLLED DOCUMENT.		DMN C. ZHOU CHK S. ZHAO APVD S. YAO	19MAR2007 19MAY2007	TE Connectivity RIGHT ANGLE HEADER ASSEMBLY W/END LATCHES MULTI-BEAM XLE
DIMENSIONS: INCHES	TOLERANCES UNLESS OTHERWISE SPECIFIED:	PRODUCT SPEC 108-2292	APPLICATION SPEC 114-13251	
MATERIAL	FINISH	WEIGHT	RESTRICTED TO	SIZE A100779
CUSTOMER DRAWING		SCALE 4:1	SHEET 3	OF 4
				REV A4

LOC	DIST	REVISIONS			
P	LTN	DESCRIPTION	DATE	DMN	APVD
-	-	SEE SHEET 1	-	-	-

PART NUMBER	ROWS	POWER			SIGNAL						POWER		
		P1	P2	P3	1	2	3	4	5	6	P4	P5	P6
1892108-4	D	TM	TM	TM	J	J	E	E	J	J	TM	TM	TM
	C				K	K	F	F	K	K			
	B				N	N	G	G	N	N			
	A				S	S	H	H	S	S			
3ACP + 24S + 3ACP		HD											HD

PART NUMBER	ROWS	POWER		
		P1	P2	P3
1892108-5	D	TM	TM	TM
	C			
	B			
	A			
3 ACP		HD		HD

A4



THIS DRAWING IS A CONTROLLED DOCUMENT.

DIMENSIONS: INCHES	TOLERANCES UNLESS OTHERWISE SPECIFIED: 0 PLC ±. 1 PLC ±.01 2 PLC ±.01 3 PLC ±.005 4 PLC ±.002 ANGLES ±.2°	DMN C. ZHOU 19MAR2007	CHK S. ZHAO 19MAY2007	APVD S. YAO	NAME RIGHT ANGLE HEADER ASSEMBLY W/END LATCHES MULTI-BEAM XLE
MATERIAL	FINISH	PRODUCT SPEC 108-2292	APPLICATION SPEC 114-13251	WEIGHT	SIZE A1
CUSTOMER DRAWING		SCALE 4:1		SHEET 4 OF 4	

REV A4

单击下面可查看定价，库存，交付和生命周期等信息

[>>TE Connectivity\(泰科\)](#)