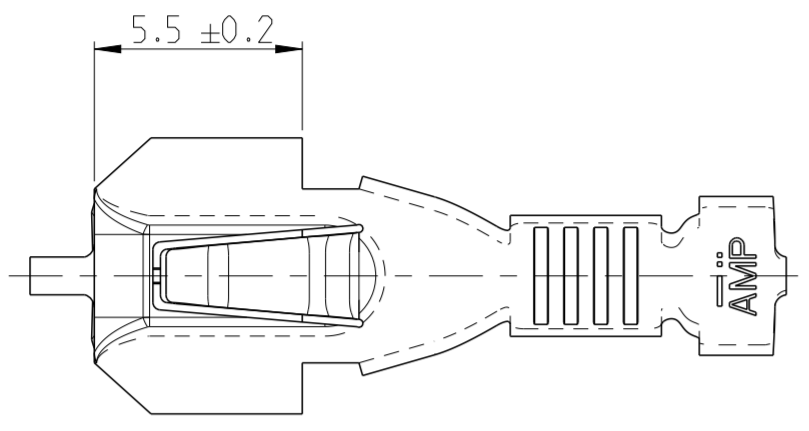
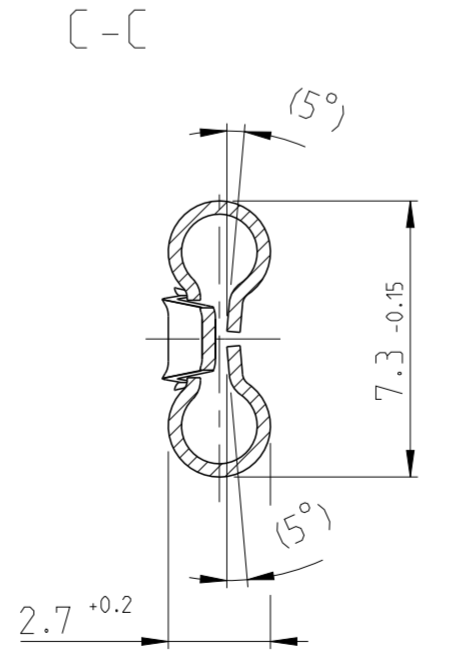
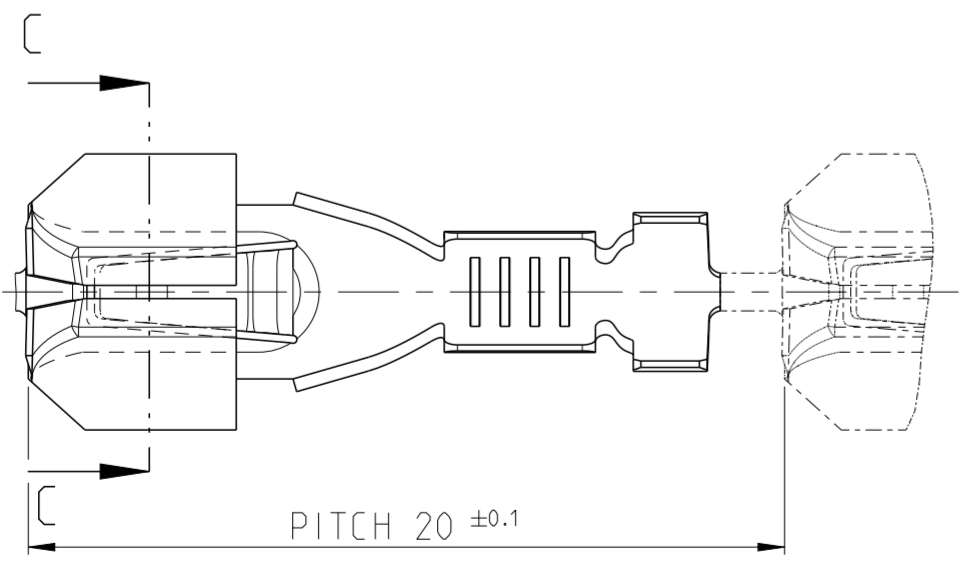
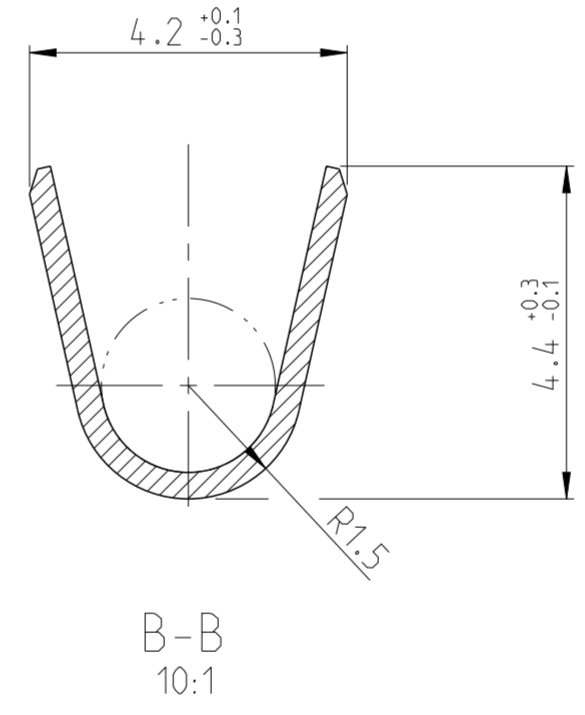
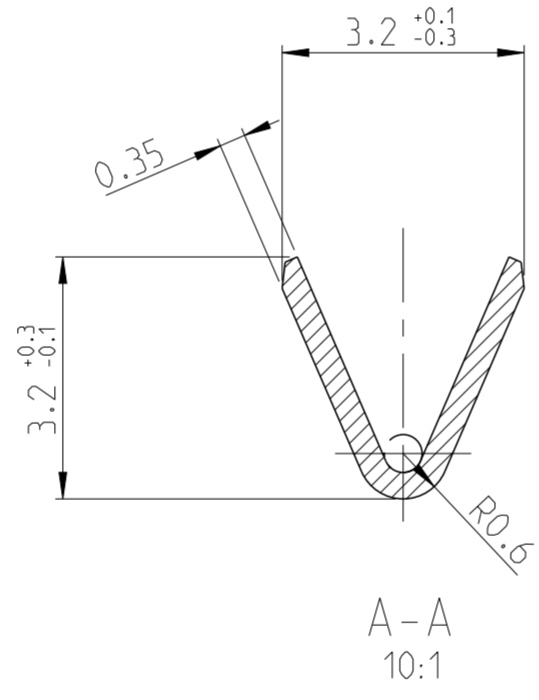
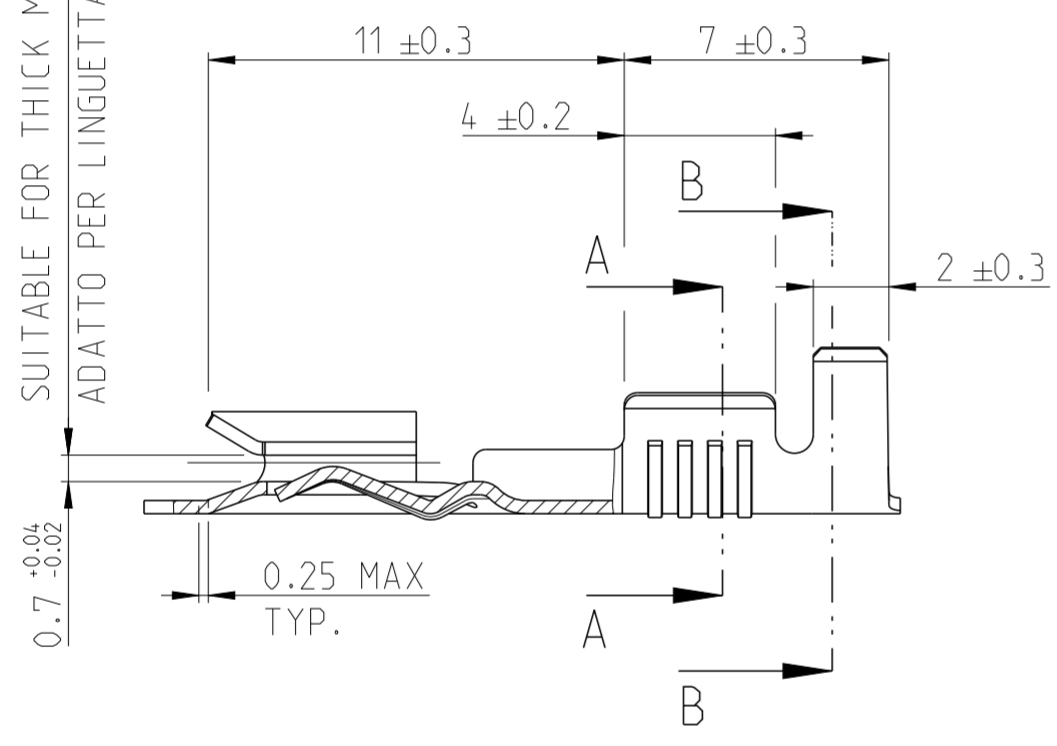


THIS DRAWING IS UNPUBLISHED. RELEASED FOR PUBLICATION 20  
 © COPYRIGHT 20 BY - ALL RIGHTS RESERVED.

REVISIONS				
P	LTR	DESCRIPTION	DATE	APVD
B		ECR-15-006775	30MAR2017	M.G. M.G.
B1		REDRAWN TO CREO	02MAY2017	GH JP



SUITABLE FOR THICK MALE TAB. 0.8  
 ADATTO PER LINGUETTA MASCHIO SPES. 0.8



- 1 SUPPLY STATUS: END TAPE WRAPPED UP IN CARDBOARD COIL (COIL ØEST. 260X160 LARG.)  
 STATO DI FORNITURA: TERMINALI IN NASTRO AVVOLTO SU BOBINA DI CARTONE (BOBINA ØEST. 260X160 LARG.)
- 2 DIRECTION OF OUTPUT COIL SENSO DI USCITA DELLA BOBINA

(WIRE) SWZ.FILO mm <sup>2</sup>	(INS. DIA. REDUCED) Ø IS. RID. FASE 3
0.50	1.5-1.7
0.75	1.7-1.9
1.0	1.9-2.1
1.5	2.2-2.4

(WIRE) SWZ.FILO mm <sup>2</sup>	(INS. DIA. STD) Ø ISOL. STD	(INS. DIA. REDUCED) Ø IS. RID. FASE 3
0.50	2.0-2.2	---
0.75	-	---
1.0	2.4-2.6	1.9-2.1
1.5	3.15-3.35	---

PRE-TINNED	PHOSPHOR BRONZE	0.5-1.5 (is. std.)	282308-1
FINISH / COLOUR	MATERAIL	WIRE RANGE (mm <sup>2</sup> )	TE PART NUMBER

THIS DRAWING IS A CONTROLLED DOCUMENT. DWN 16APR1992  
 C. IANNARELLI

DIMENSIONS: mm	TOLERANCES UNLESS OTHERWISE SPECIFIED:	APVD	NAME
0 PLC ±	1 PLC ±0.3	PRODUCT SPEC	108-20111
2 PLC ±	3 PLC ±	APPLICATION SPEC	114-20058
4 PLC ±	ANGLES ±2°	WEIGHT	-
MATERIAL	FINISH	CUSTOMER DRAWING	SCALE 5:1 SHEET 1 OF 1 REV B1

STE TE Connectivity  
 RECEPTACLE CONTACT FOR 5mm PITCH CONNECTOR. (STRIP FORM)

SIZE A2 CAGE CODE 00779 DRAWING NO C-282308 RESTRICTED TO

单击下面可查看定价，库存，交付和生命周期等信息

[>>TE Connectivity\(泰科\)](#)