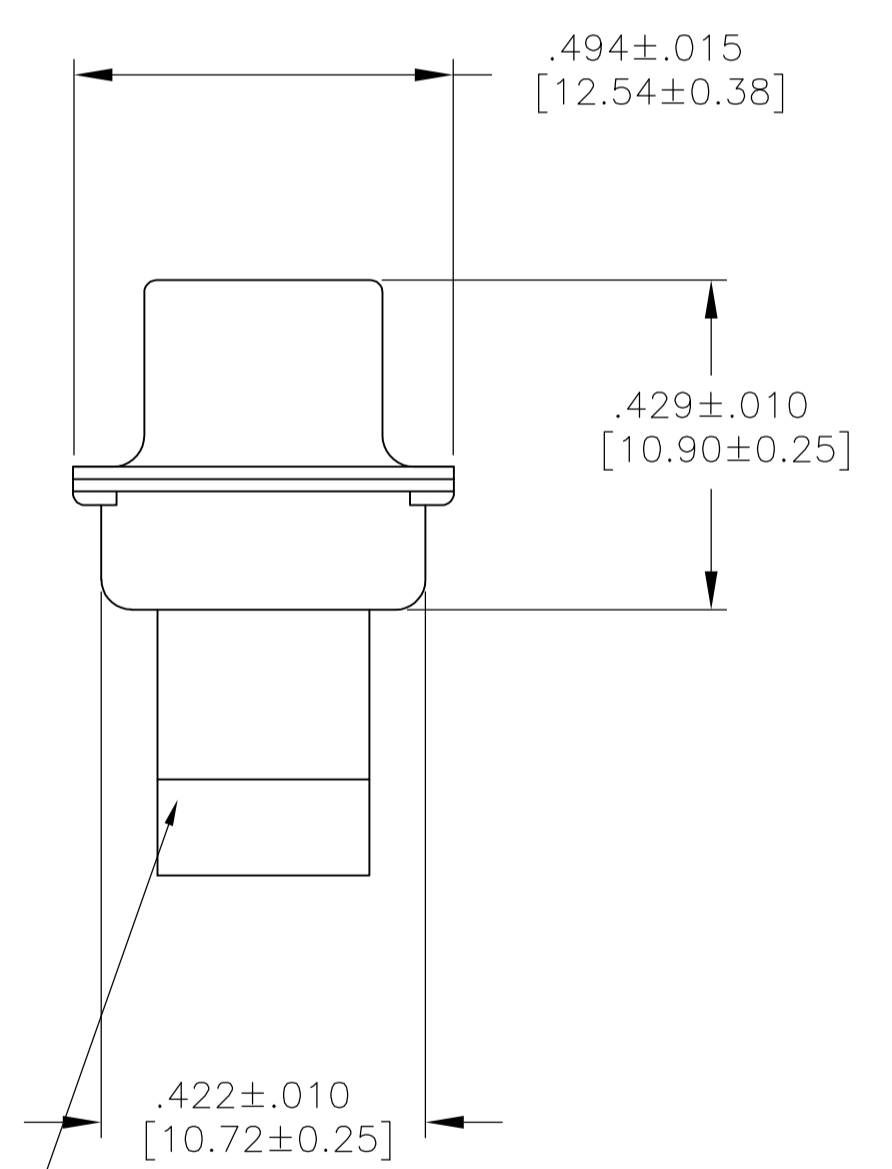
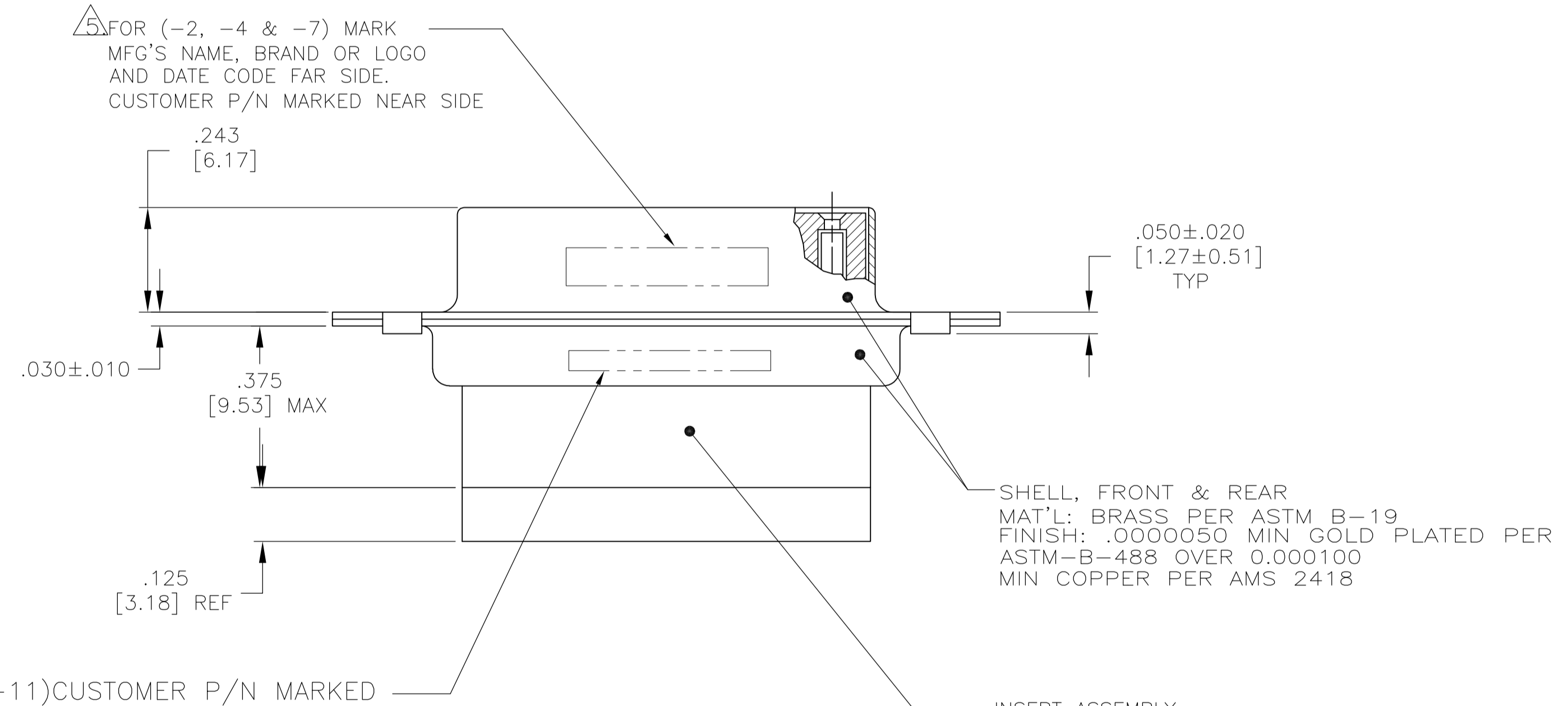
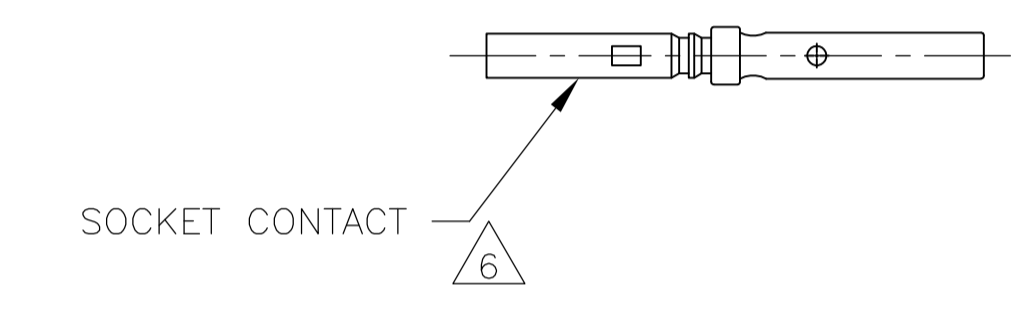


- THIS RECEPTACLE WILL MATE WITH ANY 26 POSN, SIZE 2 PLUG IN AMPLIMITE SERIES.
- BE-CU RETENTION CLIPS ARE INCLUDED IN INSERT AND INSTALLED WITH TINES POINTING TOWARDS MATING FACE.
- CONNECTOR SUPPLIED WITHOUT CONTACTS, SHOWN FOR ILLUSTRATION ONLY. SEE NOTE 6.
- OVERALL DIMENSIONS DO NOT INCLUDE RAISED CAVITY IDENTIFICATION.
- MARKING FAR SIDE REFERS TO WIDE SIDE OF KEYSTONE. NEAR SIDE REFERS TO NARROW SIDE OF KEYSTONE.
- SOCKET CONTACT (QTY=26) INCLUDED IN KIT. (-7 ONLY)
- 100% INSPECTION REQUIRED PER BOEING 1B01:
 - VISUAL
 - DWV
 - IR
- CUSTOMER REQUIRES SINGLE LOT DATE CODE.
- SPECIAL REQUIREMENTS:
 - TEST TWO CONNECTORS PER LOT FOR COMPLIANCE TO GROMMET PEEL STRENGTH REQUIREMENTS.
 - TEST ALL CIRCUIT CAVITIES FOR MISALIGNMENT OR EXCESSIVE ADHESIVE.



FOR (-1 & -11) CUSTOMER P/N MARKED ON FAR SIDE. MANUFACTURER'S NAME, BRAND OR LOGO AND MANUFACTURER'S PART NO AND DATE CODE MARKED ON NEAR SIDE. FOR (-2, -4 & -7) MARK MFG'S P/N FAR SIDE.

FOR (-2, -4 & -7) MARK MFG'S NAME, BRAND OR LOGO AND DATE CODE FAR SIDE. CUSTOMER P/N MARKED NEAR SIDE

INSERT ASSEMBLY POLYPHENYLENE SULFIDE (PPS) GST-40-F PER MIL-M-24519 OR GLASS FILLED POLYESTER TPES013G30 PER ASTM-D-5927

SHELL, FRONT & REAR MAT'L: BRASS PER ASTM B-19 FINISH: .0000050 MIN GOLD PLATED PER ASTM-B-488 OVER 0.000100 MIN COPPER PER AMS 2418

GROMMET MATERIAL: SILICONE RUBBER

REMARKS	DESCRIPTION	PART NO
-	SAME AS -1 EXCEPT CUSTOMER PART NO. 1B01-026RHW MARKED	1-211668-1
6	SAME AS -1 EXCEPT FORD PART NO. B010648-0004 MARKED	211668-7
-	SAME AS -1 EXCEPT NO CUSTOMER PART NO MARKED	211668-4
-	SAME AS -1 EXCEPT WITH TRW PART NUMBER 2A065-020V-001 MARKED	211668-2
-	AS SHOWN-WITH HUGHES PART NO 1B01-026 MARKED	211668-1

THIS DRAWING IS A CONTROLLED DOCUMENT.

DIMENSIONS: INCHES (mm)	TOLERANCES UNLESS OTHERWISE SPECIFIED:	0 PLC ± -	1 PLC ± -	2 PLC ± -	3 PLC ± .005 [0.13]	4 PLC ± -	ANGLES ± -
-------------------------	--	-----------	-----------	-----------	---------------------	-----------	------------

MATERIAL: SEE CALLOUTS FINISH: SEE CALLOUTS WEIGHT: -- SIZE: A1 CAGE CODE: 00779 DRAWING NO: 211668 RESTRICTED TO: --

CUSTOMER DRAWING SCALE: 4:1 SHEET: 1 OF 1 REV: --

APPROVED: D. MILLER DATE: 30JUN06
 DESIGNED: P. YEAGER DATE: 26JUN06
 NAME: RECEPTACLE ASSEMBLY, AMPLIMITE 26 POSITION, SIZE 2, SERIES 90, NON-MAGNETIC, SPECIAL WITH GROMMET

单击下面可查看定价，库存，交付和生命周期等信息

[>>TE Connectivity\(泰科\)](#)