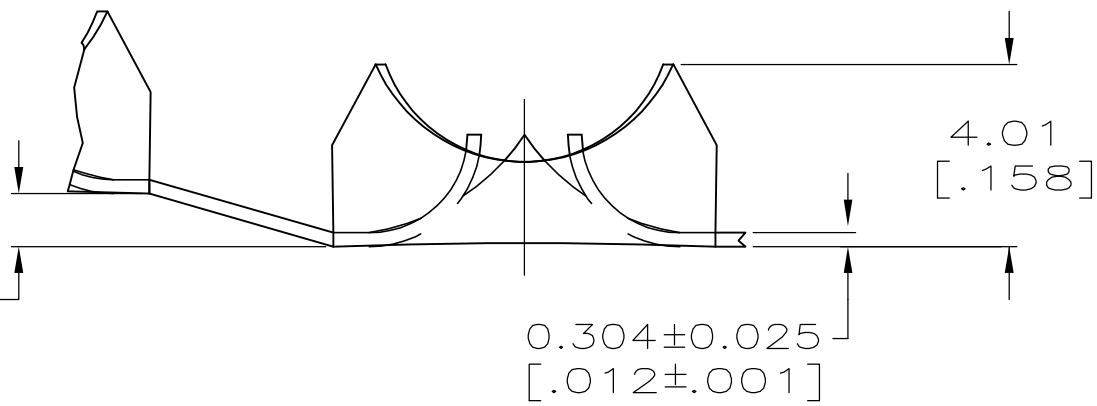
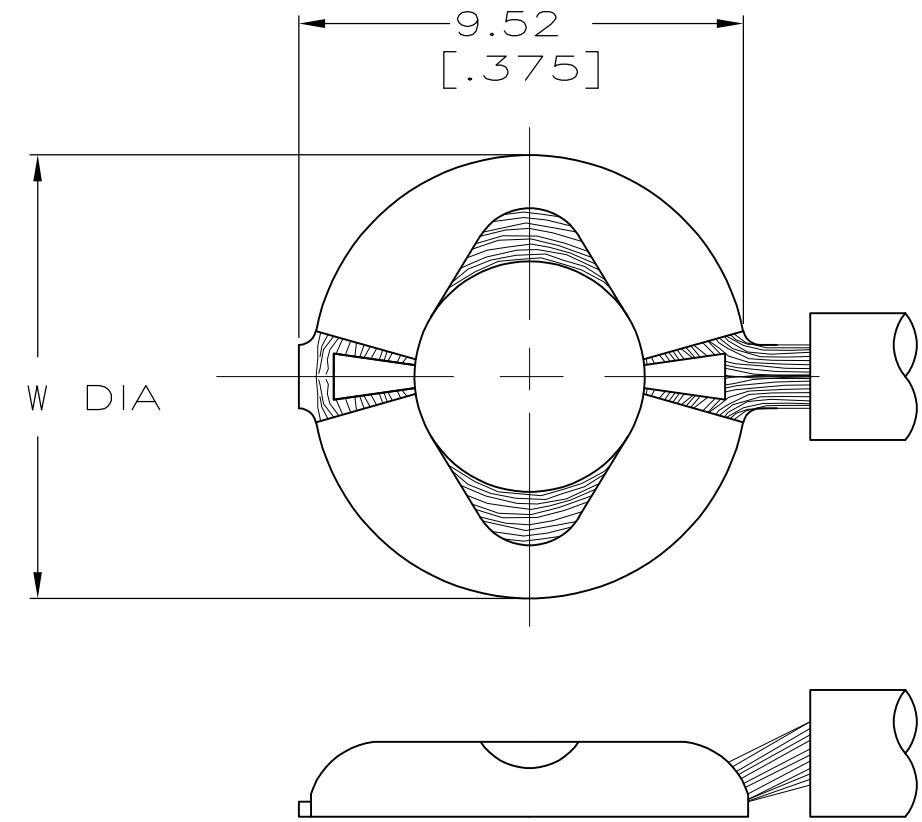
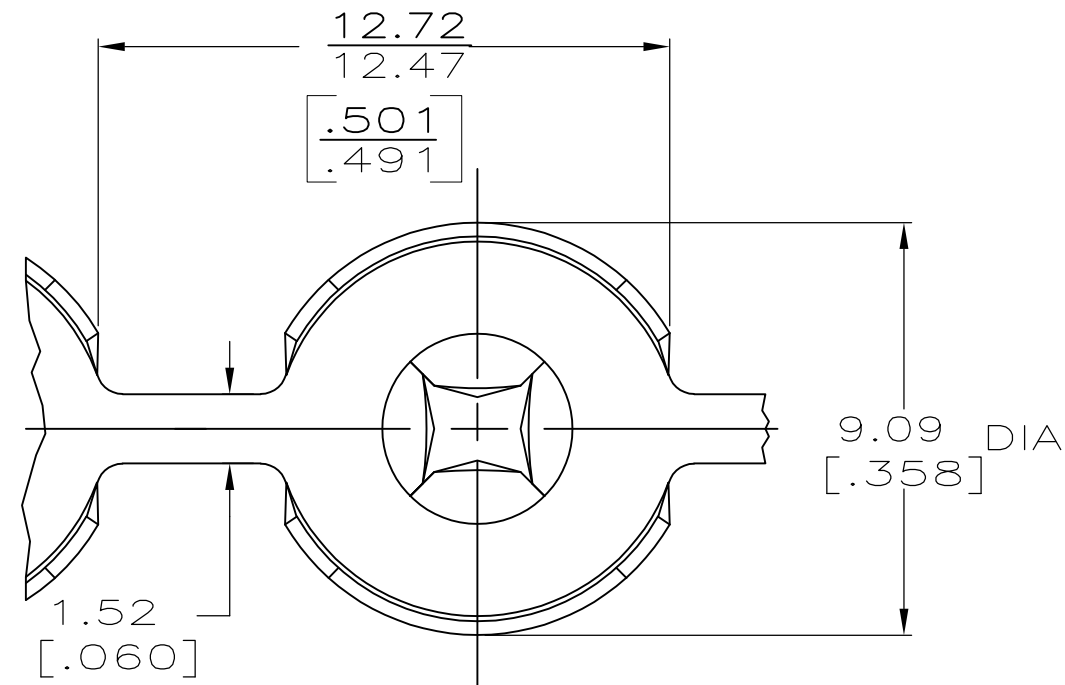


THIS DRAWING IS UNPUBLISHED. RELEASED FOR PUBLICATION
 © COPYRIGHT BY TYCO ELECTRONICS CORPORATION. ALL INTERNATIONAL RIGHTS RESERVED.

LOC	DIST	REVISIONS					
AF	50	P	LTR	DESCRIPTION	DATE	DWN	APVD
		AA1		REVISED PER ECR 10-007002	31MAR10	JR	PD

1 CONTINUOUS STRIP ON REELS
 2 PRELIMINARY - NOT FOR PRODUCTION



8.84 [.348]	4.93 [.194]	40629-1 D	40629 D
9.78 [.385]	5.31 [.209]	40629-1 C	40629 C
9.78 [.385]	4.93 [.194]	40629-1 B	40629 B
9.78 [.385]	4.62 [.182]	40629-1 A	40629 A
W	0.13 HOLE DIA ± [.005]	WITH PAPER	NO PAPER
		TOOLING DESIGNATION FOR APPLICATOR	

WITH INTERLEAFING PAPER	0.8mm ² -2.0mm ²	2 40629-1
STANDARD	[18-14] AWG	40629
REELING	WIRE SIZE	PART NO.

THIS DRAWING IS A CONTROLLED DOCUMENT.		DWN P FORTNEY 1/26/90	Tyco Electronics Corporation Harrisburg, PA 17105-3608	
DIMENSIONS: INCHES		CHK MS FEHER 1/26/90	NAME EYELET, CROWN CRIMP	
TOLERANCES UNLESS OTHERWISE SPECIFIED:		APVD G YETTER 1/26/90	SIZE A3 CAGE CODE 00779 DRAWING NO C-40629	
0 PLC ± -		PRODUCT SPEC -	RESTRICTED TO -	
1 PLC ± -		APPLICATION SPEC -	SCALE 6:1 SHEET 1 OF 1 REV AA1	
2 PLC ± -		WEIGHT -	CUSTOMER DRAWING	
3 PLC ± 0.38 [.015]				
4 PLC ± -				
ANGLES ± -				
FINISH -				
MATERIAL #1 HARD BRASS				

单击下面可查看定价，库存，交付和生命周期等信息

[>>TE Connectivity\(泰科\)](#)