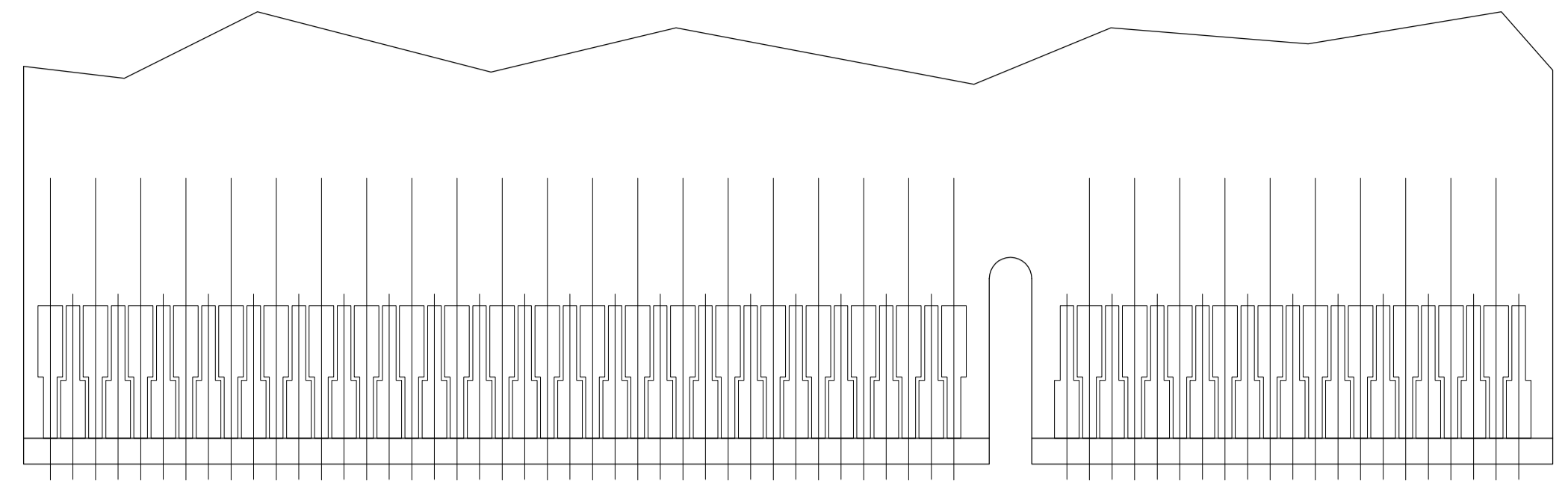


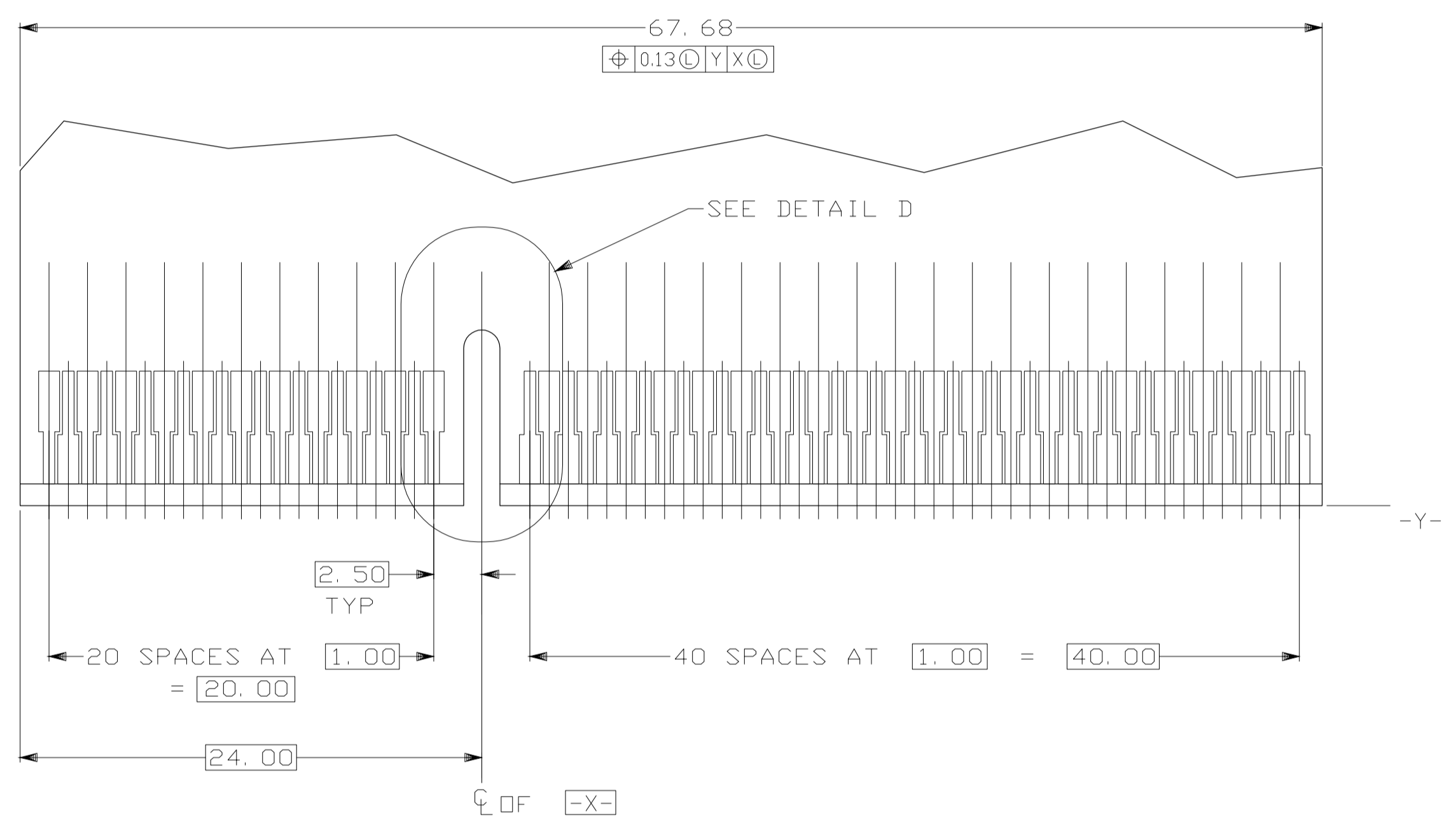
- ① MATERIAL: HOUSING, THERMOPLASTIC, COLOR: BROWN.
CONTACTS, PHOSPHOR BRONZE.
HOLD-DOWNS, BRASS.
- ② FINISH: CONTACTS, 1.27 MIN. MICROMETERS NICKEL ALL OVER,
0.38 MIN. MICROMETERS GOLD OVER NICKEL IN CONTACT AREA,
2.54 MIN MICROMETERS TIN OVER NICKEL ON SOLDER TAILS.
- ③ FINISH: CONTACTS, 1.27 MIN. MICROMETERS NICKEL ALL OVER,
0.0254-0.0762 MICROMETERS GOLD OVER NICKEL IN CONTACT AREA.
2.54 MIN. MICROMETERS TIN OVER NICKEL ON SOLDER TAILS.
- ④ FINISH: CONTACTS, 1.27 MIN. MICROMETERS NICKEL ALL OVER,
0.38 MIN. MICROMETERS GOLD OVER NICKEL IN CONTACT AREA,
0.05-0.15 MICROMETERS GOLD OVER NICKEL ON CONTACT SOLDER TAILS.

VERGIN MATERIAL FOR HOUSING	②	2.54	5145263-8
	④	2.54	5145263-7
	③	3.18	5145263-6
	②	2.54	5145263-5
	②	3.18	5145263-3
	②	2.54	5145263-2
	②	2.16	5145263-1
PLATING	W		PART NO

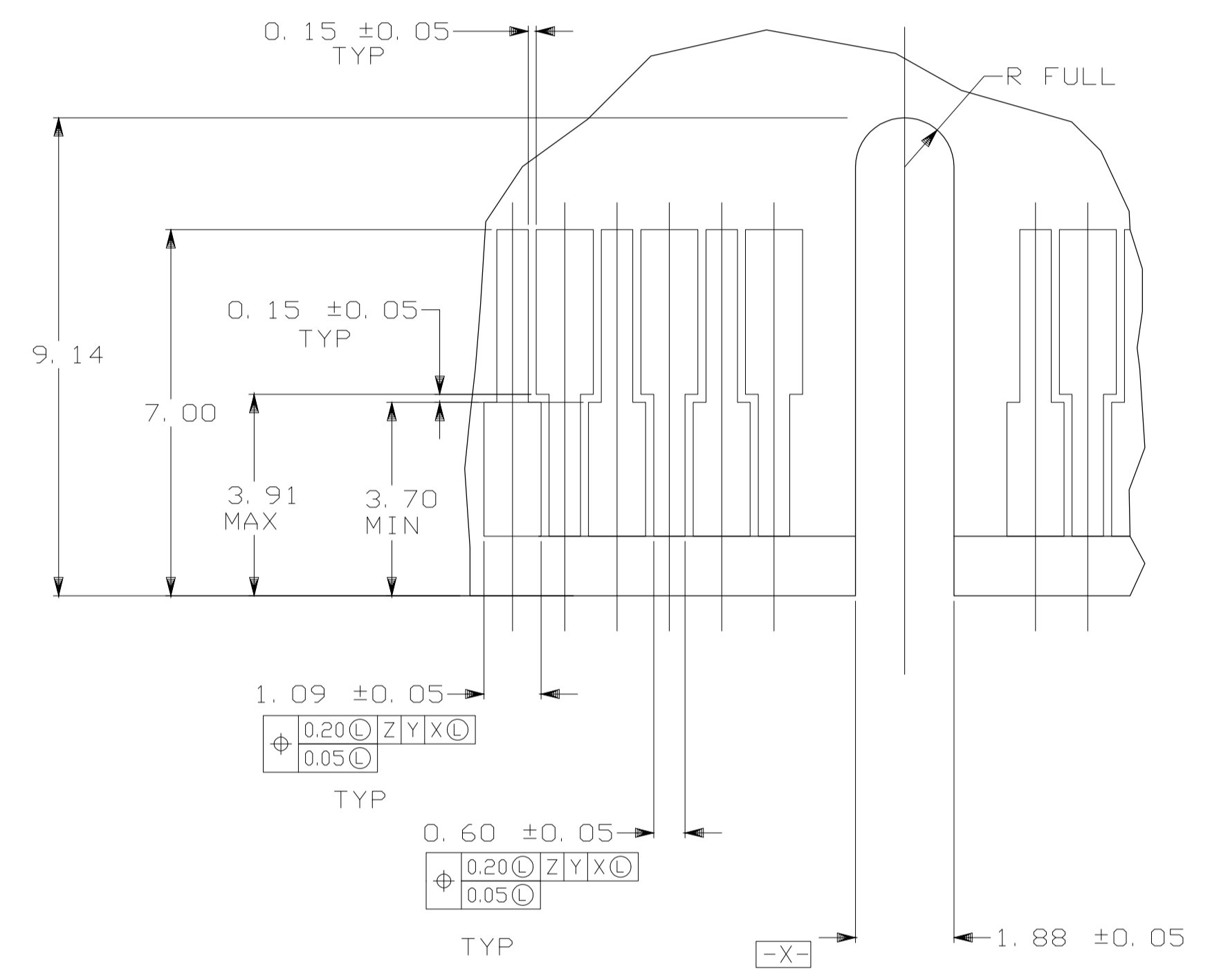
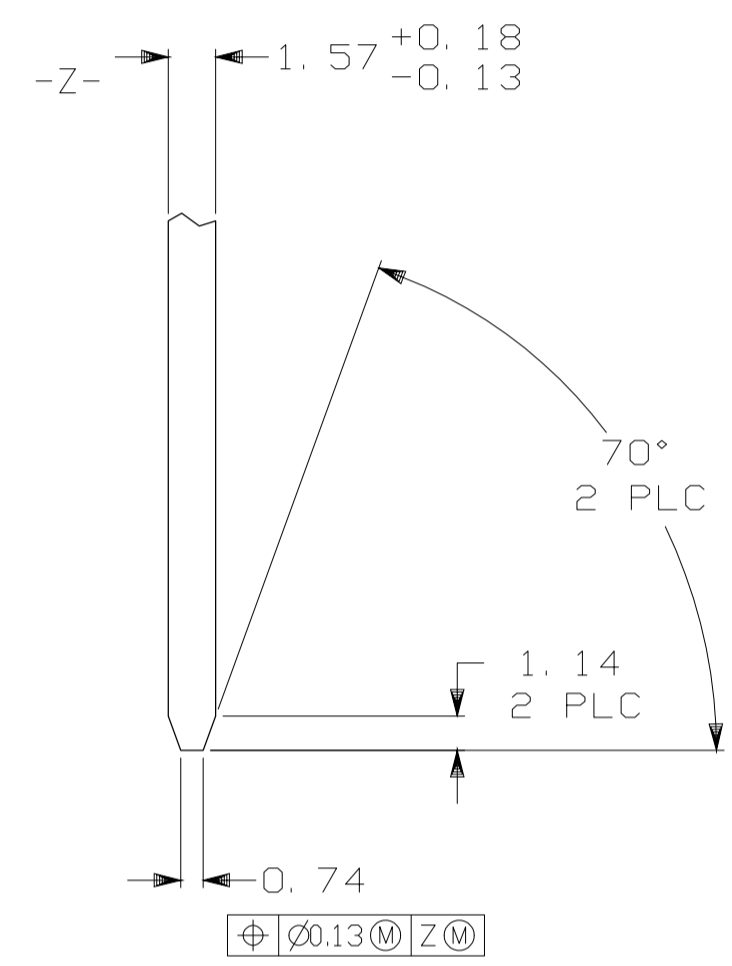
THIS DRAWING IS A CONTROLLED DOCUMENT.		DMN: GAVIN ZHANG 23NOV04	Tyco Electronics Corporation Shanghai, P.R.China, 200233
		CHK: STEVEN YAO 23NOV04	
DIMENSIONS: mm	TOLERANCES UNLESS OTHERWISE SPECIFIED:	APVD: J. ENOMOTO 23NOV04	NAME: ASSEMBLY, 124 POSITION 1mm, CARD EDGE CONNECTOR
0 PLC ± -	1 PLC ± -	PRODUCT SPEC	
2 PLC ± 0.13	3 PLC ± -	APPLICATION SPEC	
4 PLC ± -	ANGLES ± °	SIZE: A1	CAGE CODE: 00779
MATERIAL: ①	FINISH: ②, ③	WEIGHT: -	DRAWING NO: 5145263
		CUSTOMER DRAWING	RESTRICTED TO: -
		SCALE: 4:1	SHEET: 1 OF 2
			REV: A1



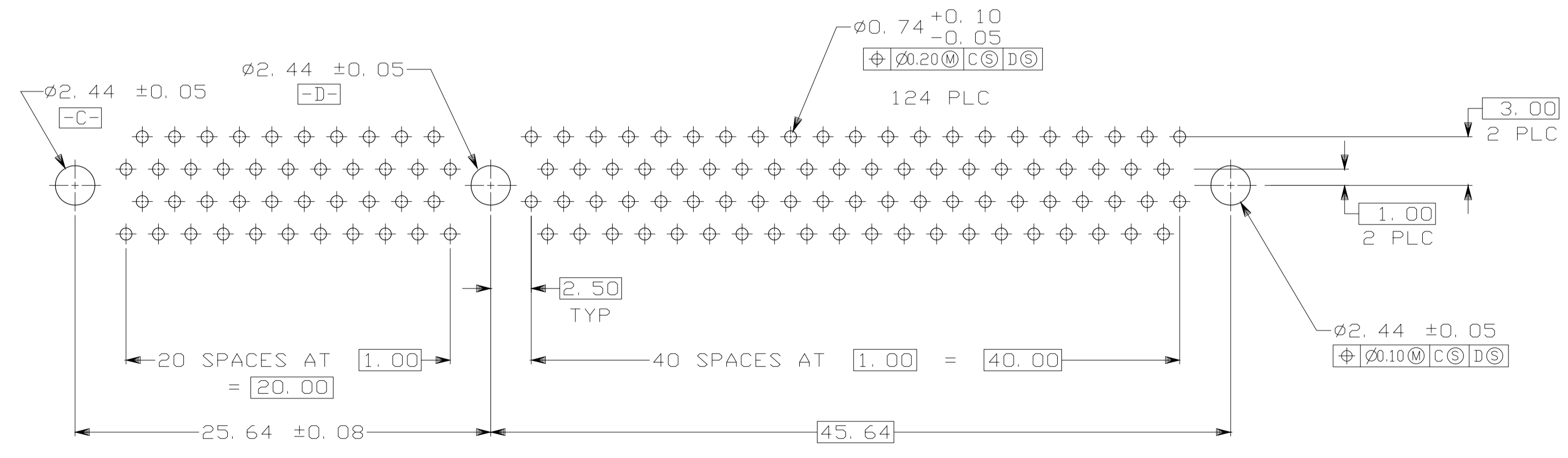
RECOMMENDED CONNECTOR MATING PAD PATTERN
 (SECONDARY SIDE SHOWN)



RECOMMENDED CONNECTOR MATING PAD PATTERN
 (PRIMARY SIDE SHOWN)



DETAIL D
 SCALE 10:1



RECOMMENDED CONNECTOR MOUNTING HOLE PATTERN
 (CONNECTOR SIDE SHOWN)

THIS DRAWING IS A CONTROLLED DOCUMENT.		DN GAVIN ZHANG 23NOV04	Tyco Electronics Tyco Electronics Corporation Shanghai, P.R.China, 200233
DIMENSIONS: mm		CHK STEVEN YAO 23NOV04	
TOLERANCES UNLESS OTHERWISE SPECIFIED:		APVD I. ENOMOTO 23NOV04	NAME ASSEMBLY, 124 POSITION 1mm, CARD EDGE CONNECTOR
0 PLC ± - 1 PLC ± - 2 PLC ± 0.13 3 PLC ± - 4 PLC ± - ANGLES ± °		APPLICATION SPEC	SIZE A1
MATERIAL		WEIGHT	CAGE CODE 00779
		FINISH	DRAWING NO. 5145263
			RESTRICTED TO
			CUSTOMER DRAWING
			SCALE 4:1 SHEET 2 OF 2 REV A1

单击下面可查看定价，库存，交付和生命周期等信息

[>>TE Connectivity\(泰科\)](#)