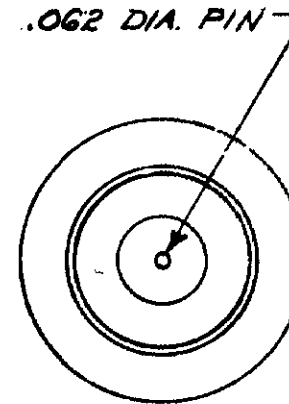
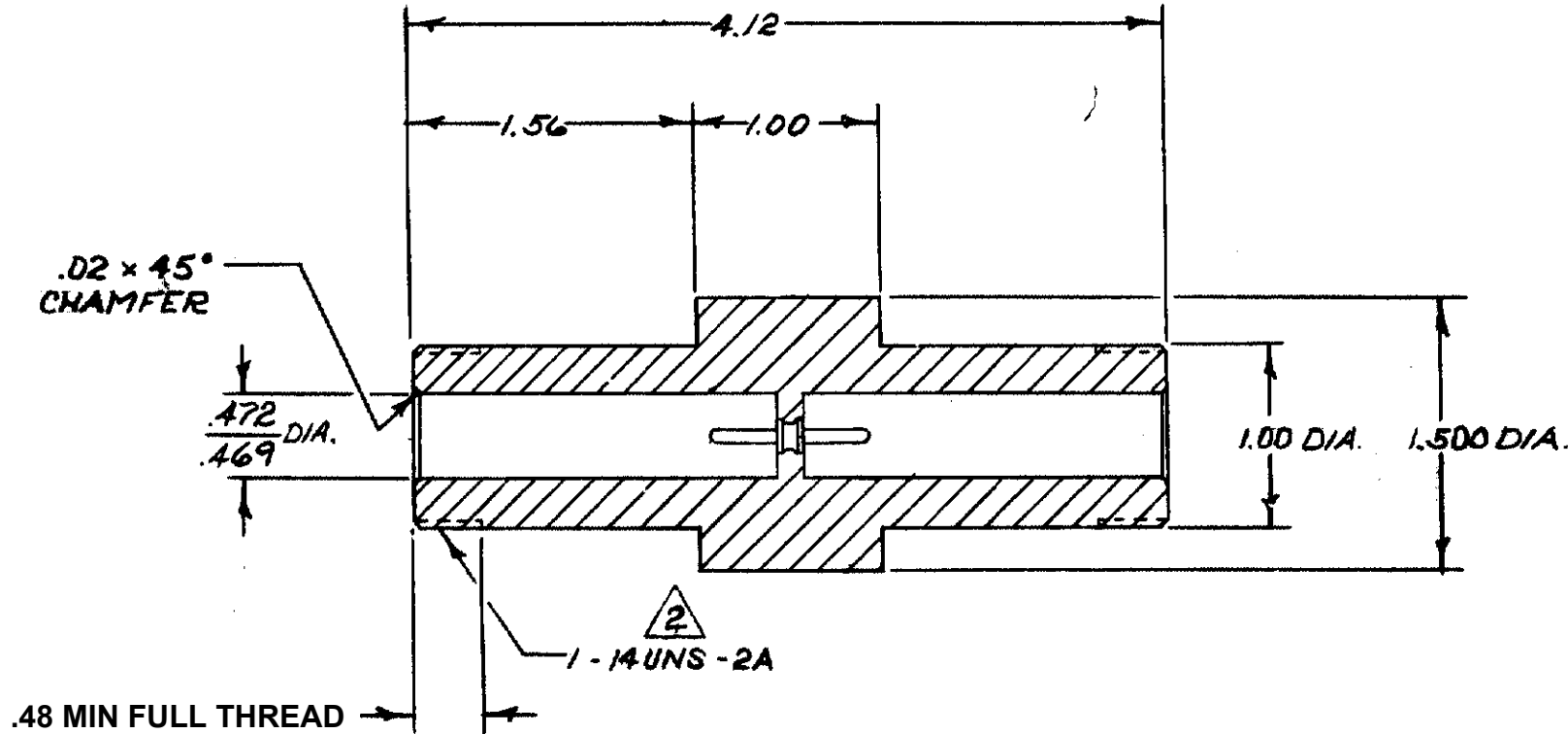


DRAWING MADE IN AMERICAN PROJECTION

© 1973 BY AMP INCORPORATED. ALL RIGHTS RESERVED. AMP PRODUCTS COVERED BY PATENTS AND/OR PATENTS PENDING.

THIS PRODUCT DESIGNED AND BUILT BY AMP INCORPORATED. NO LICENSE TO USE THAT DESIGN IN MANUFACTURE, OR TO USE ANY ISSUED OR PENDING PATENTS WHICH ARE INVOLVED, IS IMPLIED.

REVISIONS				
ZONE	LTR	DESCRIPTION	DATE	APPROVED
	D	REV. / REDRAWN	DLA 2-9-73	[Signature]
	E	UP-DATED ECN 8333 R.G.R.	6/1/78	[Signature]
	F	REV PER E.C.N S-3960	9-10-87	RB
	G	ECO-12-009412	PY 6-21-12	DE



1. RECEPTACLE TO MATE WITH AMP LGH-4 LEAD ASSEMBLY. AVAILABLE SEPARATELY.

2. PER FEDERAL STANDARD H-28 3 WIRE METHOD, DIMENSION OVER WIRES TO BE: .9975-1.0186.

840467-2	AS SHOWN; WITH GOLD PLATED PIN PER MIL-G45624 TYPE II, CLASS 3
840467-1	AS SHOWN; WITH TIN PLATED PIN PER MIL-T-10727 TYPE I OR II, .0001 THK.

QTY REQD	QTY REQD	ITEM NO.	DWG SIZE	PART OR IDENTIFYING NO.	NOMENCLATURE OR DESCRIPTION	SYMBOL
-2	-1					

PARTS LIST				UNLESS OTHERWISE SPECIFIED: DIMENSIONS ARE IN INCHES TOLERANCES .00 = ±.015 ANGLES = .000 = ±.005		CONTRACT NO. DR C. E. DORWART		AMP INCORPORATED CAPITRON DIVISION, ELIZABETHTOWN, PENNSYLVANIA		
				MATERIAL: MOLDED GLASS EPOXY	CHK	NAME CONNECTOR, FEED-THRU ASS'Y. FOR SPLICE APPLICATIONS LGH-4				
				FINISH: BLACK	APPD J.W. GAW	DSGN APPD	SIZE B	CODE IDENT NO. 89110	NUMBER 840467	REV G
NEXT ASSY	FINAL ASSY	NEXT ASSY	USED ON		OTHER APPD	SCALE	WT	SHEET 1 OF 1		
QTY REQD	APPL. CATION									

PRINT DIST L 137

单击下面可查看定价，库存，交付和生命周期等信息

[>>TE Connectivity\(泰科\)](#)