

THIS DRAWING IS UNPUBLISHED.

RELEASED FOR PUBLICATION 20

© COPYRIGHT 20

ALL RIGHTS RESERVED.


REVISIONS

P	LTR	DESCRIPTION	DATE	DWN	APVD
	F	REVISED PER ECO-17-014200	26SEP2017	JPS	JLM
	G	ADDED 2--4; 2--5 ECO-18-001995	30JAN2018	CR	JLM
	H	REVISED PER ECO-18-003884	12MAR2018	AP	JLM
	H2	REVISED PER ECO-19-013922	05SEP2019	SJ	JH

NOTES: UNLESS OTHERWISE SPECIFIED.

- 1 MINI COAX CABLE DIAMETER 1.13 mm TERMINATED WITH U.FL CONNECTOR OR MHF4L SEE TABLE.
- 2. PRODUCT AND PROCESSING MEETS REQUIREMENTS OF TE CONNECTIVITY ENVIROMENTAL STANDARD TEC-138-702.
- 3 4 DIGIT DATE CODE.
- 4. FOR DESIGNS UTILIZING 1513472-1 OR 1513472-5 PLEASE SEE TYCO ELECTRONICS DSI513472-1 OR DSI513472-5 RESPECTIVELY.
- 5 FOAM LOCATED INTERNAL ABOVE ANTENNA ELEMENT.

5	-	830±5.0	BLACK	UAM W U.FL+FOAM	2-1513472-6
-	-	500±5.0	GRAY	UAM W MHF4L	2-1513472-5
-	-	500±5.0	BLACK	UAM W MHF4L	2-1513472-4
-	-	600±5.0	BLACK	UAM W MHF4L	2-1513472-3
-	-	210±5.0	BLACK	UAM W MHF4L	2-1513472-0
-	-	85±5.0	GRAY	UAM W MHF4L	1-1513472-9
-	-	210±5.0	BLACK	UAM W U.FL	1-1513472-8
5	-	360±5.0	BLACK	UAM W U.FL+FOAM	1-1513472-7
5	-	250±5.0	BLACK	UAM W U.FL+FOAM	1-1513472-6
-	-	270±5.0	BLACK	UAM W MHF4L	1-1513472-5
-	-	130±5.0	GRAY	UAM W MHF4L	1-1513472-4
-	-	360±5.0	BLACK	UAM W MHF4L	1-1513472-3
-	-	80±5.0	BLACK	UAM W U.FL	1-1513472-2
-	-	345±5.0	BLACK	UAM W U.FL W PROT-TUBE	1-1513472-0
-	-	235±5.0	WHITE	UAM W U.FL	1513472-9
-	-	250±5.0	BLACK	UAM W U.FL	1513472-8
-	X	590±10.0	BLACK	UAM W U.FL+HS SHEET3	1513472-7
-	-	265±5.0	BLACK	UAM W U.FL	1513472-6
-	-	360±5.0	BLACK	UAM W U.FL	1513472-5
-	-	595±5.0	BLACK	UAM W U.FL	1513472-1
FOAM	HEAT SHRINK	CABLE LENGTH "A"	CABLE COLOR	DESCRIPTION CONNECTOR	PART NUMBER

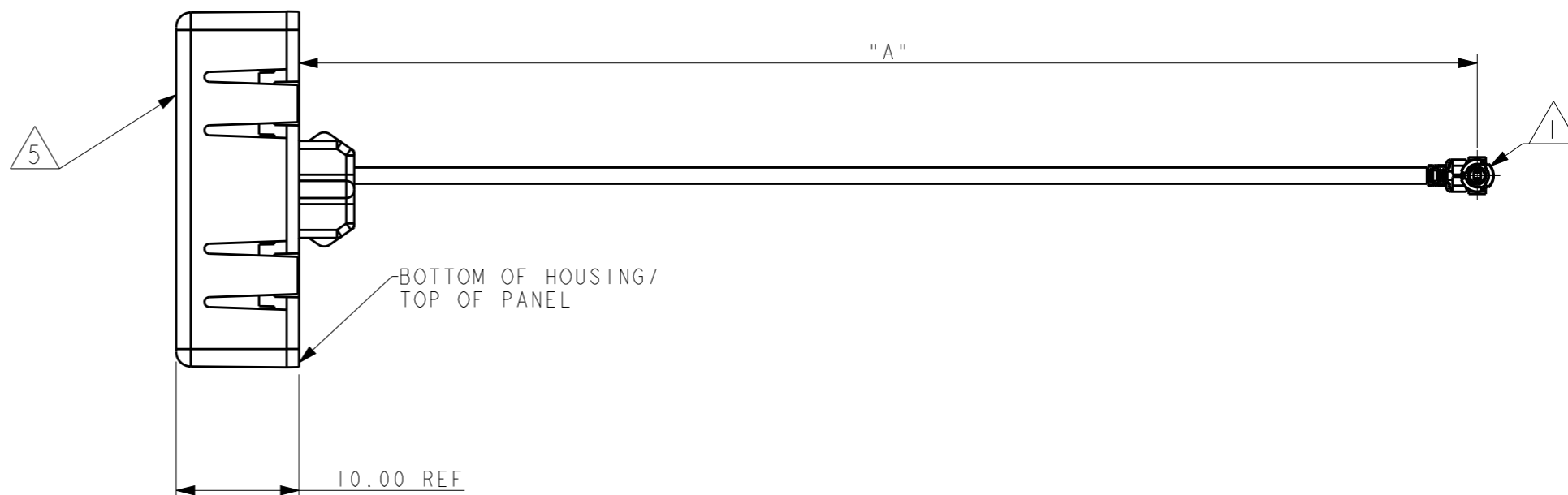
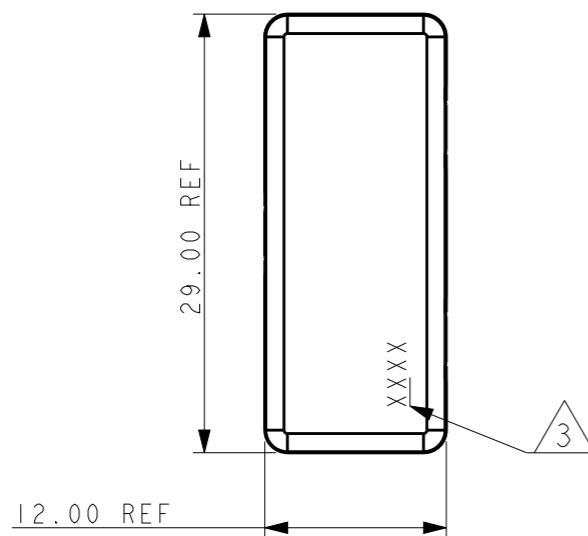
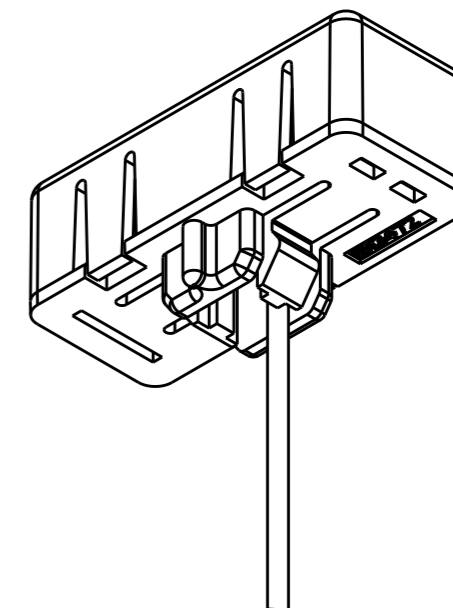
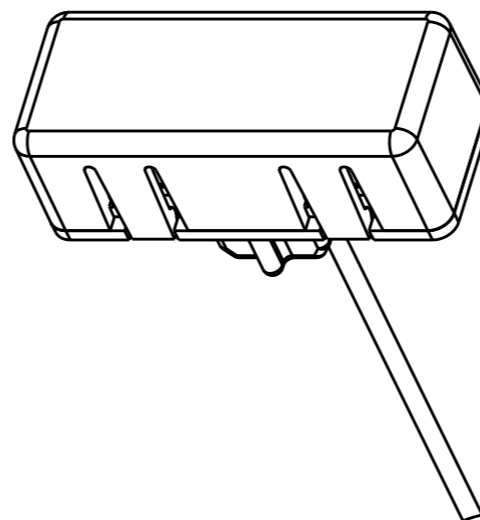
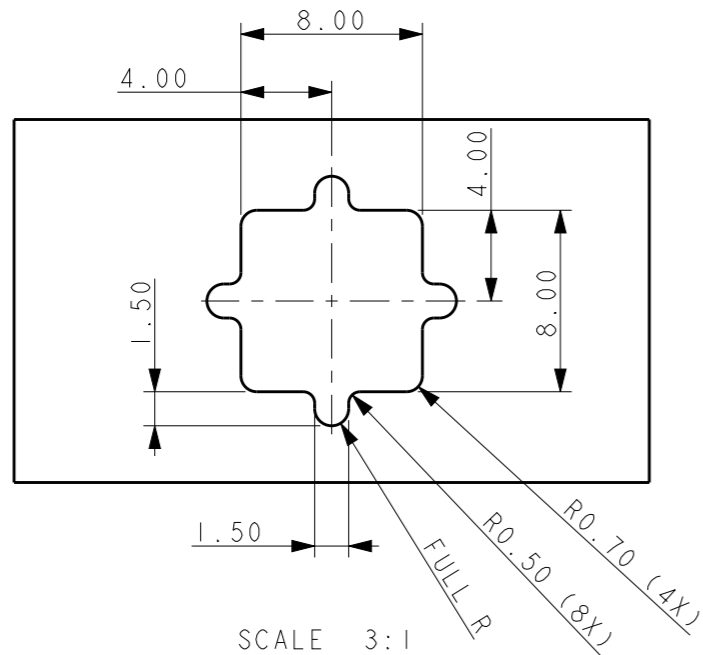
THIS DRAWING IS A CONTROLLED DOCUMENT.		DWN APV	25FEB2009	 TE Connectivity	
DIMENSIONS: mm		CHK	-		
TOLERANCES UNLESS OTHERWISE SPECIFIED:		APVD	-	NAME UNIVERSAL ANTENNA MODULE (UAM) WLAN	
0 PLC ±-		PRODUCT SPEC	-	SIZE	
1 PLC ±-		APPLICATION SPEC	-	CAGE CODE	DRAWING NO
2 PLC ±-		WEIGHT	-	A300779	1513472
3 PLC ±-		CUSTOMER DRAWING	-	SCALE	SHEET
4 PLC ±-				1:1	1 OF 3
ANGLES ±-					REV H2
FINISH					
MATERIAL					


REVISIONS

P	LTR	DESCRIPTION	DATE	DWN	APVD
-	-	SEE SHEET 1	-	-	-

PANEL CUTOUT DIMENSIONS

(Tolerances .XX ±0.10)  
0.8mm MAX THICKNESS



THIS DRAWING IS A CONTROLLED DOCUMENT.		DWN APV	25FEB2009	 <b>TE Connectivity</b>	
DIMENSIONS: mm		CHK	-		
TOLERANCES UNLESS OTHERWISE SPECIFIED:		APVD	-	NAME UNIVERSAL ANTENNA MODULE (UAM) WLAN	
0 PLC ±-		PRODUCT SPEC	-	SIZE	
1 PLC ±-		APPLICATION SPEC	-	CAGE CODE	DRAWING NO
2 PLC ±-		WEIGHT	-	A300779	C-1513472
3 PLC ±-		CUSTOMER DRAWING	-	SCALE	SHEET 2 OF 3
4 PLC ±-				1:1	REV H2
ANGLES ±-					
FINISH					
MATERIAL					

THIS DRAWING IS UNPUBLISHED.

RELEASED FOR PUBLICATION

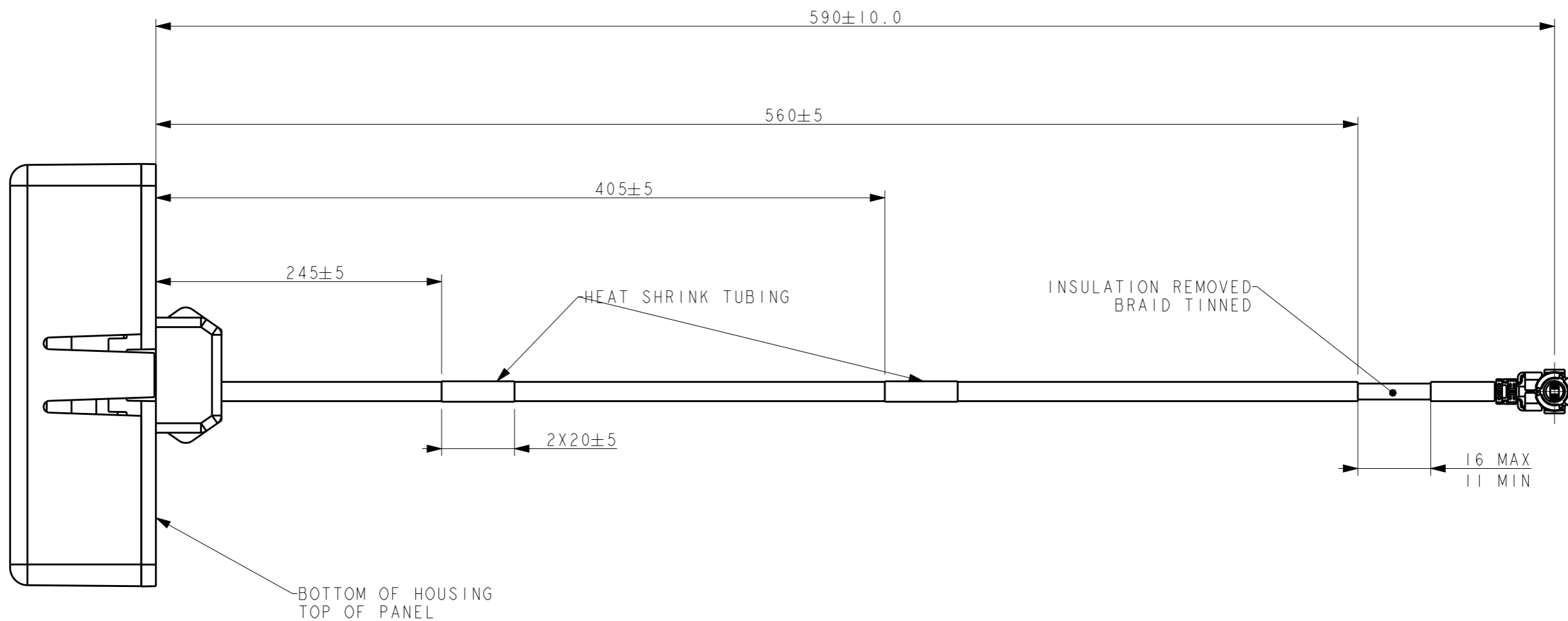
20

© COPYRIGHT 20

ALL RIGHTS RESERVED.

REVISIONS

P	LTR	DESCRIPTION	DATE	DWN	APVD
-	-	SEE SHEET 1	-	-	-



### 1513472-7 ASSEMBLY ONLY

THIS DRAWING IS A CONTROLLED DOCUMENT.		DWN APV	25FEB2009		
DIMENSIONS: mm		CHK	-		
TOLERANCES UNLESS OTHERWISE SPECIFIED:		APVD	-	NAME UNIVERSAL ANTENNA MODULE (UAM) WLAN	
0 PLC ±-		PRODUCT SPEC	-	SIZE	
1 PLC ±-		APPLICATION SPEC	-	CAGE CODE	DRAWING NO
2 PLC ±-		WEIGHT	-	A300779	C-1513472
3 PLC ±-		CUSTOMER DRAWING	-	SCALE	SHEET 3 OF 3
4 PLC ±-				3:1	REV H2
ANGLES ±-					
FINISH					
MATERIAL					

单击下面可查看定价，库存，交付和生命周期等信息

[>>TE Connectivity\(泰科\)](#)