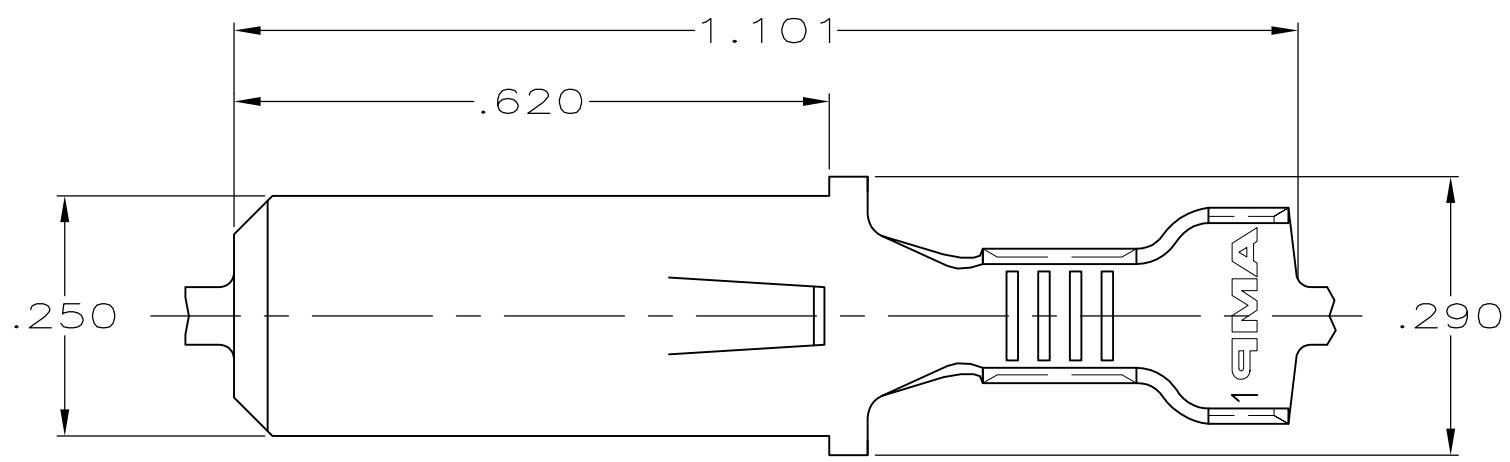
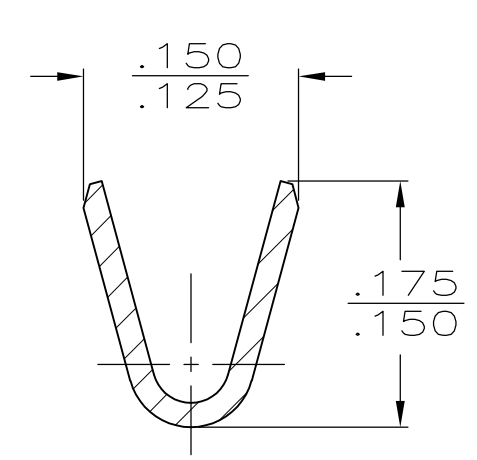
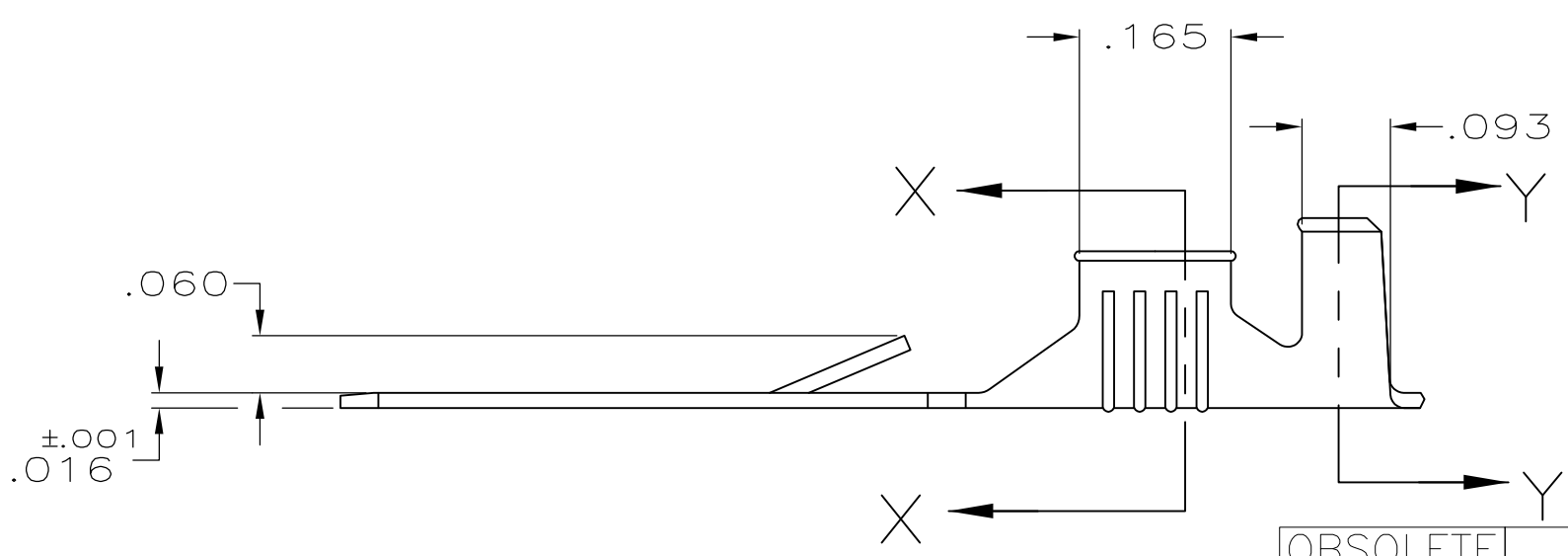


THIS DRAWING IS UNPUBLISHED. RELEASED FOR PUBLICATION
 © COPYRIGHT - By - ALL RIGHTS RESERVED.

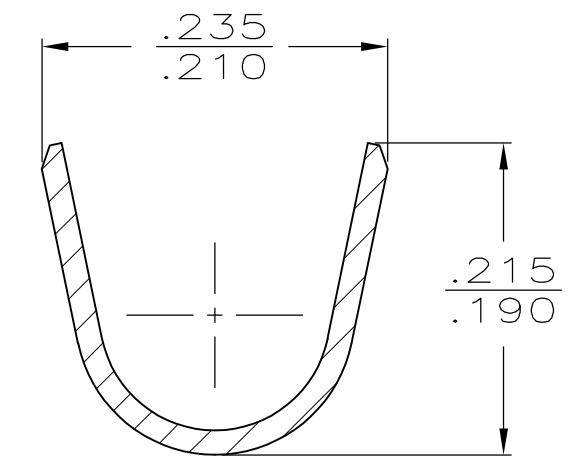
LOC	DIST	REVISIONS					
AF	50	P	LTR	DESCRIPTION	DATE	DWN	APVD
		AA		REVISED PER ECR-13-005733	22AUG13	KH	PD



- 1 FOREIGN PRODUCTION ONLY.
AMP ARGENTINA
- 2 CONTINUOUS STRIP ON REELS.



SECTION X-X
SCALE 8:1



SECTION Y-Y
SCALE 8:1

OBSOLETE	PRE-TIN	.120-.145	18-14	42099-4
OBSOLETE	SILVER	.120-.145	18-14	42099-3
1	TIN .000080 MIN	.120-.145	18-14	42099-2
1	---	.120-.145	18-14	42099-1
	FINISH	INSUL RANGE	WIRE SIZE	

THIS DRAWING IS A CONTROLLED DOCUMENT.		DWN JR RUTH 12/17/90	TE Connectivity	
DIMENSIONS: INCHES		CHK MS FEHER 12/17/90		
TOLERANCES UNLESS OTHERWISE SPECIFIED:		APVD J GILLESPIE 12/17/90	NAME TAB, FASTIN-FASTON,™ .250 SERIES	
0 PLC ± - 1 PLC ± - 2 PLC ± - 3 PLC ± .010 4 PLC ± - ANGLES ± -		PRODUCT SPEC -	RESTRICTED TO -	
MATERIAL BRASS		FINISH SEE TABLE	APPLICATION SPEC -	SIZE A3
		WEIGHT -	CAGE CODE 00779	DRAWING NO C-42099
		CUSTOMER DRAWING	SCALE 5:1	SHEET 1 OF 1
			REV AA	

单击下面可查看定价，库存，交付和生命周期等信息

[>>TE Connectivity\(泰科\)](#)