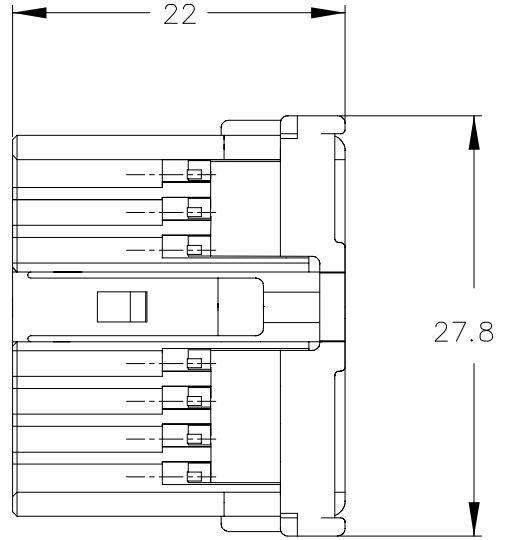
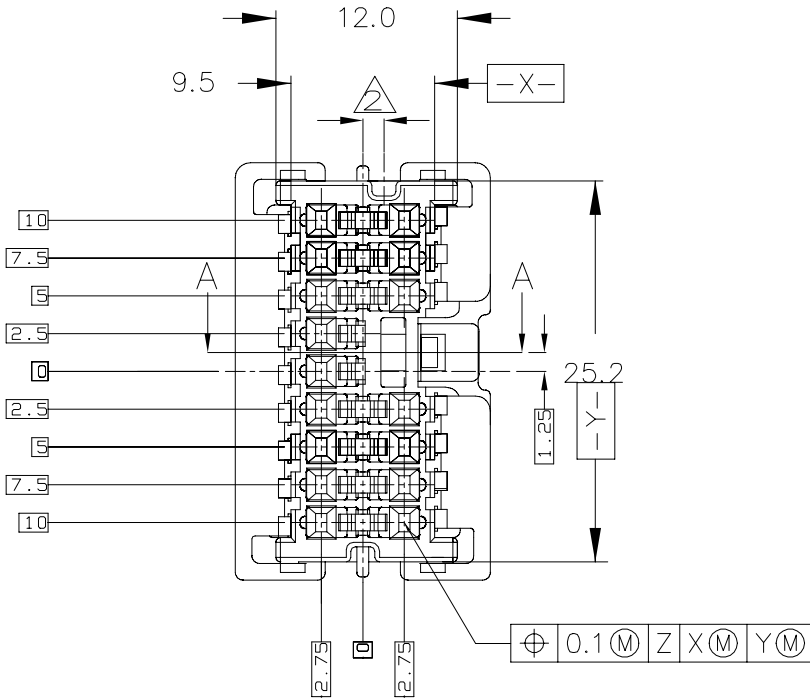
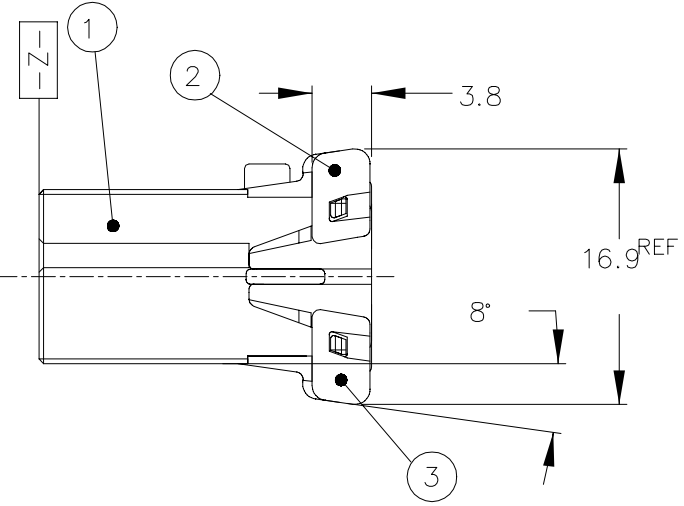
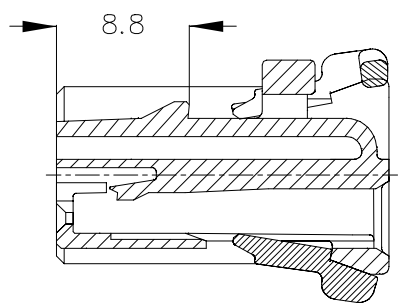


REVISIONS					
P	LTR	DESCRIPTION	DATE	DWN	APVD
B1		REVISED ECR-20-006447	17JUL2020	VI	SPB

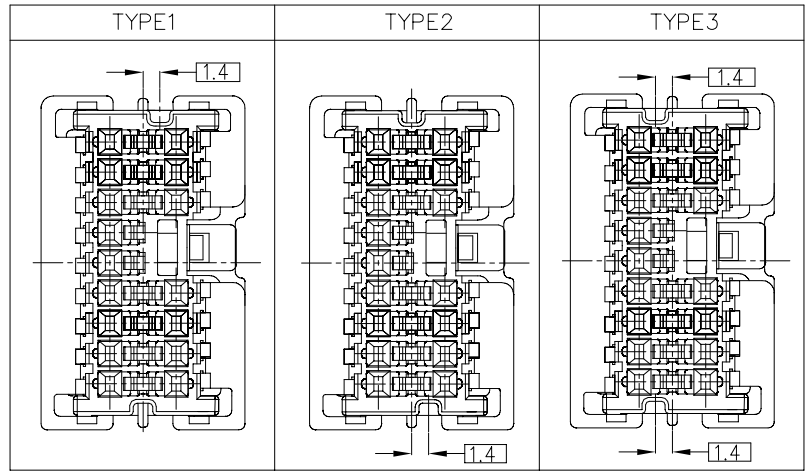


- NOTES:
- PLATE MUST BE COMPLETELY PRE-ASSEMBLED
 - KEY CODE : REFER TO THE TABLE
 - APPLICABLE CONTACT P/N: 316836-1, 316838-1
 - THE MATING HSG P/N ; 936497
- 주 기
- PLATE는 그림과 같이 1차 locking 상태로 공급되어짐.
 - KEY CODE : TABLE 참조
 - 적용 TML P/N: 316836-1, 316838-1
 - 상대하우징 P/N ; 936497



SECTION A-A

< KEY CODE >



TOLERANCES UNLESS OTHERWISE SPECIFIED:

0 <XX<10 ± 0.2
 10<XX<30 ± 0.25
 30<XX ± 0.3
 ANGLES ± 3°

ITEM NO	PARTS NO	MATERIAL	NAME	FINISH/COLOR	KEY CODE	Q'TY of ASS'Y								
						936471-8	936471-7	936471-6	936471-5	936471-4	936471-3	936471-2	936471-1	
③	936491-2		16Pos.DBL LOCK PLATE(A)	BLACK	-	1	1	1	1	1	1	1	1	1
②	936492-2		16Pos.DBL LOCK PLATE(B)	BLACK	-	1	1	1	1	1	1	1	1	1
①	936472-8			BLUE	1	1	-	-	-	-	-	-	-	-
	936472-7			GREEN	1	-	1	-	-	-	-	-	-	-
	936472-6			RED	1	-	-	1	-	-	-	-	-	-
	936472-5			YELLOW	1	-	-	-	1	-	-	-	-	-
	936472-4			BROWN	2	Ⓐ	-	-	-	1	-	-	-	-
	936472-3			GRAY	3	Ⓐ	-	-	-	-	1	-	-	-
	936472-2			BLACK	1	-	-	-	-	-	-	1	-	-
936472-1	PBT		16Pos.PLUG HSG	NATURAL	1	-	-	-	-	-	-	-	1	

THIS DRAWING IS A CONTROLLED DOCUMENT.

DIMENSIONS: mm	TOLERANCES UNLESS OTHERWISE SPECIFIED:	DWN IS WOO		TE Connectivity	
MATERIAL: SEE NOTE	FINISH: -	CHK BM JANG		NAME: 16Pos. PLUG HOUSING ASS'Y 040 III MLC CONN.	
APVD JK SONG		PRODUCT SPEC	SIZE: A3		
APPLICATION SPEC		WEIGHT: 0	CAGE CODE: 00779	DRAWING NO: 936471	RESTRICTED TO: -
CUSTOMER DRAWING			SCALE: 1:1	SHEET: 1 of 1	REV: B1

单击下面可查看定价，库存，交付和生命周期等信息

[>>TE Connectivity\(泰科\)](#)