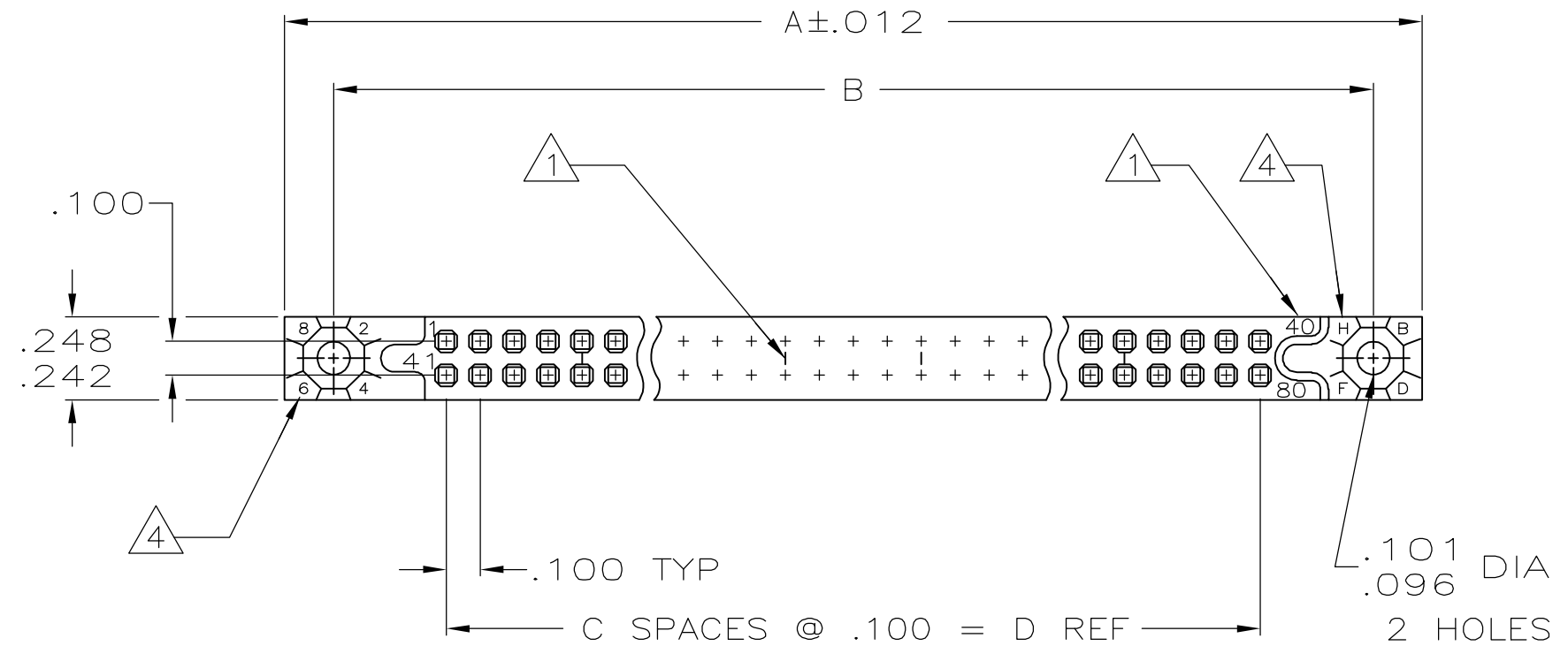
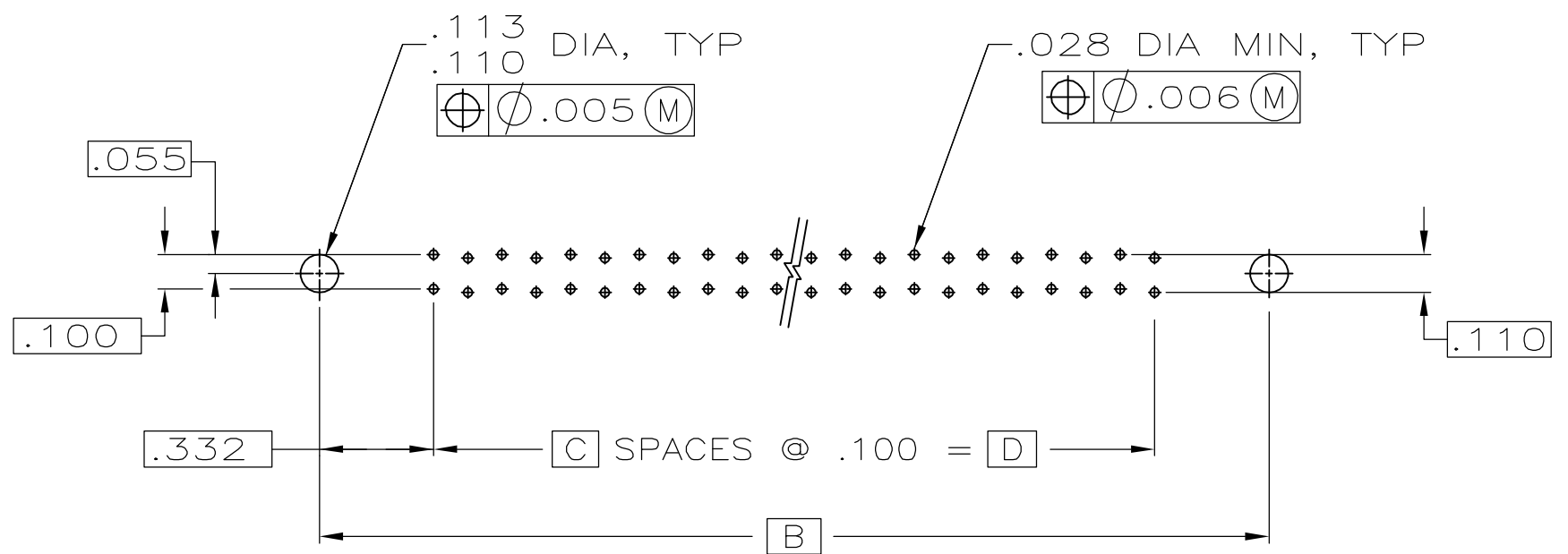
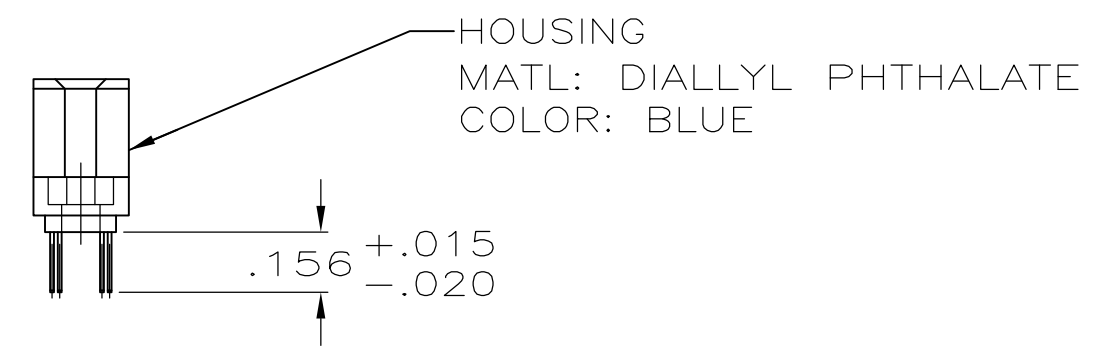
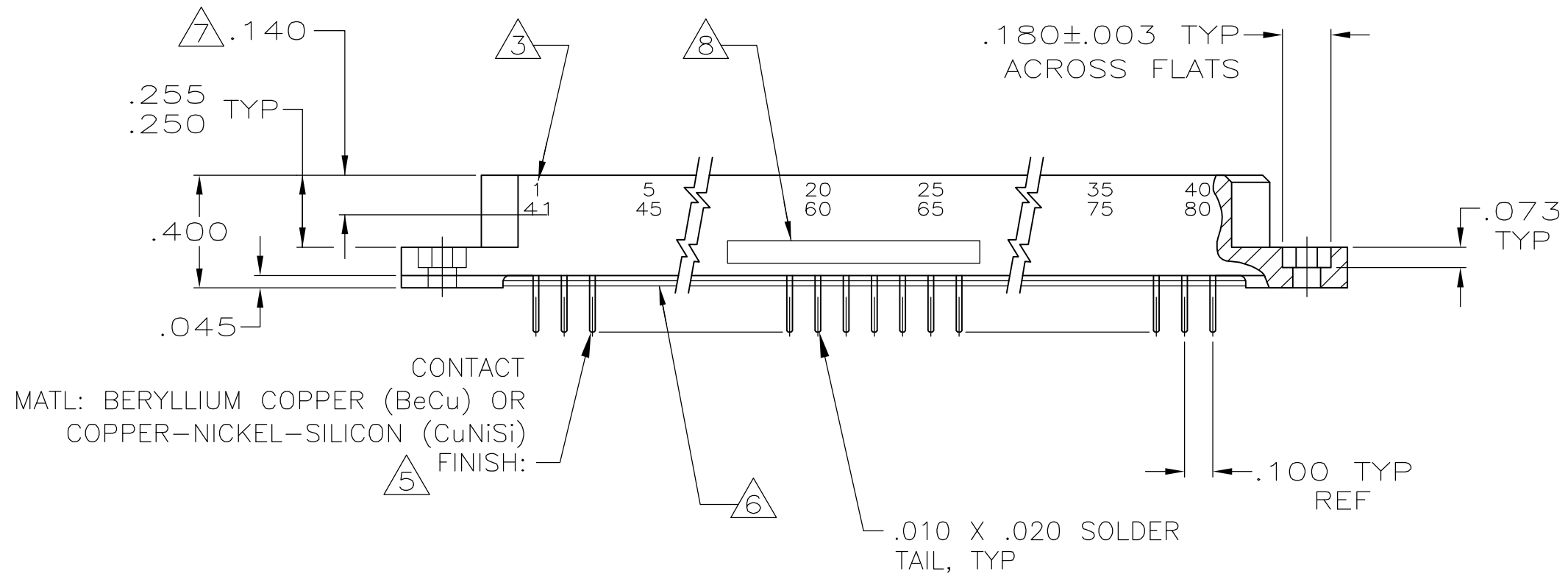


THIS DRAWING IS UNPUBLISHED. RELEASED FOR PUBLICATION  
 © COPYRIGHT BY TYCO ELECTRONICS CORPORATION. ALL RIGHTS RESERVED.

LOC	DIST	REVISIONS					
DF	F0	P	LTR	DESCRIPTION	DATE	DWN	APVD
		B		REV PER ECO 05-013558	12DEC05	VF	CT



- ① CAVITY IDENT NUMBERS (PER TABLE) AND LINES INDICATING EVERY FIVE CAVITIES MARKED ON MATING FACE.
- ② CONNECTOR MEETS ALL APPLICABLE REQUIREMENTS OF MIL-C-55302.
- ③ NUMBERS INDICATING EVERY FIVE CAVITIES MARKED ON SIDE.
- ④ KEY POSITION IDENTIFICATIONS MOLDED ON SURFACES SHOWN.
- ⑤ FINISH: PLATED GOLD .000050 THK IN CONTACT AREA WITH A POINT OF PLATING THICKNESS MEASUREMENT .135 FROM MATING END OF CONTACT; TAILS PLATED TIN-LEAD .000100 THK; ALL OVER NICKEL .000030 THK.
- ⑥ EPOXY SEALANT ADDED TO BOTTOM OF HOUSING.
- ⑦ MAX DEPTH OF CONTACT POINT.
- ⑧ AMP, AMP PART NUMBER, AND DATE CODE MARKED.



RECOMMENDED P.C. BOARD LAYOUT  
(CONNECTOR SIDE)

1 41	40 80	3.900	39	4.565	4.855	80	445596-1
CAVITY IDENT ①		D	C	B	A	NO OF POSN	PART NUMBER
DIMENSIONS							

THIS DRAWING IS A CONTROLLED DOCUMENT.		DWN C.C.THOMAS 10-26-88	Tyco Electronics Corporation Harrisburg, PA 17105-3608	
DIMENSIONS: INCHES	TOLERANCES UNLESS OTHERWISE SPECIFIED:	CHK JAMES P. SCHOLTZ 11-1-88	NAME RECEPTACLE ASSEMBLY, 1000 SERIES BOX. .010 X .020 POSTED CONTACTS, .156 TAIL LENGTH	
	0 PLC ± -	APVD G. GRIFFITH 11-1-88	SIZE A2	CAGE CODE 00779
	1 PLC ± -	PRODUCT SPEC	DRAWING NO C=445596	RESTRICTED TO
MATERIAL SEE CALLOUTS	FINISH SEE CALLOUTS	APPLICATION SPEC	WEIGHT -	SCALE 2:1
CUSTOMER DRAWING		SCALE 2:1	SHEET 1 of 1	REV B

单击下面可查看定价，库存，交付和生命周期等信息

[>>TE Connectivity\(泰科\)](#)