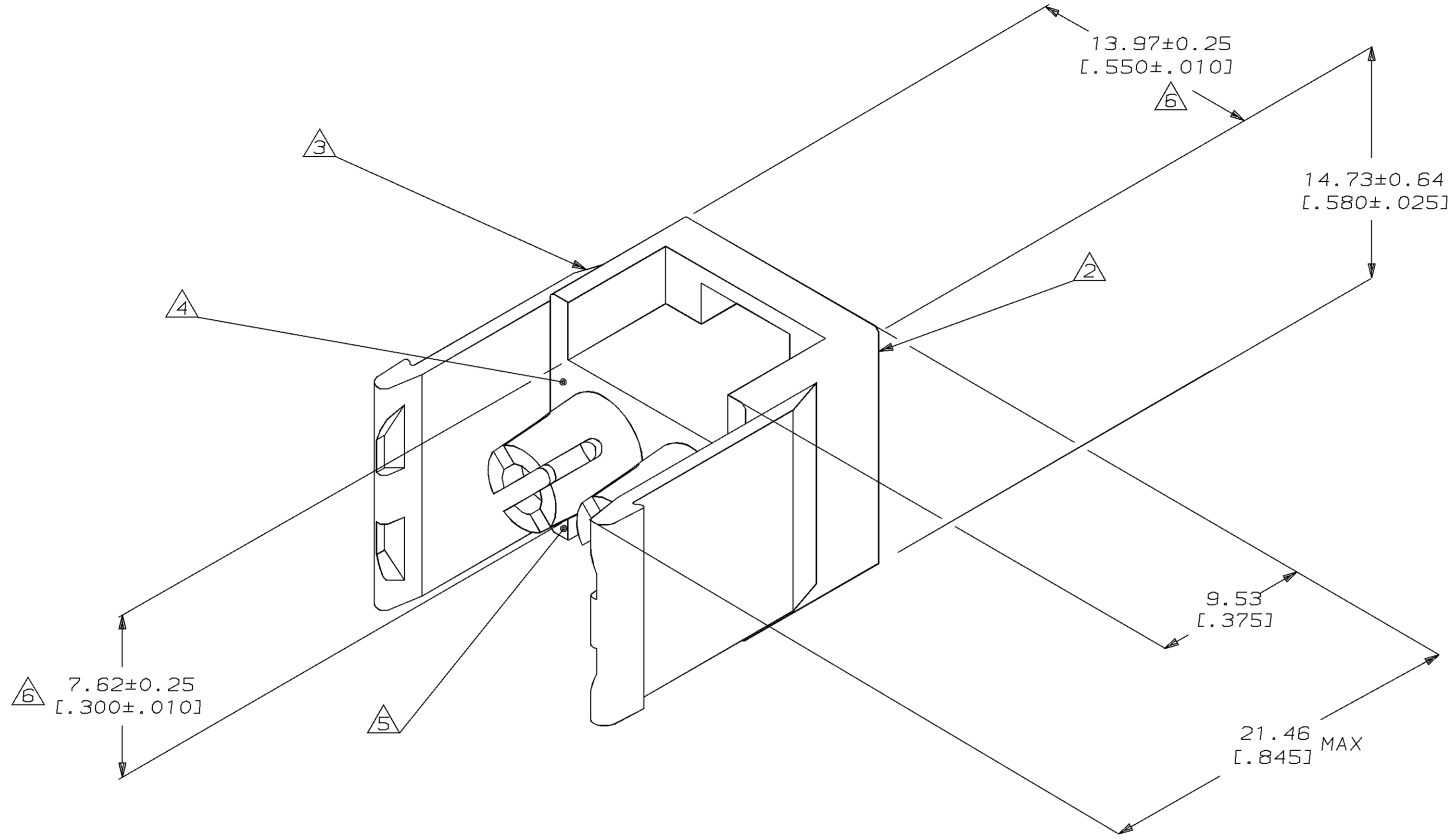


LOC		DIST		P		F		ZONE		LTR		REVISIONS	
CM	53											DATE	APPD
												D	REV PER EC 0730-0212-94
												11-22-94	JH



1. MUST BE ASSEMBLED WITH CAP FRONT P/N 770045-1 BEFORE MATING. KIT P/N IS 770024-1.
- ② AMP LOGO LOCATED THIS SURFACE.
- ③ UL AND CSA LOGOS LOCATED THIS SURFACE.
- ④ CIRCUIT NO. 1 IDENTIFICATION BUTTON LOCATED APPROXIMATELY AS SHOWN FAR SIDE.
- ⑤ LOCATION OF CIRCUIT NUMBERS MOVE BUT WILL REMAIN ADJACENT TO APPROPRIATE CAVITY (LOCATED FAR SIDE).
- ⑥ DIMENSION INDICATED IS AS MOLDED. ADDITIONAL GROWTH DUE TO SUBSEQUENT MOISTURE ABSORPTION MAY OCCUR.

770046-1
PART NUMBER



DO NOT SCALE PRINT. UNLESS SPECIFIED DIMENSIONS IN INCHES TOLERANCES ON:		DR 1-15-92 K. SALMON		AMP INCORPORATED Harrisburg, Pa. 17105	
1 ± .005		CHK 1-15-92 R. SWING		NAME	
2 PLC DEC ± 0.13 [L.005]		APPD 1-16-92 M. TRULL		CAP REAR, 2 CIRCUIT, UNIVERSAL MATE-N-LOK™ II	
ANGLES ± _____		APPD 1-16-92 M. TRULL			
MATERIAL		PRODUCT SPEC		DRAWING NO	
NYLON, UL94V-0,		APPLICATION SPEC		770046	
FINISH		WEIGHT		SCALE	
				5:1	
				SHEET 1 OF 1	

CUSTOMER DRAWING

单击下面可查看定价，库存，交付和生命周期等信息

[>>TE Connectivity\(泰科\)](#)