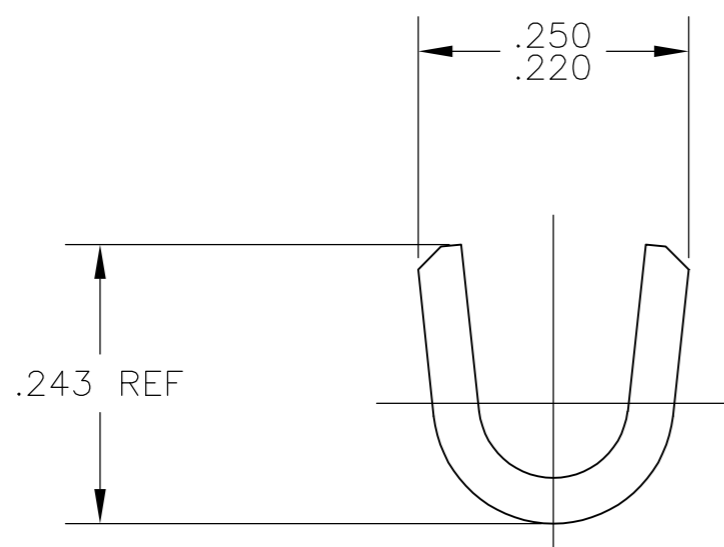
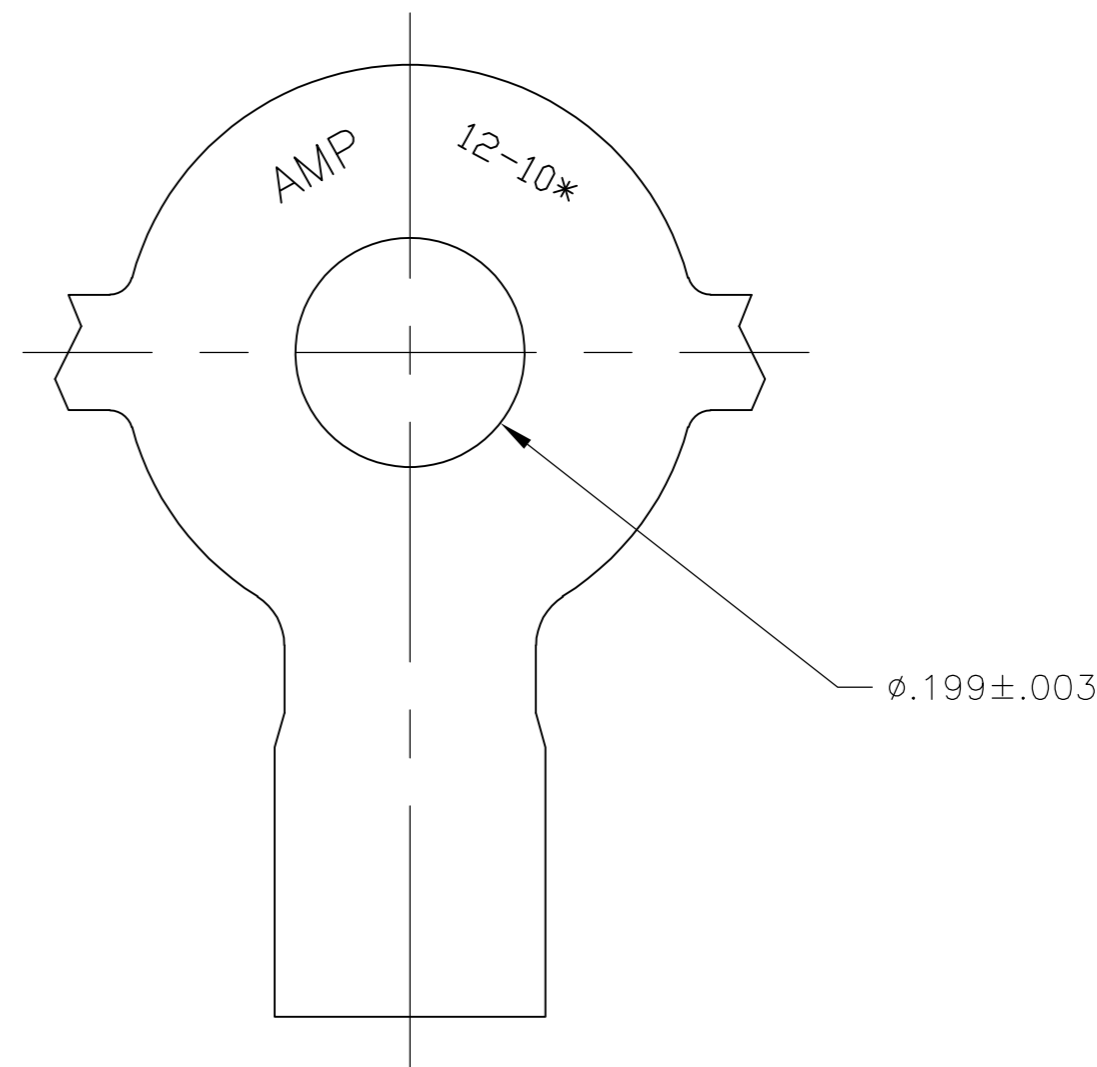
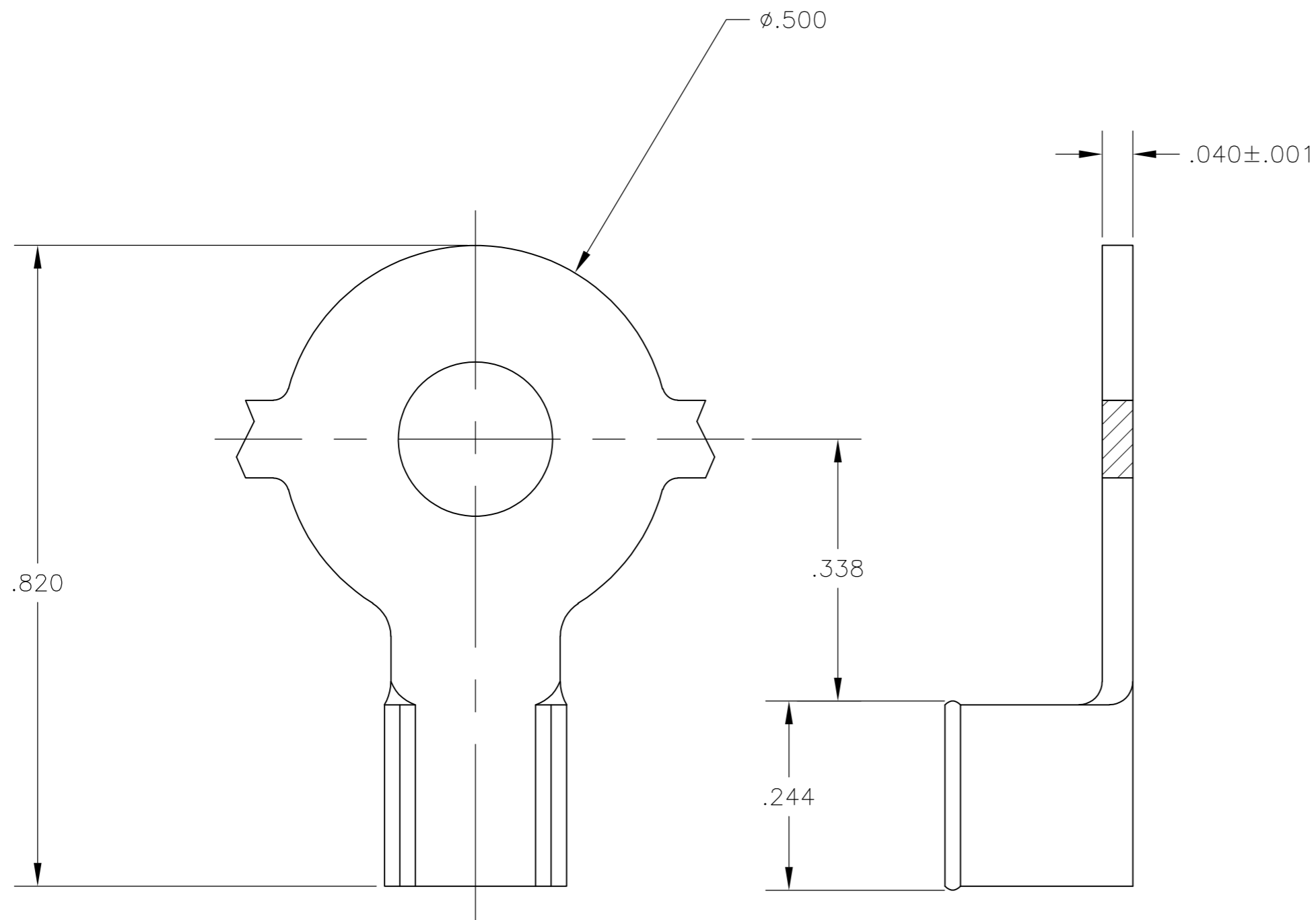


THIS DRAWING IS UNPUBLISHED. RELEASED FOR PUBLICATION  
 © COPYRIGHT BY TYCO ELECTRONICS CORPORATION. ALL RIGHTS RESERVED.

LOC	DIST	REVISIONS			
P	LTR	DESCRIPTION	DATE	DWN	APVD
AF	15				
	K	REVISED PER ECR-10-006099	07JUL10	HMR	PD
	K1	REVISED PER ECR-13-000187	09JAN13	B.P	YH.M

1. CONTINUOUS STRIP ON REELS.
2. WIRE RANGE: #12-#10 AWG.
3. 42555-3 IS THE REVERSE REEL OF 42555-1.



	H00 COPPER	42555-3	△
OBSOLETE	082 BRASS	42555-2	
	H00 COPPER	42555-1	
	MATERIAL	PART NUMBER	

THIS DRAWING IS A CONTROLLED DOCUMENT.		DWN	B.P	08JAN2013	Tyco Electronics Corporation Harrisburg, Pa 17105-3608			
DIMENSIONS: INCHES		CHK	F.M	08JAN2013				
TOLERANCES UNLESS OTHERWISE SPECIFIED:		APVD	YH.MAO	08JAN2013				
0 PLC ± - 1 PLC ± - 2 PLC ± - 3 PLC ± .010 4 PLC ± - ANGLES ± -		PRODUCT SPEC	NAME					
MATERIAL SEE TABLE		FINISH	TIN		APPLICATION SPEC			
		WEIGHT	-		SIZE	CAGE CODE	DRAWING NO	RESTRICTED TO
		CUSTOMER DRAWING		SCALE	6:1	SHEET	1 OF 1	REV
				A2 00779 C=42555				K1

单击下面可查看定价，库存，交付和生命周期等信息

[>>TE Connectivity\(泰科\)](#)