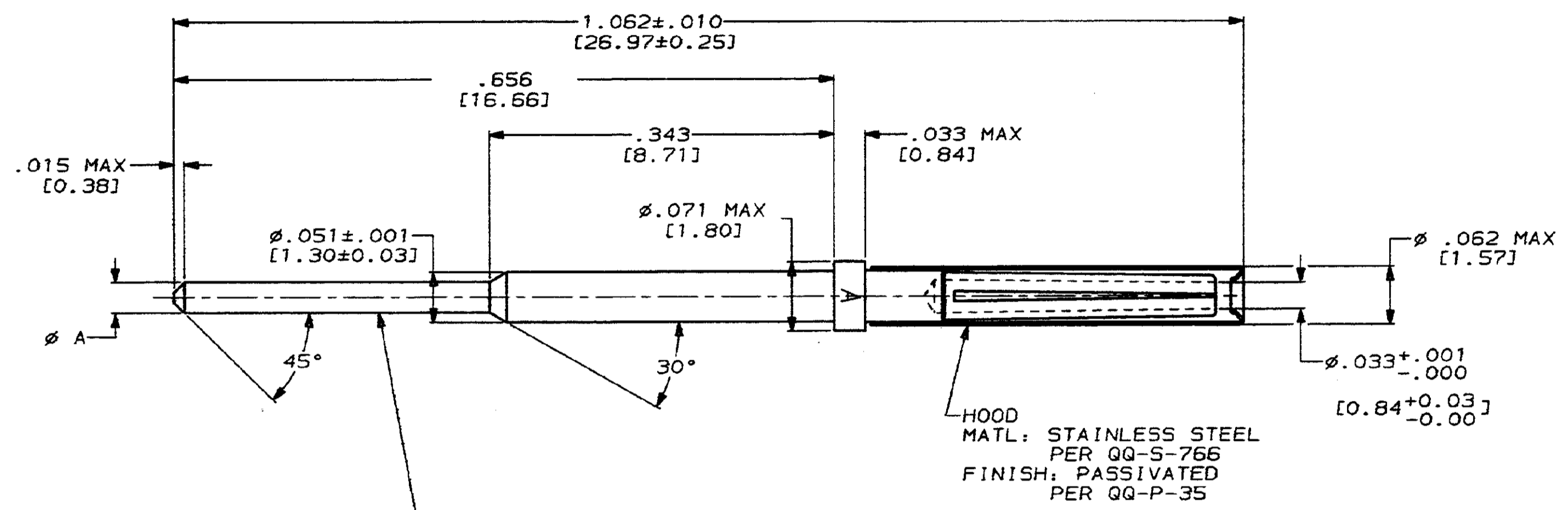


DRAWING MADE IN THIRD ANGLE PROJECTION

THIS DRAWING IS UNPUBLISHED. RELEASED FOR PUBLICATION . IS .  
 © COPYRIGHT 19 BY AMP INCORPORATED. ALL INTERNATIONAL RIGHTS RESERVED.

PROJ	LOC	DIST	ZONE	LTR	REVISIONS	DATE	APPO
4971	DF	AO					
			J		REV 8 REDRAWN PER DF-4578	CT 7-91	AS



SOCKET BODY  
 MAT'L: LEADED COPPER PER QQ-B-626  
 FINISH: PLATED GOLD .000050 MIN  
 THK PER MIL-G-45204 OVER NICKEL  
 .000050 MIN THK PER QQ-N-290

HOOD  
 MATL: STAINLESS STEEL  
 PER QQ-S-766  
 FINISH: PASSIVATED  
 PER QQ-P-35

.023 ± .001 [0.58 ± 0.03]	205544-2
.031 ± .001 [0.79 ± 0.03]	205544-1
A DIM	PART NO.

DO NOT SCALE PRINT. UNLESS SPECIFIED DIMENSIONS IN INCHES [mm] TOLERANCES ON: 2 PLC DEC ± - 3 PLC DEC ± .005 [0.13] ANGLES ± 2°	DR 5-7-91 C.C. THOMAS	AMP Incorporated Harrisburg, PA 17105-3608
MATERIAL	CHK 7-23-91 A. SHARPE	
SEE CALLOUTS	APPD 7-23-91 A. SHARPE	
FINISH	APPD 7-23-91 C. THOMAS	NAME ASSY, SOCKET CONTACT, SIZE 22 ARINC 404 (SPECIAL)
SEE CALLOUTS	PRODUCT SPEC	SIZE CAGE CODE DRAWING NO C 00779 205544
	APPLICATION SPEC	SCALE 10:1 SHEET 1 OF 1
	WEIGHT	

CUSTOMER DRAWING

单击下面可查看定价，库存，交付和生命周期等信息

[>>TE Connectivity\(泰科\)](#)