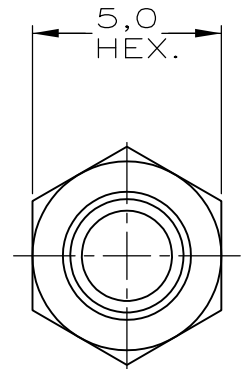
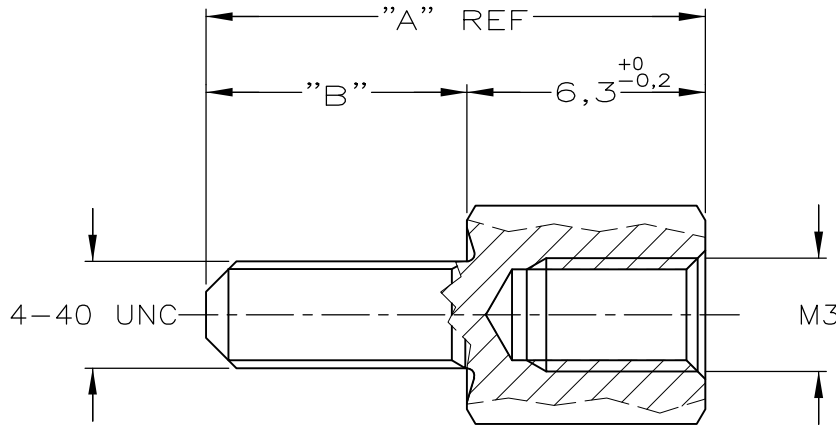
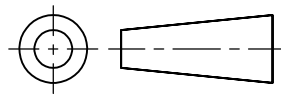


DO NOT SCALE

DIMENSIONS IN mm

METRIC

THIRD ANGLE
PROJECTION



△ OBSOLETE PARTS: OBSOLETE CIS STREAMLINING PER D.RENAUD/D.SINISI

-	3,0	9,2	UNPLATED	ARCAP	3-828101-3
-	3,0	9,2	TINPLATED	BRASS	3-828101-1
-	11,0	17,2	UNPLATED	ARCAP	2-828101-3
-	11,0	17,2	TINPLATED	BRASS	2-828101-1 △
-	9,7	15,9	UNPLATED	ARCAP	1-828101-3
-	9,7	15,9	TINPLATED	BRASS	1-828101-1
-	5,0	11,2	UNPLATED	ARCAP	828101-3
-	5,0	11,2	TINPLATED	BRASS	828101-1
-	DIM "B"	DIM "A"	FINISH	MATERIAL	ORDERNUMBER

-	-	-	-	-	<p>CUSTOMER DRAWING FOR REFERENCE ONLY WILL NOT BE UPDATED</p> <p>© COPYRIGHT 19 - BY AMP HOLLAND B.V. ALL INTERNATIONAL RIGHTS RESERVED. AMP PRODUCTS MAY BE COVERED BY U.S. AND FOREIGN AND/OR PATENTS PENDING. THIS DRAWING IS UNPUBLISHED RELEASED FOR PUBLICATION _____, 19 _____</p> <p>AMP AMP HOLLAND B.V. 's-Hertogenbosch, The Netherlands.</p>
F1	REVISED PER ECO-09-023313	KK	AEG	120CT09	
F	H-9720	S.M.	C.V.T	21-04-92	
LTR.	REVISION RECORD	DR.	CHK.	DATE	
NAME					
SCREWLOCK, FEMALE, HD-SERIES					

DR.:	D.KESSLER	CHK.:	C.V.TILBURG	APP.:	L.V.SOEST	DWG.No.	828101	REV.LTR.	F1	SHEET	1 OF 1	A4
DATE:	02-04-91	DATE:	23-04-91	DATE:	05-01-91	Downloaded From Oneyac.com						

单击下面可查看定价，库存，交付和生命周期等信息

[>>TE Connectivity\(泰科\)](#)