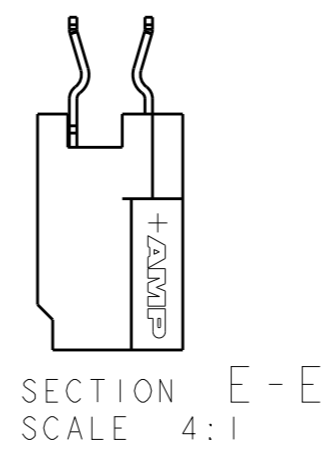
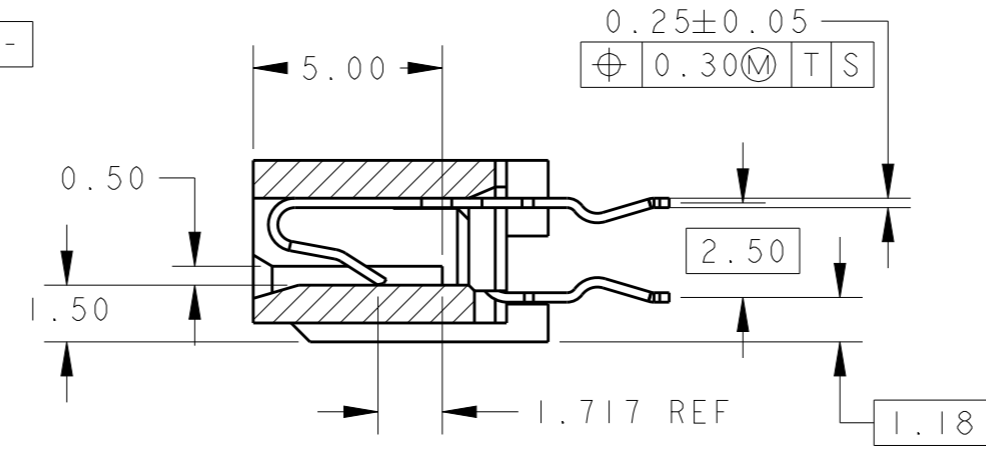
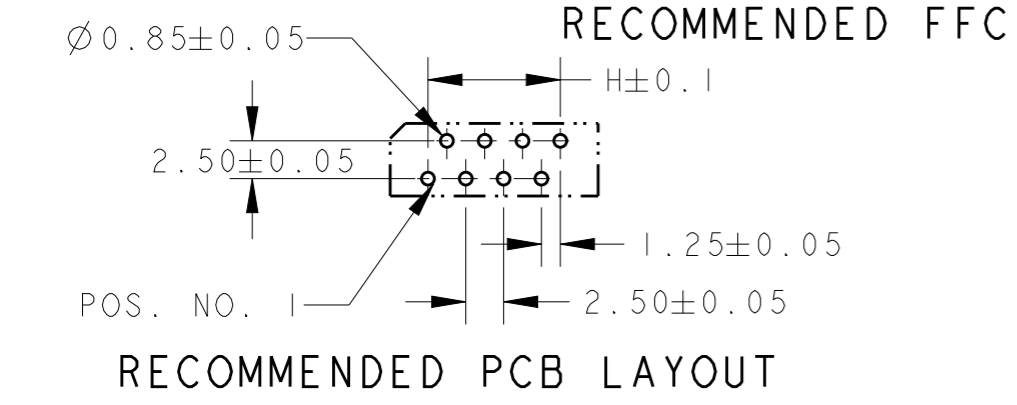
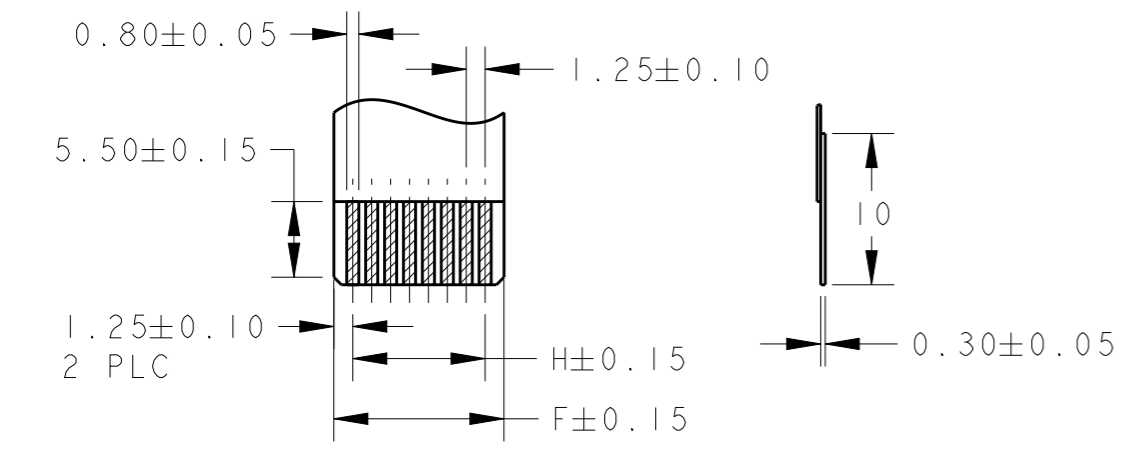
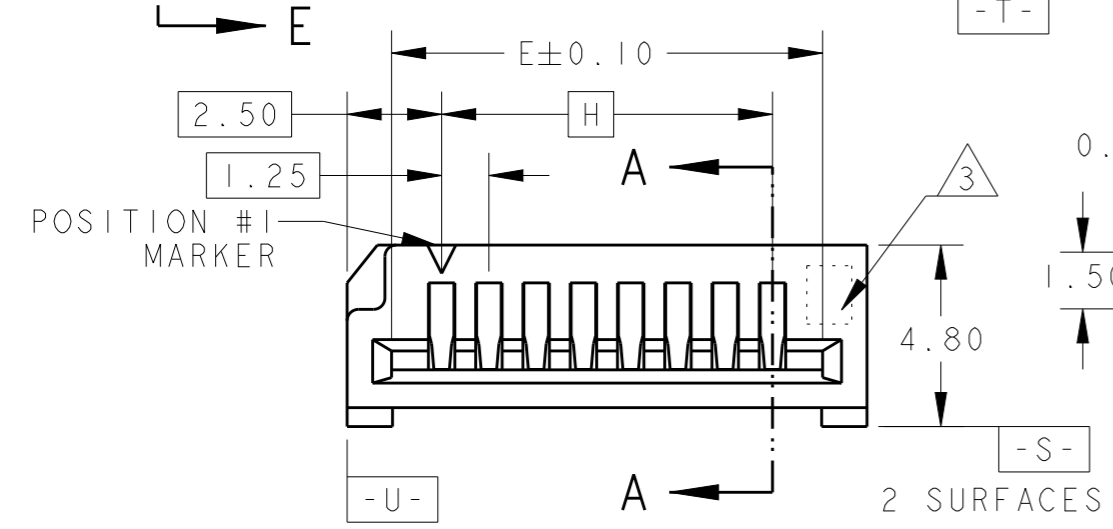
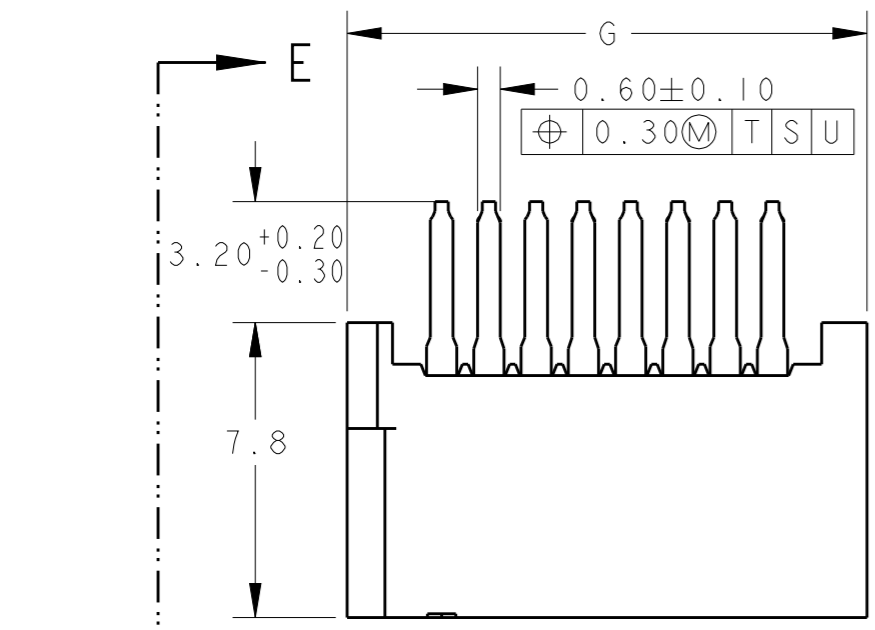


THIS DRAWING IS UNPUBLISHED. RELEASED FOR PUBLICATION 20
 © COPYRIGHT 20 BY - ALL RIGHTS RESERVED.

| LOC | DIST | REVISIONS | | | | | |
|-----|------|-----------|-----|------------------------|---------|------|------|
| DY | - | P | LTR | DESCRIPTION | DATE | DWN | APVD |
| | | E2 | | ADD NEW PART 6-84534-2 | 19FEB20 | H. X | W. H |

NOTES:
 1 MATERIAL:
 HOUSING: GLASS FILLED PBT, WHITE COLOR
 CONTACT: PHOSPHOR BRONZE
 2 INDICATION OF NUMBER OF POSITION
 3 FINISH: POST PLATED TIN
 4 FINISH: POST PLATED TIN-LEAD



| FINISH | H | G | F | E | POS. | PART NO. |
|--------|-------|-------|-------|-------|------|-----------|
| 4 | 13.75 | 18.75 | 16.25 | 16.40 | 12 | 6-84534-2 |
| | 7.50 | 12.50 | 10.00 | 10.15 | 7 | 5-84534-7 |
| | 6.25 | 11.25 | 8.75 | 8.90 | 6 | 5-84534-6 |
| | 5.00 | 10.00 | 7.50 | 7.65 | 5 | 5-84534-5 |
| | 48.75 | 53.75 | 51.25 | 51.40 | 40 | 4-84534-0 |
| | 47.50 | 52.50 | 50.00 | 50.15 | 39 | -9 |
| | 46.25 | 51.25 | 48.75 | 48.90 | 38 | -8 |
| | 45.00 | 50.00 | 47.50 | 47.65 | 37 | -7 |
| | 43.75 | 48.75 | 46.25 | 46.40 | 36 | -6 |
| | 42.50 | 47.50 | 45.00 | 45.15 | 35 | -5 |
| | 41.25 | 46.25 | 43.75 | 43.90 | 34 | -4 |
| | 40.00 | 45.00 | 42.50 | 42.65 | 33 | -3 |
| | 38.75 | 43.75 | 41.25 | 41.40 | 32 | -2 |
| | 37.50 | 42.50 | 40.00 | 40.15 | 31 | -1 |
| | 36.25 | 41.25 | 38.75 | 38.90 | 30 | 3-84534-0 |
| | 35.00 | 40.00 | 37.50 | 37.65 | 29 | -9 |
| | 33.75 | 38.75 | 36.25 | 36.40 | 28 | -8 |
| | 32.50 | 37.50 | 35.00 | 35.15 | 27 | -7 |
| | 31.25 | 36.25 | 33.75 | 33.90 | 26 | -6 |
| | 30.00 | 35.00 | 32.50 | 32.65 | 25 | -5 |
| | 28.75 | 33.75 | 31.25 | 31.40 | 24 | -4 |
| 3 | 27.50 | 32.50 | 30.00 | 30.15 | 23 | -3 |
| | 26.25 | 31.25 | 28.75 | 28.90 | 22 | -2 |
| | 25.00 | 30.00 | 27.50 | 27.65 | 21 | -1 |
| | 23.75 | 28.75 | 26.25 | 26.40 | 20 | 2-84534-0 |
| | 22.50 | 27.50 | 25.00 | 25.15 | 19 | -9 |
| | 21.25 | 26.25 | 23.75 | 23.90 | 18 | -8 |
| | 20.00 | 25.00 | 22.50 | 22.65 | 17 | -7 |
| | 18.75 | 23.75 | 21.25 | 21.40 | 16 | -6 |
| | 17.50 | 22.50 | 20.00 | 20.15 | 15 | -5 |
| | 16.25 | 21.25 | 18.75 | 18.90 | 14 | -4 |
| | 15.00 | 20.00 | 17.50 | 17.65 | 13 | -3 |
| | 13.75 | 18.75 | 16.25 | 16.40 | 12 | -2 |
| | 12.50 | 17.50 | 15.00 | 15.15 | 11 | -1 |
| | 11.25 | 16.25 | 13.75 | 13.90 | 10 | 1-84534-0 |
| | 10.00 | 15.00 | 12.50 | 12.65 | 9 | -9 |
| | 8.75 | 13.75 | 11.25 | 11.40 | 8 | -8 |
| | 7.50 | 12.50 | 10.00 | 10.15 | 7 | -7 |
| | 6.25 | 11.25 | 8.75 | 8.90 | 6 | -6 |
| | 5.00 | 10.00 | 7.50 | 7.65 | 5 | -5 |
| | 3.75 | 8.75 | 6.25 | 6.40 | 4 | 0-84534-4 |

| | | | | |
|--|--|------------------------|--------------------------------------|---------------------|
| THIS DRAWING IS A CONTROLLED DOCUMENT. | | DWN WYLEE 18NOV97 | TE Connectivity | |
| DIMENSIONS: mm | | CHK BO KOK 22NOV2011 | | |
| TOLERANCES UNLESS OTHERWISE SPECIFIED: | | APVD WI CHOO 22NOV2011 | NAME ASSY, 1.25mm FFC CONN, VERTICAL | |
| 0 PLC ±0.2 1 PLC ±0.25 2 PLC ±0.25 3 PLC ± 4 PLC ± ANGLES ±3° | | PRODUCT SPEC 108-51021 | APPLICATION SPEC - | |
| MATERIAL 1 | | WEIGHT - | SIZE A300779 | CAGE CODE C-84534 |
| FINISH 3 4 | | CUSTOMER DRAWING | SCALE 5:1 | SHEET 1 OF 1 REV E2 |

单击下面可查看定价，库存，交付和生命周期等信息

[>>TE Connectivity\(泰科\)](#)