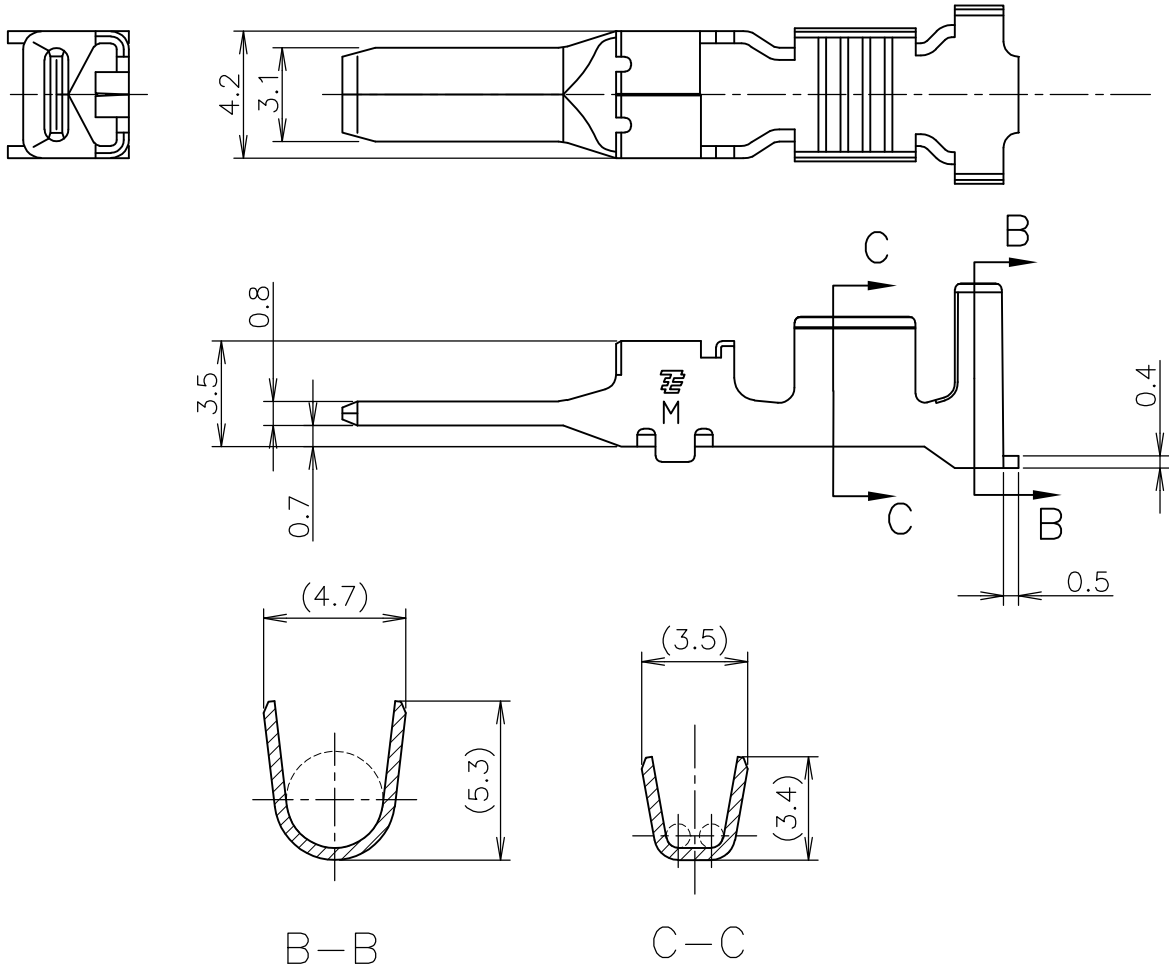


LOC J	DIST /	REVISIONS 変更			DATE	DWN	APVD
		P	LTR	DESCRIPTION			
			A	REVISED ECR-10-010452	10JUN2010	T.T	T.M



- 1 一般公差 : ±0.25
- 2 材料 : 錫めっき済 銅合金
- 3 適用電線 : AWG #16-#14 (被覆外径φ2.0~φ3.75)

- 1 GENERAL TOLERANCE: ±0.25
- 2 MATERIAL: PRE-TIN COPPER ALLOY
- 3 APPLICABLE WIRE: AWG #16-#14 (INS DIAφ2.0~φ3.75)

M TYPE

1746973-1
PART NUMBER

THIS DRAWING IS UNPUBLISHED. MAY, 2004.

ALL INTERNATIONAL RIGHTS RESERVED.

© COPYRIGHT 2004 BY TYCO ELECTRONICS CORPORATION.

DIMENSIONS: 単位: 耗 mm TOLERANCES UNLESS OTHERWISE SPECIFIED: 一般公差 0 PLC ± - 1 PLC ± - 2 PLC ± - 3 PLC ± - 4 PLC ± - ANGLES ± -	DWN A.OISHI 17MAY2004	MATERIAL 材料	FINISH 仕上
	CHK N.YAMASAKI 17MAY2004	Tyco Electronics Corporation Kawasaki, Japan	
	APVD N.YAMASAKI 17MAY2004	NAME 名称 GRACE INERTIA CONNECTOR 6.2MM PITCH TAB CONTACT, M TYPE	
	PRODUCT SPEC 製品規格 108-5979	SIZE A4	CAGE CODE 00779
APPLICATION SPEC 取付適用規格 114-5356	WEIGHT		RESTRICTED TO
CUSTOMER DRAWING		SCALE 尺度 4:1	SHEET 1 OF 1 REV A

单击下面可查看定价，库存，交付和生命周期等信息

[>>TE Connectivity\(泰科\)](#)