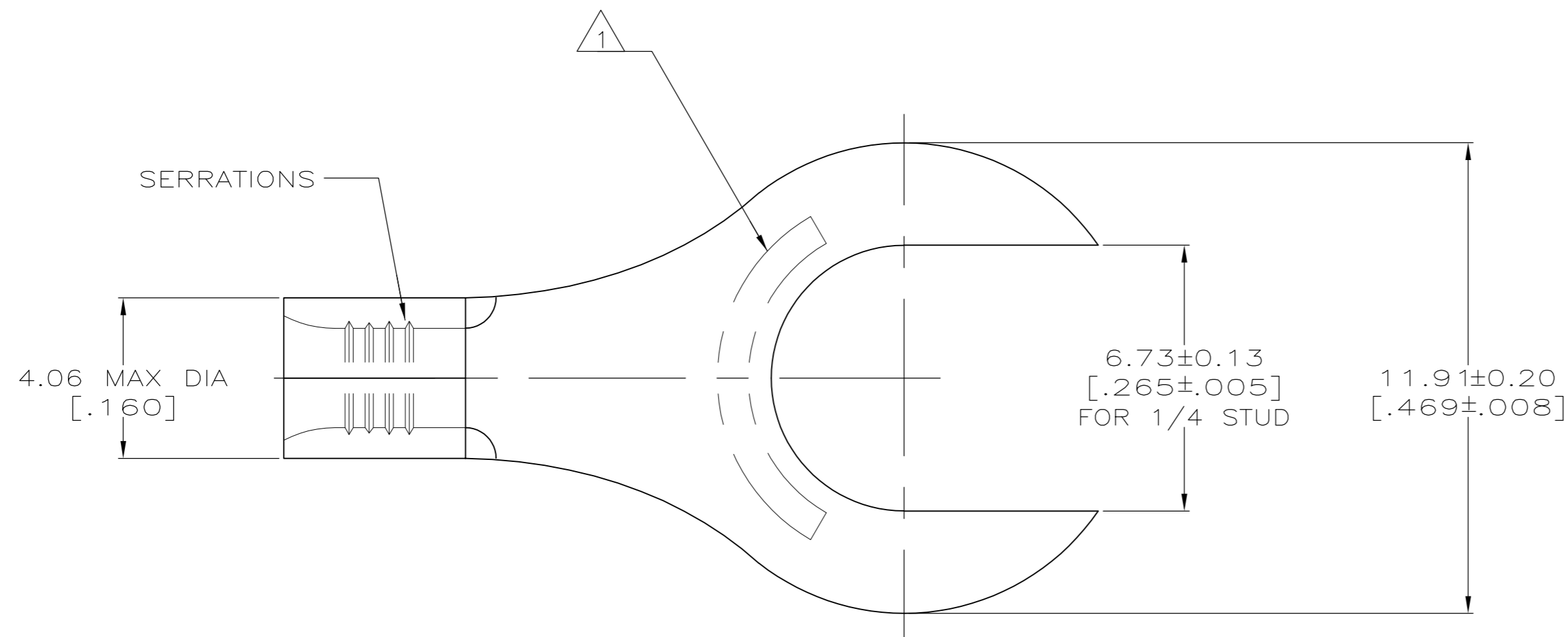
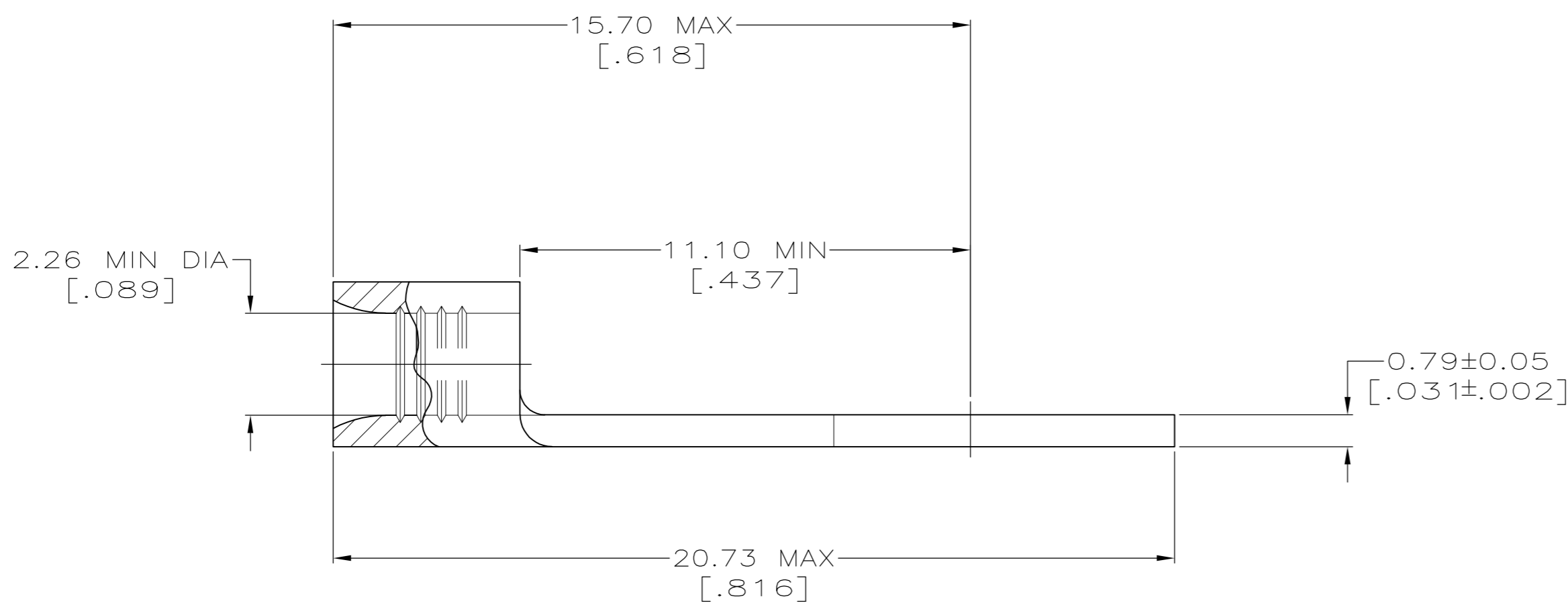


THIS DRAWING IS UNPUBLISHED. RELEASED FOR PUBLICATION  
 © COPYRIGHT BY TYCO ELECTRONICS CORPORATION. ALL RIGHTS RESERVED.

LOC	DIST	REVISIONS					
		P	LTR	DESCRIPTION	DATE	DWN	APVD
G	14		A1	REVISED PER ECR-08-004464	03MAR08	HMR	JR



<b>AMP</b> WIRE RANGE	Listed FILE E13288	LR7189 Certified
16-14 AWG STRANDED	16-14 AWG STRANDED	NOT CERTIFIED



36216  
PART NO

MAX RECOMMENDED OPERATING TEMPERATURE	170° C MAX
VOLTAGE RATING	NOT APPLICABLE
WIRE CROSS SECTIONAL AREA RANGE	1.04-2.62mm <sup>2</sup> [2,050-5,180] CIR MILLS STRANDED

THIS DRAWING IS A CONTROLLED DOCUMENT.		DWN TA BRINKMAN 2-24-93	Tyco Electronics Corporation Harrisburg, PA 17105-3608	
DIMENSIONS: INCHES		CHK DA PATTERSON 2-24-93		
TOLERANCES UNLESS OTHERWISE SPECIFIED:		APVD DE MILLER 2-24-93	NAME TERMINAL, SLOTTED RING TONGUE, BUDGET	
0 PLC ± -		PRODUCT SPEC	SIZE A2	
1 PLC ± -		APPLICATION SPEC	CAGE CODE 00779	DRAWING NO C=36216
2 PLC ± -		WEIGHT	RESTRICTED TO	
3 PLC ± -			-	
4 PLC ± -				
ANGLES ± -				
MATERIAL COPPER PER ASTM B-152 ANNEALED		FINISH TIN PLATE 0.00254[.000100] MIN PER ASTM B-545.	SCALE 8:1	
			SHEET 1 of 1	
			REV A1	
		CUSTOMER DRAWING		

单击下面可查看定价，库存，交付和生命周期等信息

[>>TE Connectivity\(泰科\)](#)