

THIS DRAWING IS UNPUBLISHED.

RELEASED FOR PUBLICATION

20

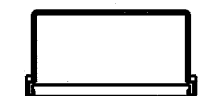
© COPYRIGHT 20

BY TYCO ELECTRONICS CORPORATION. ALL RIGHTS RESERVED.

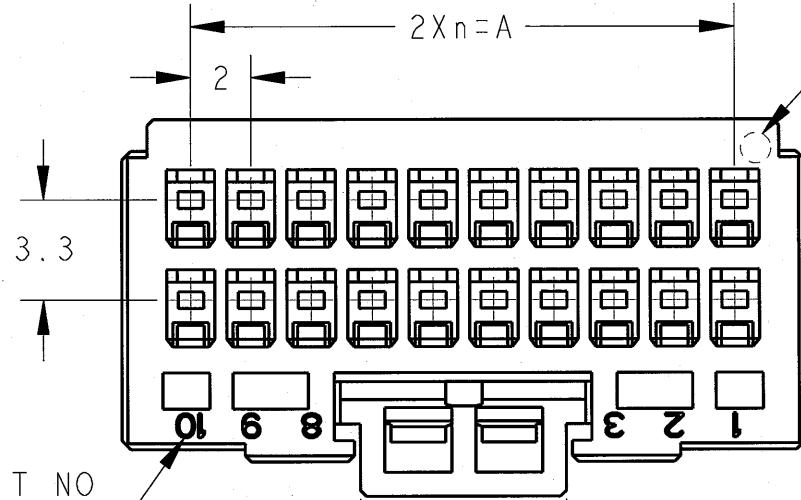
LOC	DIST
J	-

REVISIONS
変更

P	LTR	DESCRIPTION	DATE	DWN	APVD
	B	REVISED	18JUN2009	R.K	N.Y
	C	REVISED	06JAN2010	R.K	N.Y



SCALE 1:1



CAVITY MARK
(ALPHABET:CAPITAL LETTER)

1. 材料: ガラス入り熱可塑性ポリエステル樹脂(94V-0), 色: 黒以外

2. 文字の形状、大きさ、および位置については、大略を示すものであり、
詳細を示すものではありません。

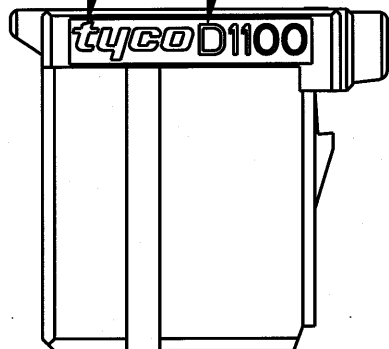
1. MATERIAL: GLASS FILLED THERMO PLASTIC POLYESTER(94V-0)
COLOR: EXCLUDING BLACK

2. THE SHAPE, SIZE AND POSITION OF THE CHARACTER
SHOW THE OUTLINE.
THEY DON'T SHOW DETAILS.

CIRCUIT NO

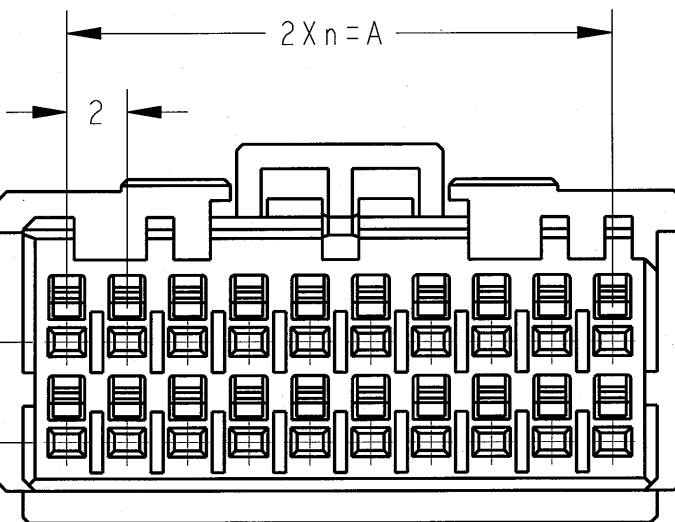
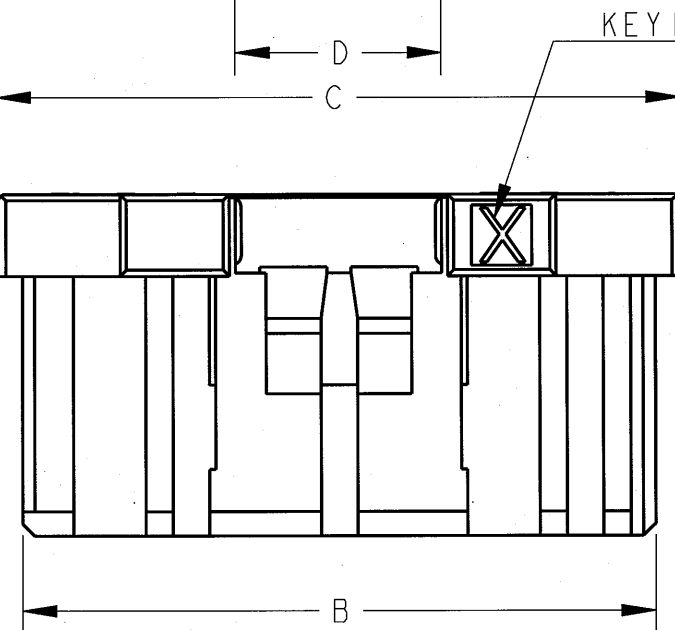
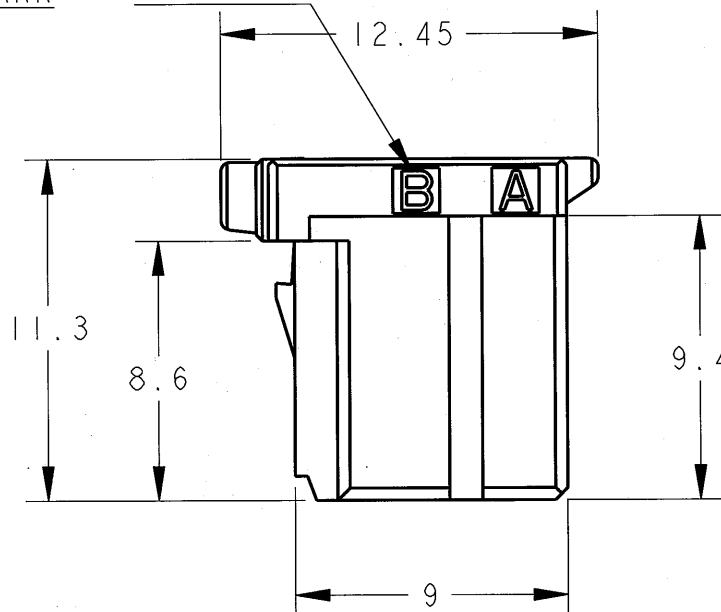
LOGO MARK

SERIES CODE



KEYING MARK

ROW ID



20POS(X-KEY) : *-2040555-0

18	X	8	16.0	18.9	20.6	8.1	YELLOW	3-2040555-9
18	X	8	16.0	18.9	20.6	8.1	NATURAL	1-2040555-9
20	X	9	18.0	20.9	22.6	6.8	RED	5-2040555-0
20	X	9	18.0	20.9	22.6	6.8	YELLOW	3-2040555-0
20	X	9	18.0	20.9	22.6	6.8	NATURAL	1-2040555-0
POS	KEY	n	A	B	C	D	COLOR	PART NO

THIS DRAWING IS A CONTROLLED DOCUMENT FOR TYCO ELECTRONICS CORPORATION
IT IS SUBJECT TO CHANGE AND THE CONTROLLING ENGINEERING ORGANIZATION
SHOULD BE CONTACTED FOR THE LATEST REVISION.

DIMENSIONS:
単位: 耗
mm

TOLERANCES UNLESS
OTHERWISE SPECIFIED:

一般公差	±0.3, ±5°
0-PLC	±
1-PLC	±0.1
2-PLC	±0.02
3-PLC	±0.005
4-PLC	±0.0005
ANGLES	±

MATERIAL
材料

FINISH
仕上



DWN 15JUL2008

M. MAEBASHI

CHK 15JUL2008

T. KUDO

APVD 15JUL2008

S. MANABE

PRODUCT SPEC
製品規格

108-78268, 78298

APPLICATION SPEC
取付適用規格

114-5377

WEIGHT

NAME

名称

108-78268, 78298

114-5377

114-5377

114-5377

114-5377

114-5377

114-5377

114-5377

114-5377

114-5377

114-5377

114-5377

114-5377

114-5377

Tyco Electronics Corporation
Kawasaki, Japan

DYNAMIC D1100D 2.0mmPITCH
REC HSG COLOR
4-20POS

SIZE	CAGE CODE	DRAWING NO 番号	RESTRICTED TO
A3	00779	C=2040555	-

CUSTOMER DRAWING

SCALE
尺度

4:1

SHEET

1

OF

2

REV

C

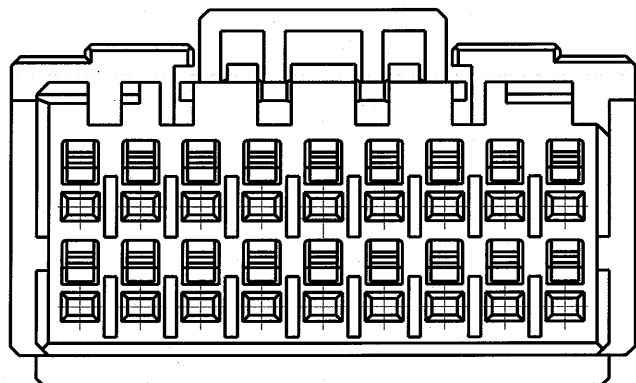
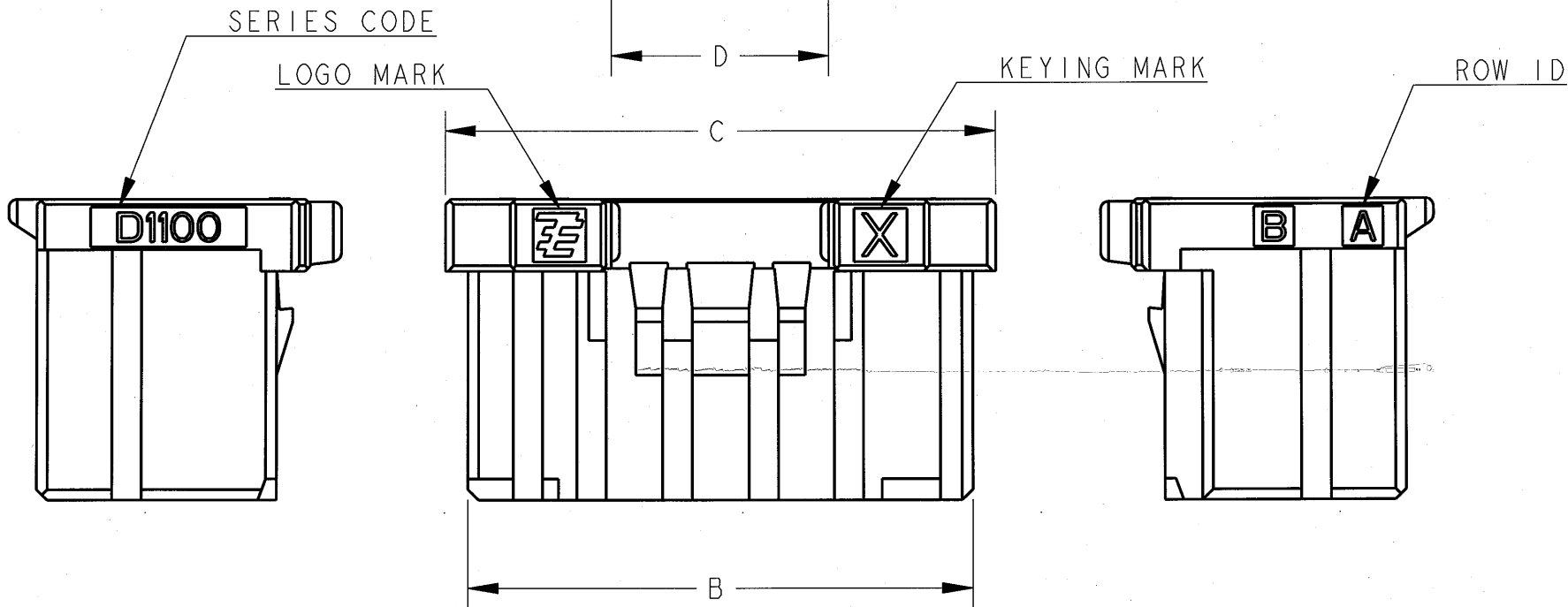
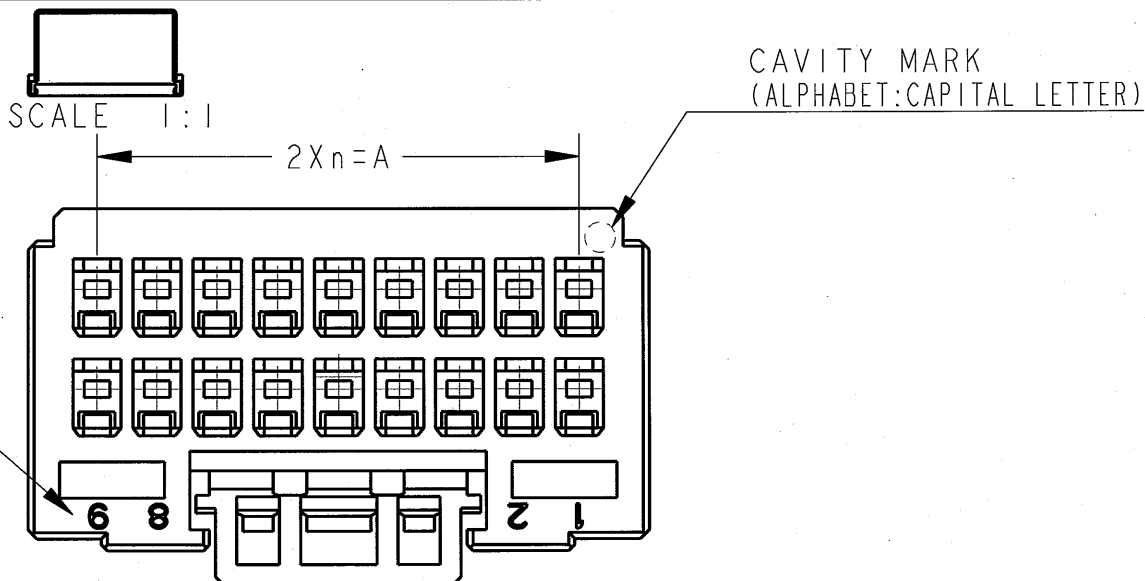
THIS DRAWING IS UNPUBLISHED.

RELEASED FOR PUBLICATION

20

© COPYRIGHT 20 BY TYCO ELECTRONICS CORPORATION. ALL RIGHTS RESERVED.

LOC	DIST	REVISIONS					
J	-	P	LTR	DESCRIPTION	DATE	DWN	APVD
				SEE SHEET 1 OF 2			



18POS(X-KEY) : *-2040555-9

THIS DRAWING IS A CONTROLLED DOCUMENT FOR TYCO ELECTRONICS CORPORATION IT IS SUBJECT TO CHANGE AND THE CONTROLLING ENGINEERING ORGANIZATION SHOULD BE CONTACTED FOR THE LATEST REVISION.

DIMENSIONS:		TOLERANCES UNLESS OTHERWISE SPECIFIED:	
mm			
	0 PLC	±	
	1 PLC	±	
	2 PLC	±	
	3 PLC	±	
	4 PLC	±	
	ANGLES	±	
MATERIAL	FINISH		

SEE SHEET 1 OF 2

DWN	SEE SHEET 1
CHK	SEE SHEET 1
APVD	SEE SHEET 1
PRODUCT SPEC	-
APPLICATION SPEC	-
WEIGHT	-

Tyco Electronics Corporation Kawasaki, Japan	
NAME DYNAMIC D1100D 2.0mmPITCH REC HSG COLOR 4-20POS	
SIZE	CAGE CODE
A3	00779
DRAWING NO	RESTRICTED TO
C-2040555	-

CUSTOMER DRAWING SCALE 4:1 SHEET 2 OF 2 REV C

D

C

B

A

单击下面可查看定价，库存，交付和生命周期等信息

[>>TE Connectivity\(泰科\)](#)